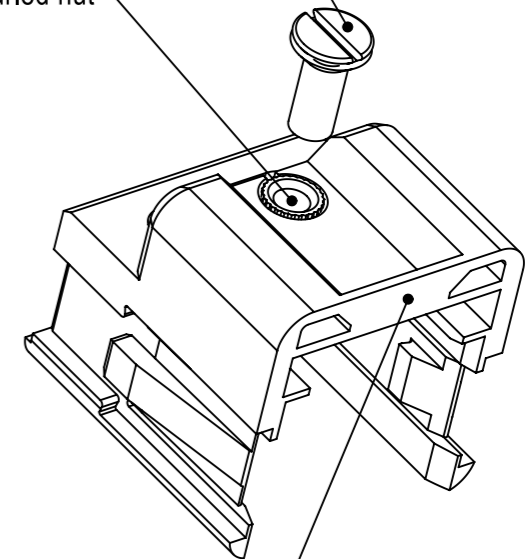



The adapter is delivered with screw + seal

Hole with knurled nut



Note: Cut this little wall if the adapter will be inserted to the Han@3A housing from the mating side.

Screwing torque: 0,5 Nm

	All rights reserved Department EC PD - FR HARTING Electronics GmbH D-32339 Espelkamp	All Dimensions in mm Original Size DIN A3		Scale 2:1	Free size tol.	Ref. Sub.
		Created by DOUGE	Inspected by BAGDIKIAN	Standardisation HOFFMANN	Date 2013-08-26	State Final Release
		Title Han3A RJ45 PFT HIFF adapter				Doc-Key / ECM-Nr. 100193491/UGD/001/A 50000065493
		Type TB	Number 09455150024		Rev. A	Page 1/1