

THIS DRAWING IS UNPUBLISHED.

RELEASED FOR PUBLICATION

20

© COPYRIGHT 20 BY -

ALL RIGHTS RESERVED.

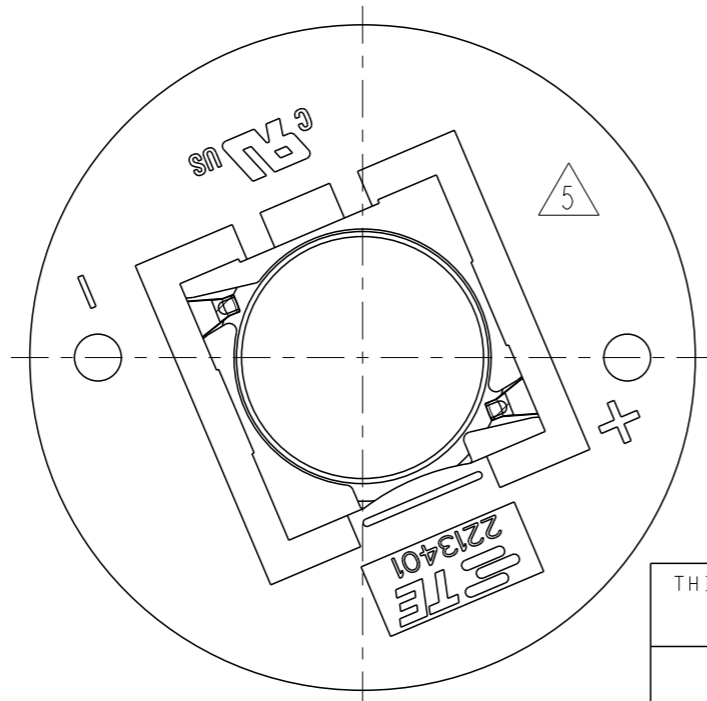
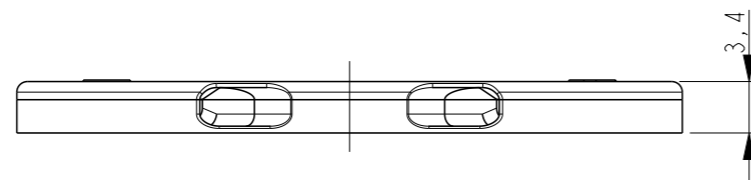
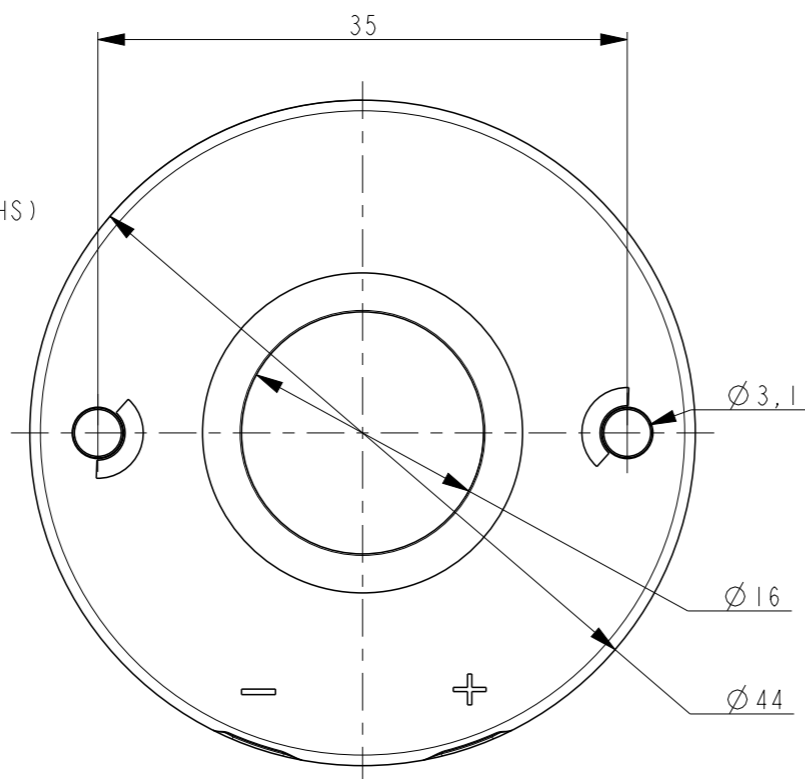
REVISIONS

P	LTR	DESCRIPTION	DATE	DWN	APVD
	B	ECR-16-014667	17OCT2016	RK	MvE
	B1	ECR-16-017027	01DEC2016	RK	MvE
	B2	ECR-17-002648	24FEB2017	RK	MvE
	C	REVISED PER ECR-17-005513	13APR2017	SK	MvE

NOTES:

- MATERIALS:
HOUSING: GLASS FILLED PBT
HALOGEN FREE FLAME RETARDANT,
COLOR : NATURAL/WHITE
CONTACTS: SILVER PLATED COPPER ALLOY
- FOR SOLID AND STRANDED WIRE AWG 22-18
- COMPLIES WITH DIRECTIVE 2002/95/EC (ROHS)
- M3 SCREW TO BE USED FOR MOUNTING

5 DATE CODE YY-WW-D ANY WHERE EXCEPT OVER LOGO OR +/- SIGN.



M3 SCREW HOLES

WIRE ENTRANCE

SCALE 3:2

LED CLAMPING FEATURE

LED PRESSURE CONTACTS

2213401-1 AS SHOWN
LUMAWISE LED HOLDER Z50 LOW PROFILE

LUMAWISE LED HOLDER Z50 STANDARD PROFILE 1818	2213401-2
LUMAWISE LED HOLDER Z50 LOW PROFILE 1818	2213401-1
DESCRIPTION	PART NO

THIS DRAWING IS A CONTROLLED DOCUMENT.

DIMENSIONS:	TOLERANCES UNLESS OTHERWISE SPECIFIED:
mm	
	0 PLC ±·
	1 PLC ±·
	2 PLC ±·
	3 PLC ±·
	4 PLC ±·
	ANGLES ±2°
MATERIAL	FINISH
-	-
-	-

DWN	28OCT2013
YASHKUMAR	
CHK	28OCT2013
M.V.ESSSEN	
APVD	29OCT2013
O.I.FIUNSE	
PRODUCT SPEC	108-133008
APPLICATION SPEC	114-32048
WEIGHT	-
CUSTOMER DRAWING	

STE TE Connectivity			
NAME LUMAWISE LED HOLDER Z50 1818			
SIZE	CAGE CODE	DRAWING NO	RESTRICTED TO
A3	-	C-2213401	-
SCALE 2:1		SHEET 1 OF 3	REV C

THIS DRAWING IS UNPUBLISHED.

RELEASED FOR PUBLICATION

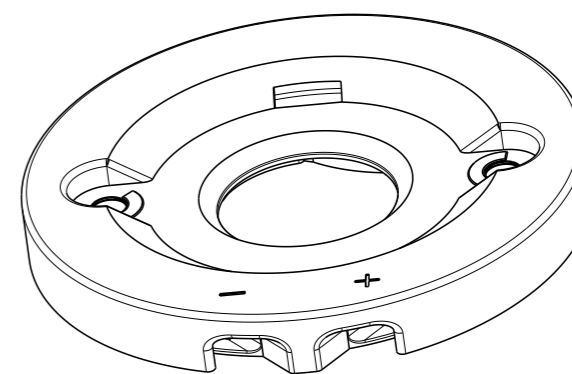
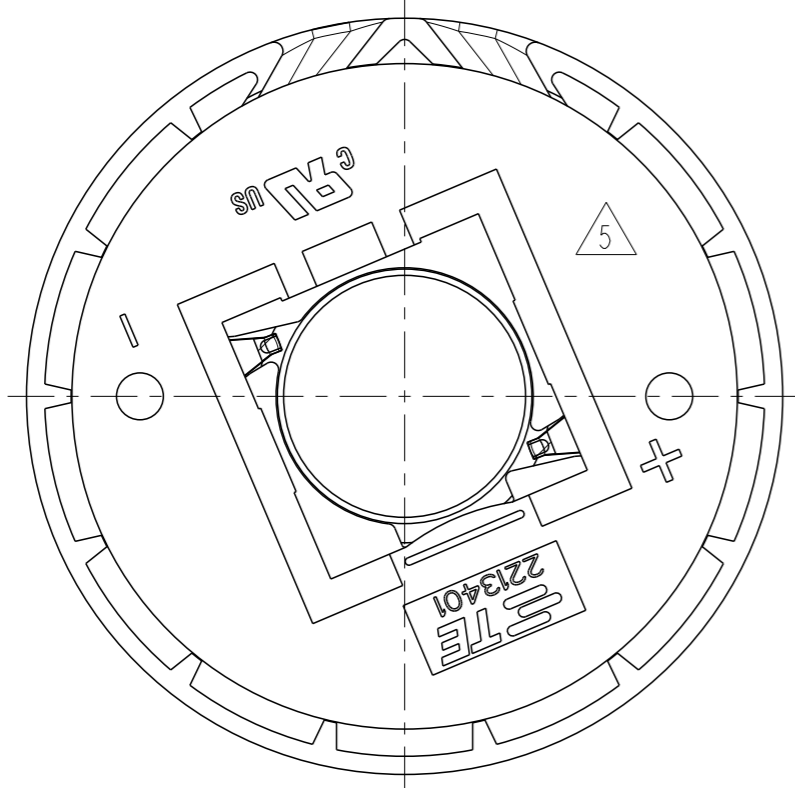
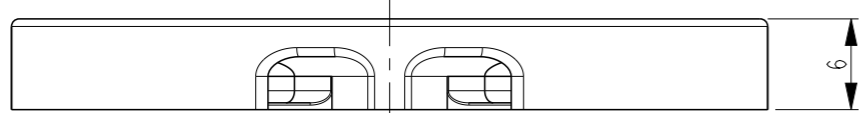
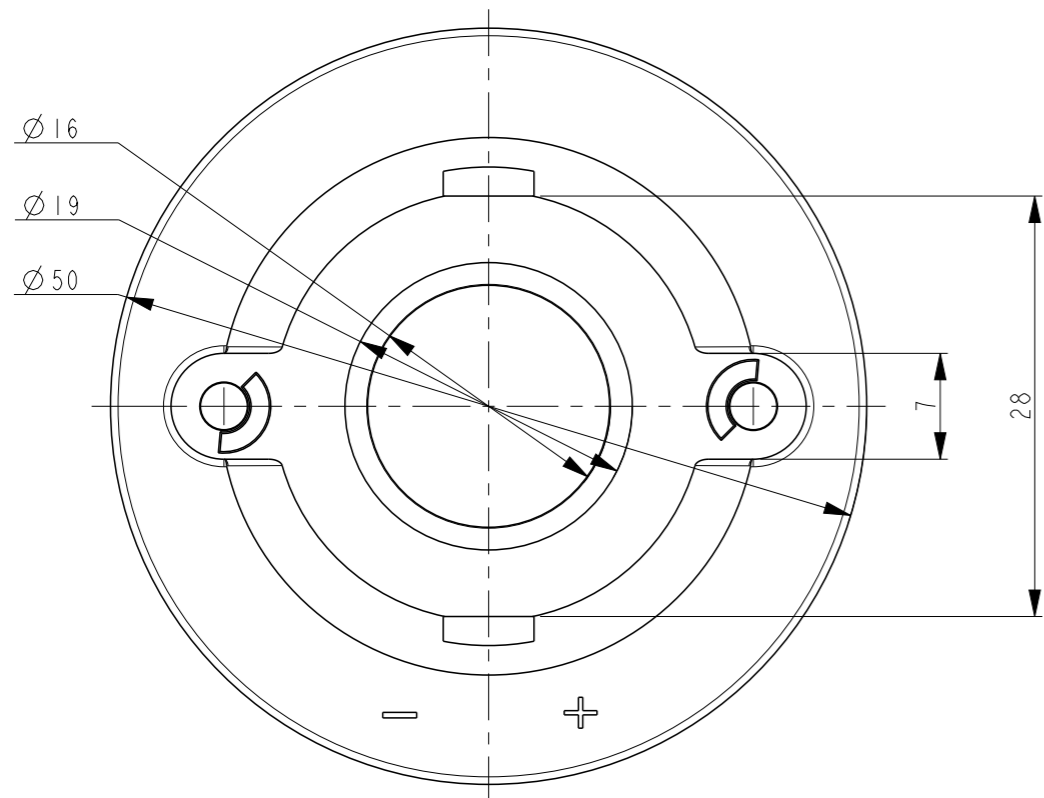
20

© COPYRIGHT 20 BY -

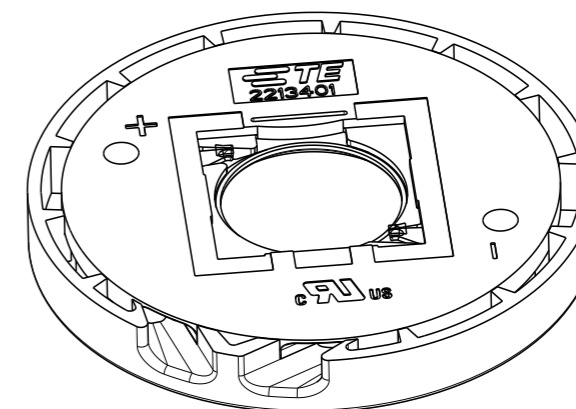
ALL RIGHTS RESERVED.

REVISIONS

P	LTR	DESCRIPTION	DATE	DWN	APVD
-	-	SEE SHEET 1	-	-	-



SCALE 3:2



2213401-2 AS SHOWN
LUMAWISE LED HOLDER Z50 STANDARD PROFILE

THIS DRAWING IS A CONTROLLED DOCUMENT.

DIMENSIONS: mm	
MATERIAL -	

TOLERANCES UNLESS OTHERWISE SPECIFIED:	
0 PLC	±·
1 PLC	±·
2 PLC	±·
3 PLC	±·
4 PLC	±·
ANGLES	±2°
FINISH -	

DWN	28OCT2013
YASHKUMAR	
CHK	28OCT2013
M.V.ESSEN	
APVD	29OCT2013
O.I.FIJNSE	
PRODUCT SPEC	108-133008
APPLICATION SPEC	114-32048
WEIGHT	-
CUSTOMER DRAWING	

TE Connectivity		NAME		RESTRICTED TO
		LUMAWISE LED HOLDER Z50 1818		
SIZE	CAGE CODE	DRAWING NO	-	
A3	-	C-2213401	-	
SCALE		SHEET	OF	REV
2:1		2	3	C

THIS DRAWING IS UNPUBLISHED.

RELEASED FOR PUBLICATION

20

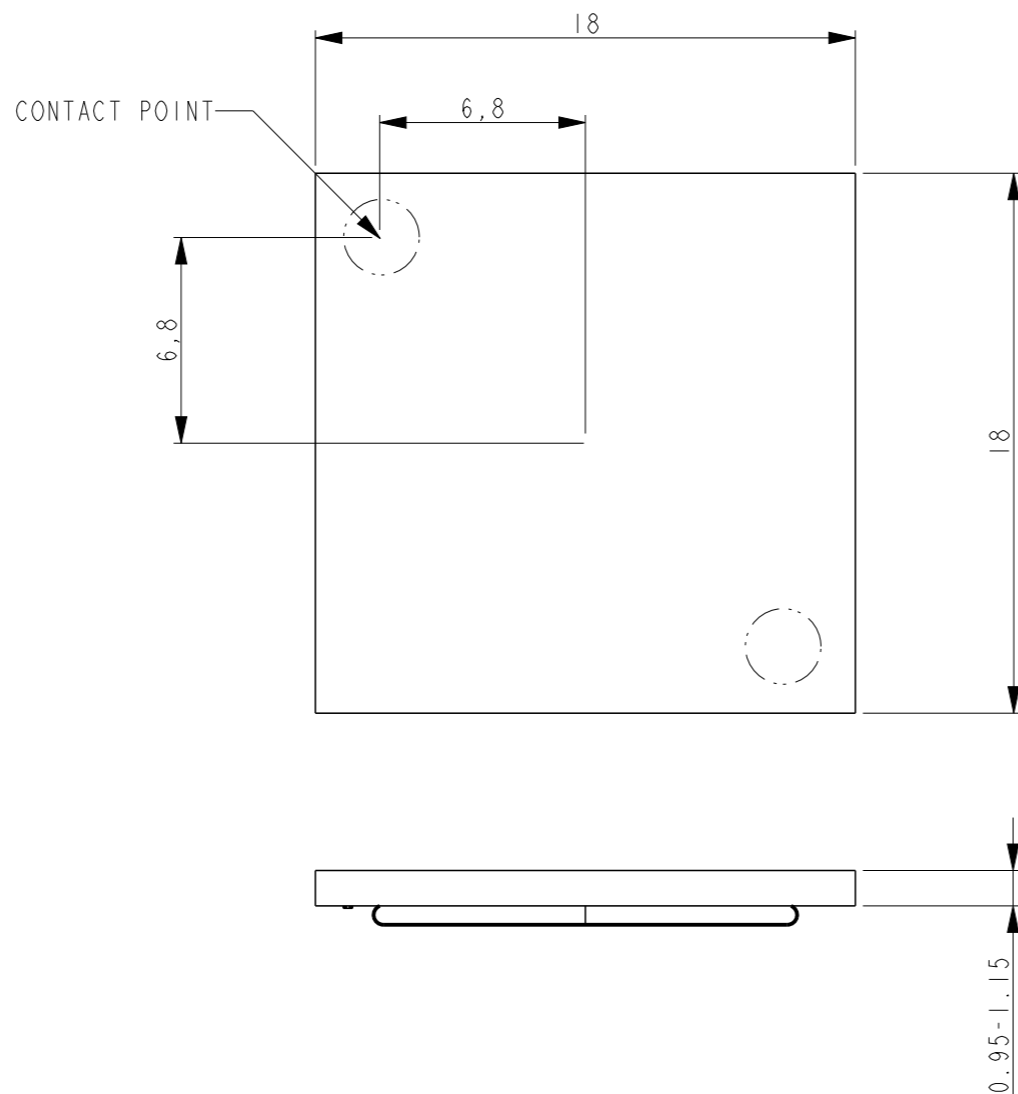
© COPYRIGHT 20 BY -

ALL RIGHTS RESERVED.

REVISIONS

P	LTR	DESCRIPTION	DATE	DWN	APVD
	-	SEE SHEET 1	-	-	-

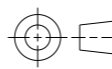
THE SKETCH BELOW IS SHOWING THE NOMINAL LED COB DIMENSIONS TO MATCH WITH THE Z50 LED HOLDER 1818 FOR TECHNICAL DETAILS ABOUT A PROPER MATCH WITH A SPECIFIC LED COB ARRAY PLEASE CONTACT A REPRESENTATIVE AT TE-CONNECTIVITY



FOLLOWING LED TYPES ARE RELEASED FOR THIS HOLDER	DATA SHEET	REVISION
BridgeLux H12	DS 100	
Cree CXA 1812	CLD-DS 74	
Cree CXA 1820	CLD-DS 78	
Cree CXB 1830	CLD-DS121	Rev 1B

THIS DRAWING IS A CONTROLLED DOCUMENT.

DIMENSIONS: mm



TOLERANCES UNLESS OTHERWISE SPECIFIED:

0 PLC	±.
1 PLC	±.
2 PLC	±.
3 PLC	±.
4 PLC	±.
ANGLES	±2°

MATERIAL -

FINISH -

DWN 28OCT2013

YASHKUMAR

CHK 28OCT2013

M.V.ESSEN

APVD 29OCT2013

O.I.FIJNSE

PRODUCT SPEC

108-133008

APPLICATION SPEC

114-32048

WEIGHT -

STE TE Connectivity

NAME LUMAWISE LED HOLDER Z50 1818

SIZE	CAGE CODE	DRAWING NO	RESTRICTED TO
A3	-	C-2213401	-

CUSTOMER DRAWING

SCALE 2:1 SHEET 3 OF 3 REV C