

THIS DRAWING IS UNPUBLISHED.

RELEASED FOR PUBLICATION

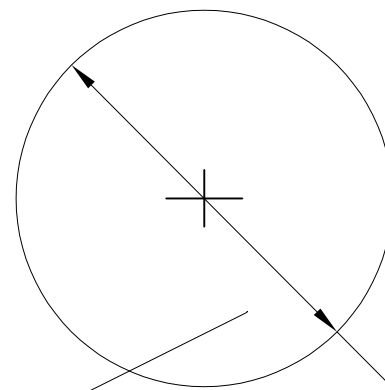
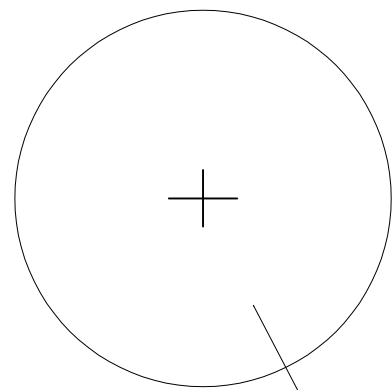
-. - .

REVISIONS

© COPYRIGHT - By -


ALL RIGHTS RESERVED.

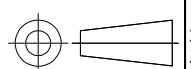
P	LTR	DESCRIPTION	DATE	DWN	APVD
	A	INITIAL RELEASE PER DCR # R001021	19APR'00	PG	PMG
	NE	REVISED AS PER ECO-16-012196	05AUG'16	PV	MP



ø21mm NOM.

FILTER COATING ON BOTH SIDES

PART NO.	DESCRIPTION
431468-000	AES-IR1759-100-FILTER-DUL
DWN P. VU 05AUG2016	 TE Connectivity IR-1759-100 DARK DOUBLE COATED FILTER
CHK N. PRZYBYLSKA 05AUG2016	
APVD M. POPE 05AUG2016	
PRODUCT SPEC	
APPLICATION SPEC	NAME
WEIGHT 0	SIZE A3
CUSTOMER DRAWING	CAGE CODE -
	DRAWING NO C-IR-1759-100
	RESTRICTED TO -
	SCALE NTS
	SHEET 1 OF 1
	REV NE

THIS DRAWING IS A CONTROLLED DOCUMENT.	
DIMENSIONS: mm	TOLERANCES UNLESS OTHERWISE SPECIFIED:
	0 PLC ± -
	1 PLC ± -
	2 PLC ± -
	3 PLC ± -
	4 PLC ± -
	ANGLES ± -
MATERIAL QUARTZ-SILICA	FINISH -