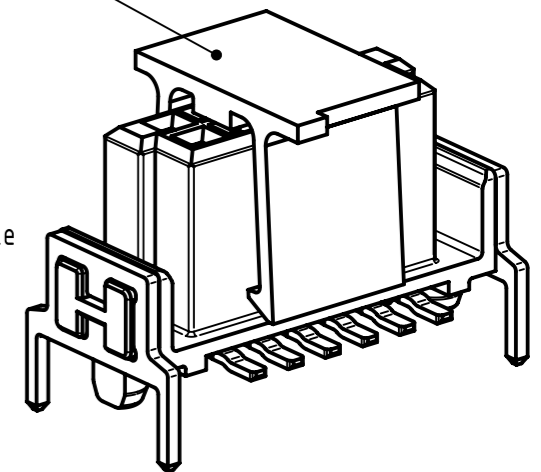


Part number	no. of contacts	A	B	C	D	E	G	H
1521006x401xxx	6	2,54	6,96	8,89	5,56	4,56	1,19	8,06
1521012x401xxx	12	6,35	10,77	12,70	9,37	8,37	2,46	11,87
1521016x401xxx	16	8,89	13,31	15,24	11,91	10,91	3,73	14,41
1521020x401xxx	20	11,43	15,85	17,78	14,45	13,45	5,00	16,95
1521026x401xxx	26	15,24	19,66	21,59	18,26	17,26	7,54	20,76
1521032x401xxx	32	19,05	23,47	25,40	22,07	21,07	8,81	24,57
1521040x401xxx	40	24,13	28,55	30,48	27,15	26,15	11,35	29,65
1521050x401xxx	50	30,48	34,90	36,83	33,50	32,50	15,16	36,00
1521068x401xxx	68	41,91	46,33	48,26	44,93	43,93	20,24	47,43
1521080x401xxx	80	49,53	53,95	55,88	52,55	51,55	24,05	55,14
1521100x401xxx	100	62,23	66,65	68,58	65,25	64,25	30,40	67,75

Packaging	
000	tape & reel with 220pcs per reel
333	samples

performance level	
2	PL1:>500 mating cycles
6	PL2:>250 mating cycles
5	min 0,06µm Au over 0,7+0,2µm PdNi

Pick and place pad 6,4±0,1 x 4,5±0,1



All Dimensions in mm Original Size DIN A3		Scale 5:1	Free size tol.	Ref.	
All rights reserved Department EC PD - CN		Created by ZHUANGJ	Inspected by LUOK	Standardisation HOFFMANN	Date 2016-06-28
HARTING Electronics GmbH D-32339 Espelkamp		Title har-flex THR straight female 6,25mm			State Final Release
		Type TB	Number 1521XXXX401XXX		Doc-Key / ECM-Nr. 100633103/UGD/000/B 500000105957
				Rev. B	Page 1/1

Find further technical information on the drawing DS 15212110200