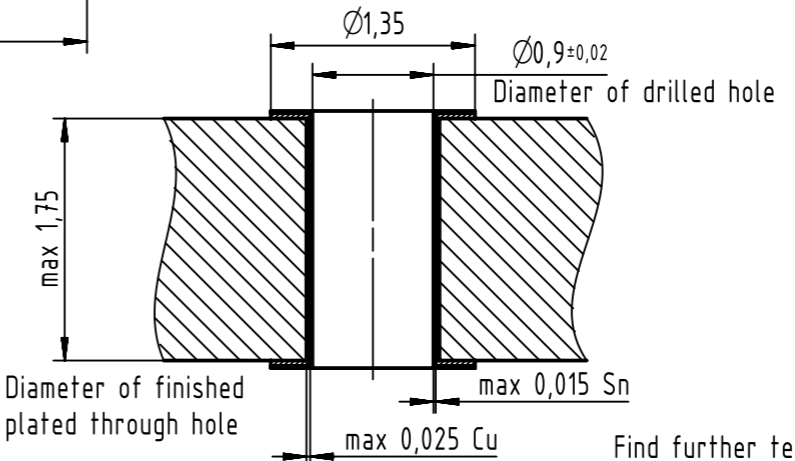
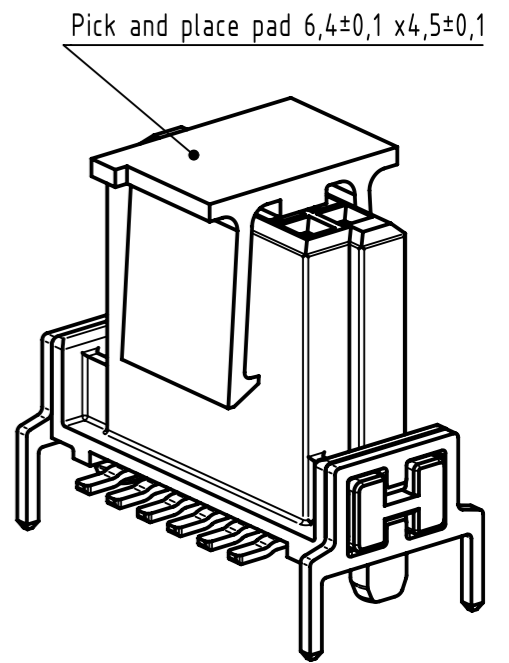


Part number	no. of contacts	A	B	C	D	E	G	H
1522006x401xxx	6	2,54	6,96	8,89	5,56	4,56	1,19	8,06
1522012x401xxx	12	6,35	10,77	12,70	9,37	8,37	2,46	11,87
1522016x401xxx	16	8,89	13,31	15,24	11,91	10,91	3,73	14,41
1522020x401xxx	20	11,43	15,85	17,78	14,45	13,45	5,00	16,95
1522026x401xxx	26	15,24	19,66	21,59	18,26	17,26	7,54	20,76
1522032x401xxx	32	19,05	23,47	25,40	22,07	21,07	8,81	24,57
1522040x401xxx	40	24,13	28,55	30,48	27,15	26,15	11,35	29,65
1522050x401xxx	50	30,48	34,90	36,83	33,50	32,50	15,16	36,00
1522068x401xxx	68	41,91	46,33	48,26	44,93	43,93	20,24	47,43
1522080x401xxx	80	49,53	53,95	55,88	52,55	51,55	24,05	55,14
1522100x401xxx	100	62,23	66,65	68,58	65,25	64,25	30,40	67,75

Packaging	
000	tape & reel with 220pcs per reel
333	samples

performance level	
2	PL1:>500 mating cycles
6	PL2:>250 mating cycles
5	min 0,06µm Au over 0,7+0,2µm PdNi



Find further technical information on the drawing DS 15212110200

	All Dimensions in mm Original Size DIN A3	Scale 5:1	Free size tol.	Ref.
	All rights reserved Department EC PD - CN	Created by ZHUANGJ	Inspected by LUOK	Standardisation HOFFMANN
HARTING Electronics GmbH D-32339 Espelkamp	Title har-flex THR straight female 9,05mm			Date 2016-06-28
	Type TB	Number 1522XXXX401XXX	State Final Release	Doc-Key / ECM-Nr. 100633265/UGD/000/C 500000105957
			Rev. C	Page 1/1