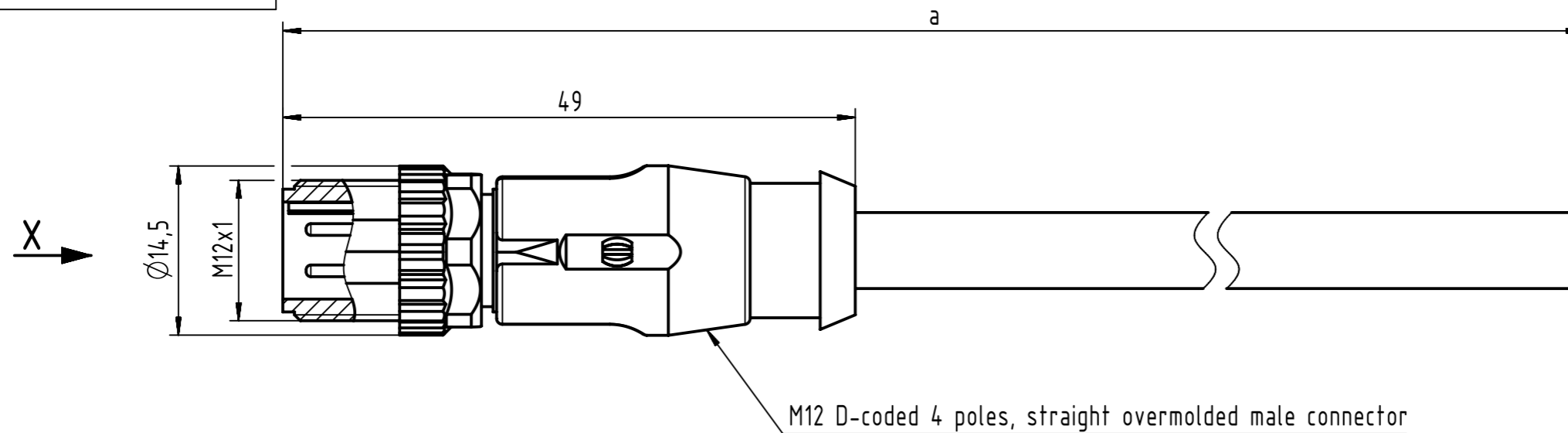
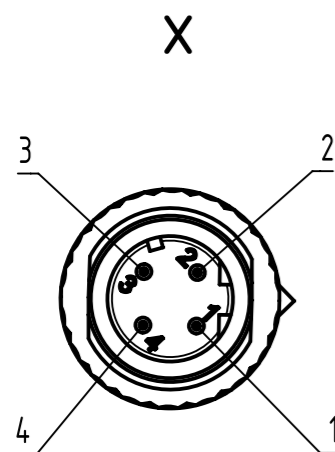


Connector Location A

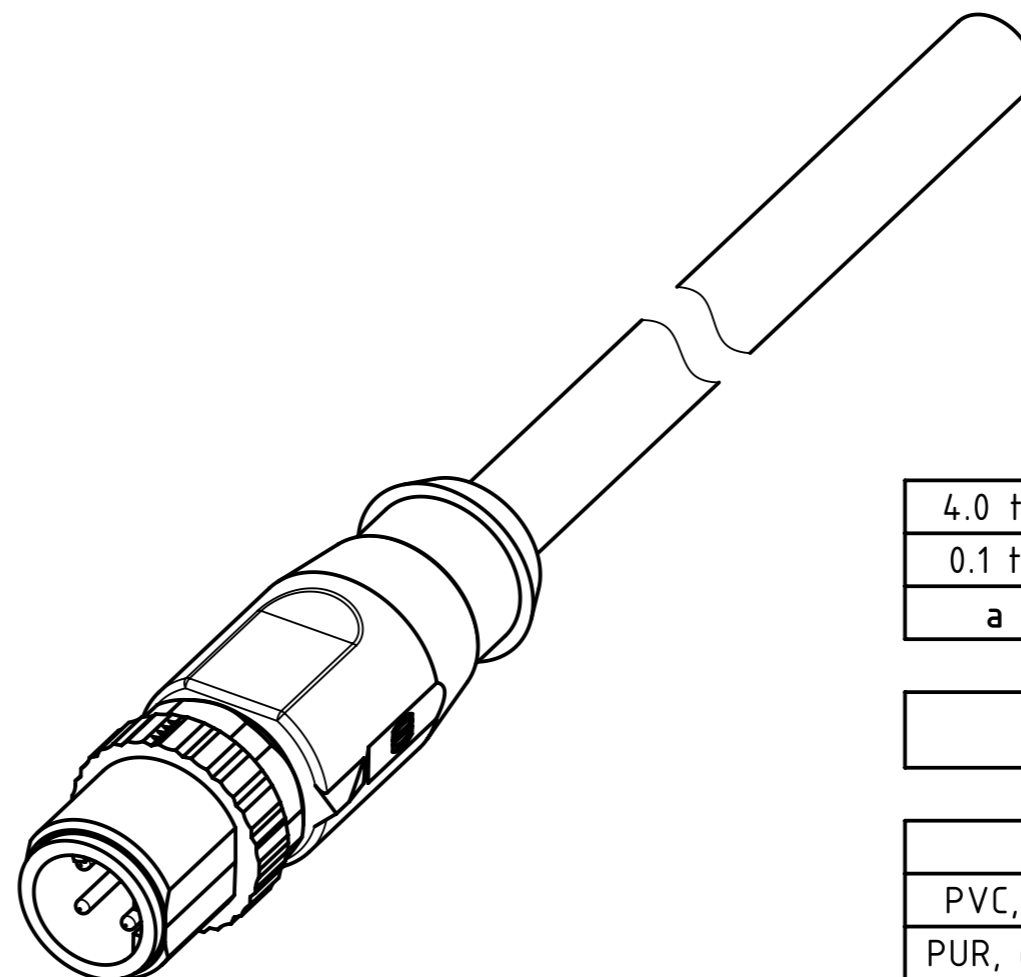
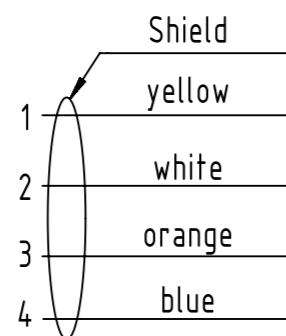
Connector Location B



M12 D-coded 4 poles, straight overmolded male connector



Loading-Plan:



length in "1m" step	100	XXX=000
	99	XXX=990
	.	.
	12	XXX=120
	11	XXX=110
length in "0.1m" step	10	XXX=100
	9.9	XXX=099
	9.8	XXX=098
	.	.
	0.4	XXX=004
	0.3	XXX=003
	0.2	XXX=002
	0.1	XXX=001
Step	a [m]	XXX

4.0 to 100	+1%
0.1 to 3.9	+0.04
a [m]	Tolerance

Part no.	213492004XXXXX
----------	----------------

Type of cable	XX
PVC, green, 4xAWG22/7	XX=05
PUR, green, 2x2xAWG22/7	XX=77

- Protection level: IP 65/67  
 - Temperature range: -30°C ... +70°C

All rights reserved Department HCS - RO HARTING Customised Solutions D-32427 Minden	All Dimensions in mm Tech. Character. Free size tol. According to production drawing 2016-09-05	Created by MUNTEANV	Inspected by POPESCUD	Standardisation AVRAM	Date 2016-10-18	State Final Release
	Title M12 D-coded Cable Assembly	Type TB	Number 213492004XXXXX	Doc-Key / ECM-Nr. 100588444/UGD/000/C 500000110313	Rev. C	Page 1/1