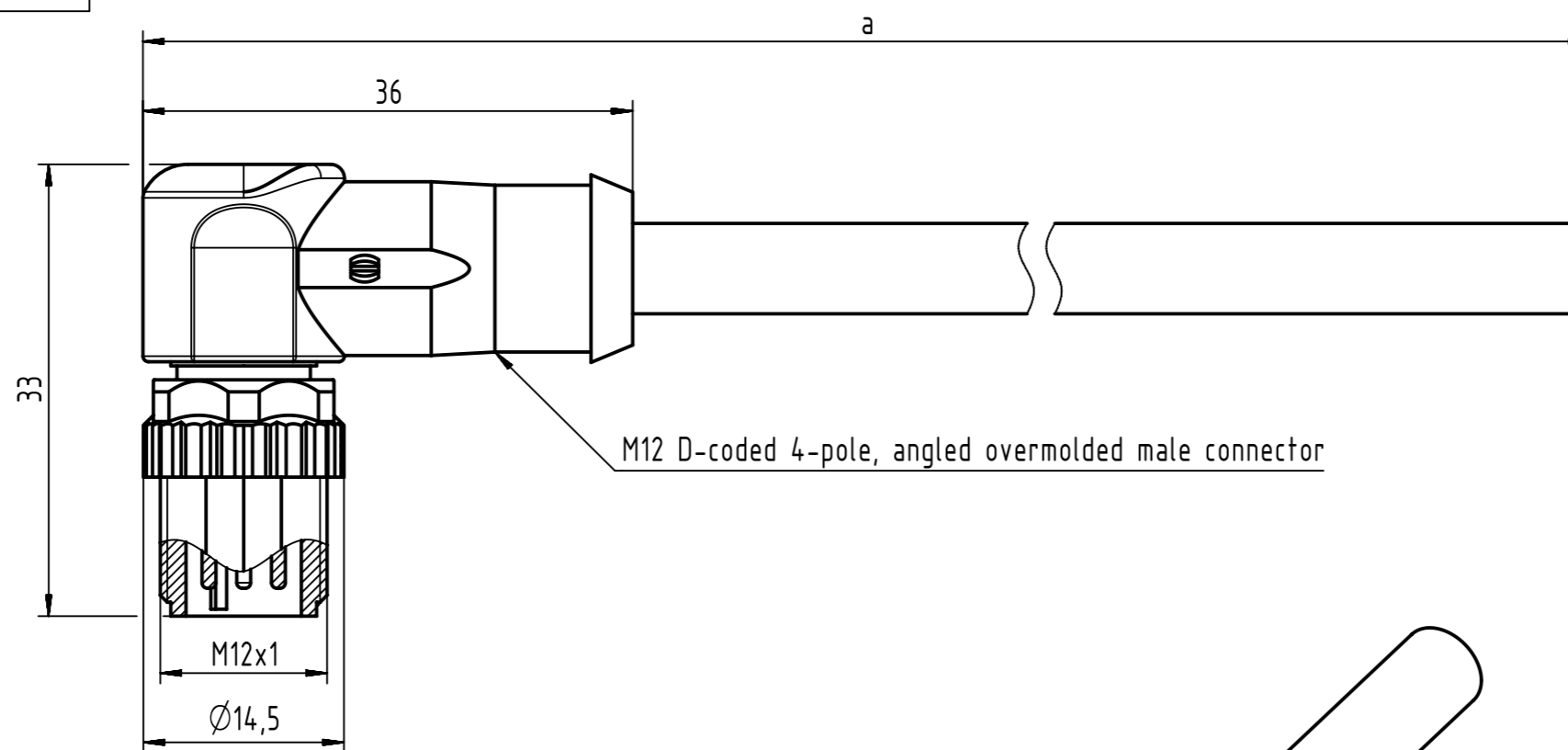


Connector Location A

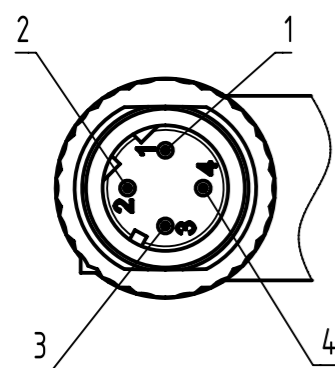
Connector Location B



M12 D-coded 4-pole, angled overmolded male connector

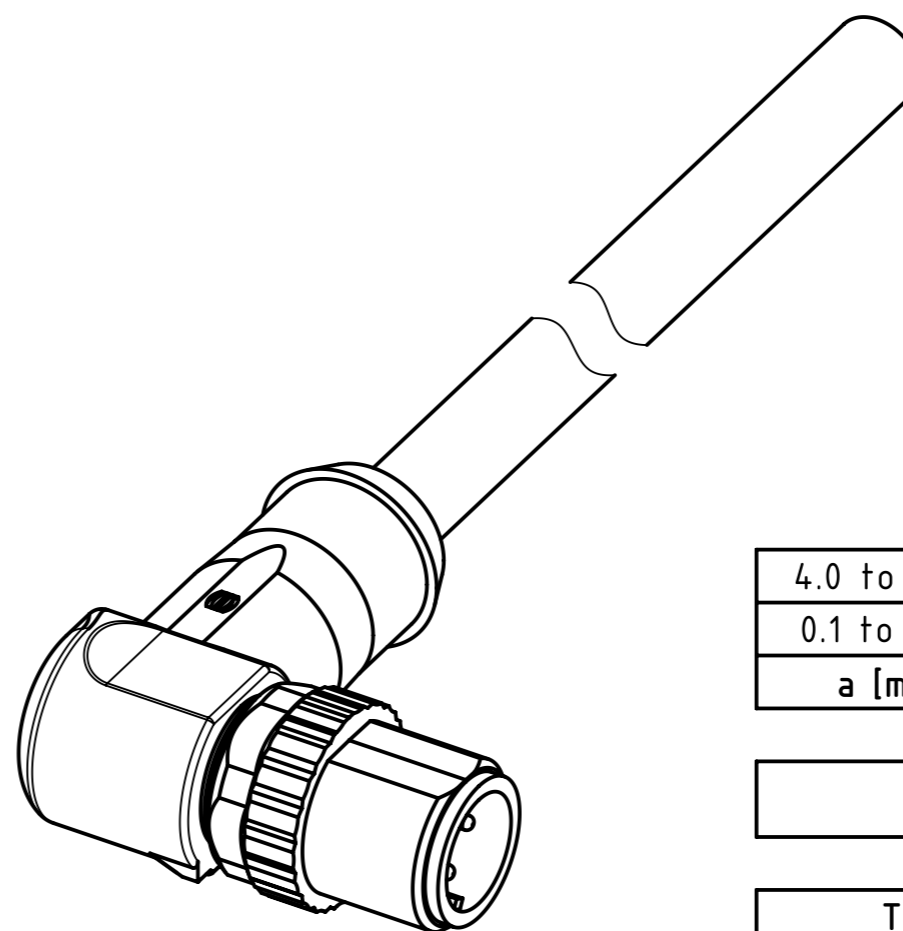
X↑

X



Loading-Plan:

Shield
1 yellow
2 white
3 orange
4 blue



4.0 to 100	+1%
0.1 to 3.9	+0.04
a [m]	Tolerance

length in "1m" step	100	XXX=000
	99	XXX=990
	.	.
	12	XXX=120
length in "0.1m" step	11	XXX=110
	10	XXX=100
	9.9	XXX=099
	9.8	XXX=098
	.	.
	0.4	XXX=004
	0.3	XXX=003
	0.2	XXX=002
	0.1	XXX=001
Step	a [m]	XXX

Part no.	213494004XXXXXX
Type of cable	XX
PVC, green, 4xAWG22/7	XX=05
PUR, green, 2x2xAWG22/7	XX=77

- Protection level: IP 65/67
 - Temperature range: -30°C ... +70°C

	All rights reserved	Created by	Inspected by	Standardisation	Date	State	
	Department HCS - RO	MUNTEANV	POPESCU	AVRAM	2016-10-18	Final Release	
HARTING Customised Solutions		Title				Doc-Key / ECM-Nr.	
D-32427 Minden		M12 D-coded Cable Assembly				100588495/UGD/000/C 500000110313	
		Type	Number		Rev.	Page	
		TB	213494004XXXXXX		C	1/1	