

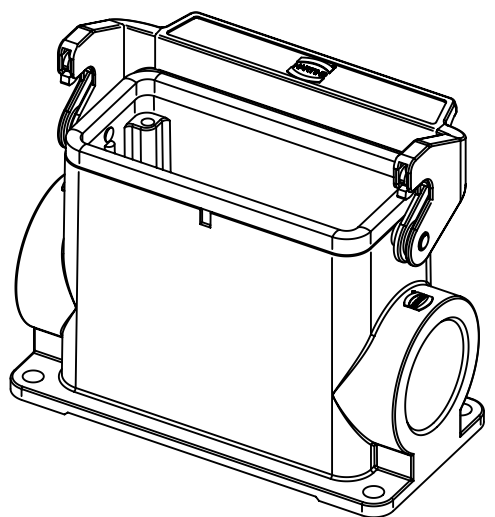
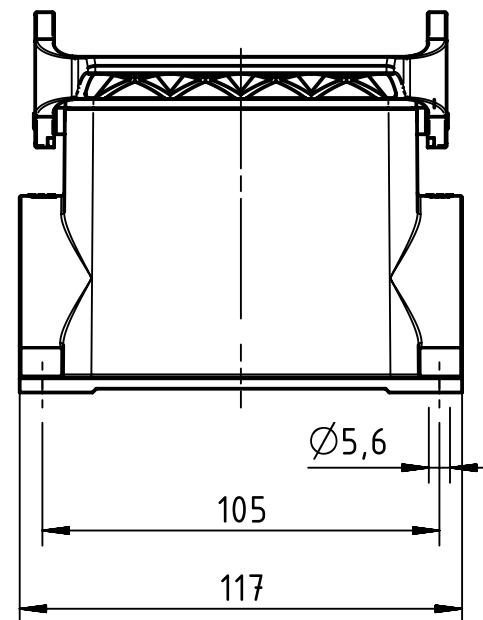
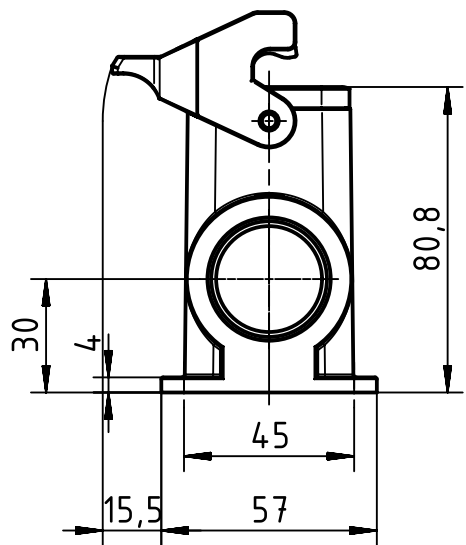
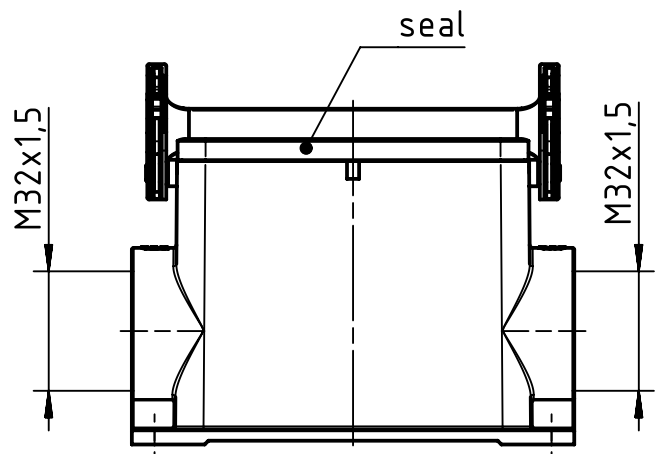
1 2 3 4 5 6


A

B

C

D



	All rights reserved Department EL PD - DE		Created by FINKEV		Inspected by BERGHORN		Standardisation SCHMIDTM		Date 2016-06-01		State Final Release		
	HARTING Electric GmbH & Co. KG D-32339 Espelkamp		Title Han 16B-HMC-asg2-LB-M32						Doc-Key / ECM-Nr. 100534269/UGD/002/B 500000104878		Rev. B		Page 1/1
All Dimensions in mm Original Size DIN A4		Scale 1:2		Free size tol.				Ref.		Sub.			