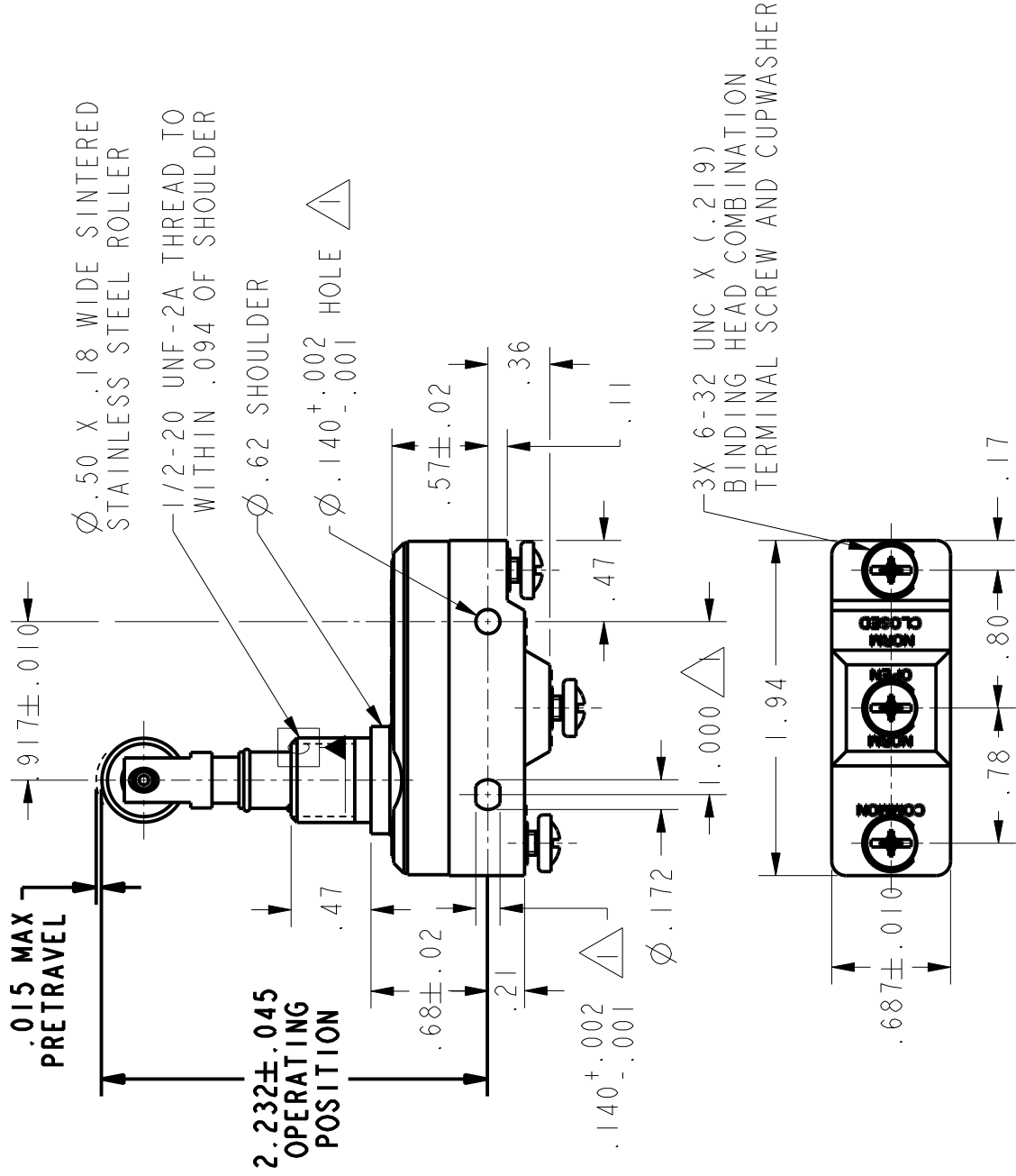


CATALOG LISTING	
BZ-2RN784	
PAGE 1 OF 1	
12	ISSUE



NOTES
MOUNTING HOLES WILL ACCEPT PINS OR SCREWS OF Ø .139 MAX ON 1.000 ± .002 CENTERS

ANSI Y14.5M-1982 APPLIES

THIS DRAWING COVERS A PROPRIETARY ITEM AND IS THE PROPERTY OF MICRO SWITCH. A DIVISION OF HONEYWELL. THIS DRAWING IS NOT TO BE COPIED OR USED WITHOUT THE APPROVAL OF MICRO SWITCH.



CHARACTERISTICS	ELECTRICAL DATA		SCALE FULL	DO NOT SCALE PRINT	
	CONTACT ARRANGEMENT				
OPERATING FORCE - - - - - 9-13 OZ	S P D T		UNLESS OTHERWISE SPECIFIED TOLERANCES ARE	ONE PLACE (.0)	
RELEASE FORCE - - - - - 4 3/4 OZ MIN	15A-125, 250 OR 480 VAC, 2A-600 VAC 1/8HP-125 VAC; 1/4HP-250 VAC CODE L74 1/2A-125 VDC; 1/4A-250 VDC				TWO PLACE (.00)
DIFFERENTIAL TRAVEL - - .0004-.0020	L288 L315 L306				THREE PLACE (.000)
OVERTRAVEL - - - - - .219 MIN	16A 250V ~ T85 5E4		ANGLES	±	
			SCALE	WEIGHT	

TRF	05MAR02
TRF	05MAR02

SAV	05MAR02
CHECK	RJ
CHECK	RJ
CHECK	05MAR02
CHECK	18 FEB 06
CHECK	18 FEB 06
REVISIONS	
A	204935
	TRF
	05MAR02
B	0018449
	DVM
	18FEB06

