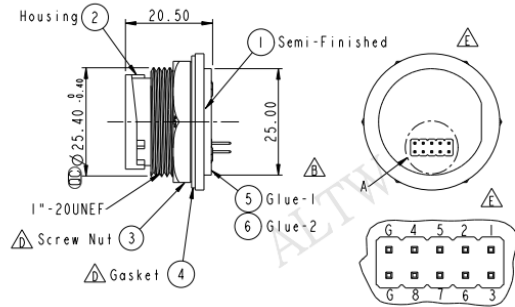
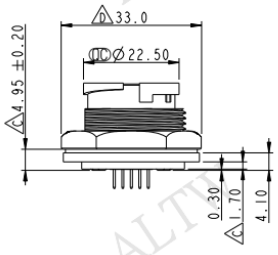
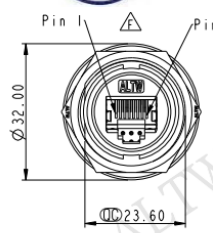
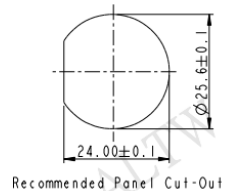
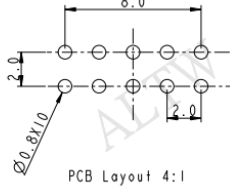


REV.	ECN NO.	DATE	SIGN	DESCRIPTION
D	LE31490115	2014/08/26	Feng_Li	Change Nut and Gasket
E	LEN1570125	2015/06/01	Jason.Yu	Add Wafer Pin View
F	LEN15A0235	2015/10/05	Ruru	Change Logo



ALTW
CONFIDENTIAL
2015-10-05
R&D DEPT.

ALTW
DCC DEPT.
CONFIDENTIAL
2015.10.12
ISSUED



- Notes:
- ⌀ Important Dimension.
 - Waterproof Rate: IP67.
 - RJ45 Sheet: Nickel Plated.
 - Wafer: Black.
 - RJ45 Insret: Black.
 - Liquid Glue: Black.
 - Screw Nut: Nylon+GF, Black.
 - Gasket: Silicone, Gray.
 - Use with Waterproof Cap or Dust Cap For Panel Thickness Max: 4.6mm.

UNIT: mm		TITLE			ITEM NO.	DRAWN BY	DATE
		PANEL LOCK F CONN F PIN			RJS-SEPFFP-LC7002	Ruru	2015-10-05
TOLERANCE		SCALE	SIZE	SHEET	CHECKED BY	DATE	
.X ±0.25		1:1	A4	1 of 1	Rita	2015-10-05	
.XX ±0.1		REV.	REV.		APPROVED BY	DATE	
.XXX ±0.05		F	C.4		Lisa	2015-10-05	
ANGLES ±1°		Inspection item			CUSTOMER		
		Amphenol LTW 安費諾亮泰企業股份有限公司			ALTW		
							FORM 1502-01-02A1

THIS DOCUMENT IS SUBJECT TO CHANGE WITHOUT NOTICE. IT IS CONFIDENTIAL AND A PROPERTY OF AMPHENOL LTW. DISCLOSURE TO THIRD PARTIES IS TO BE AUTHORIZED BY AMPHENOL LTW.