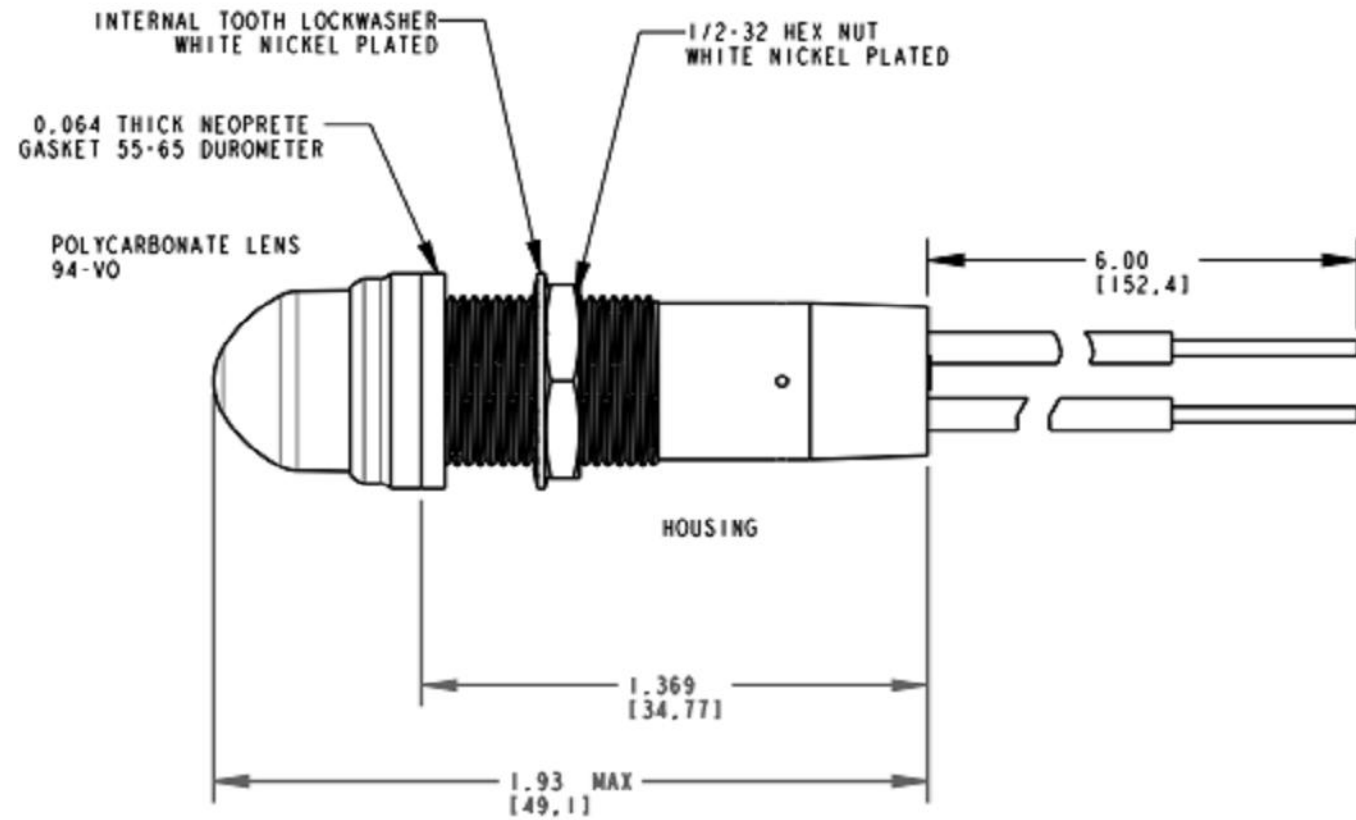
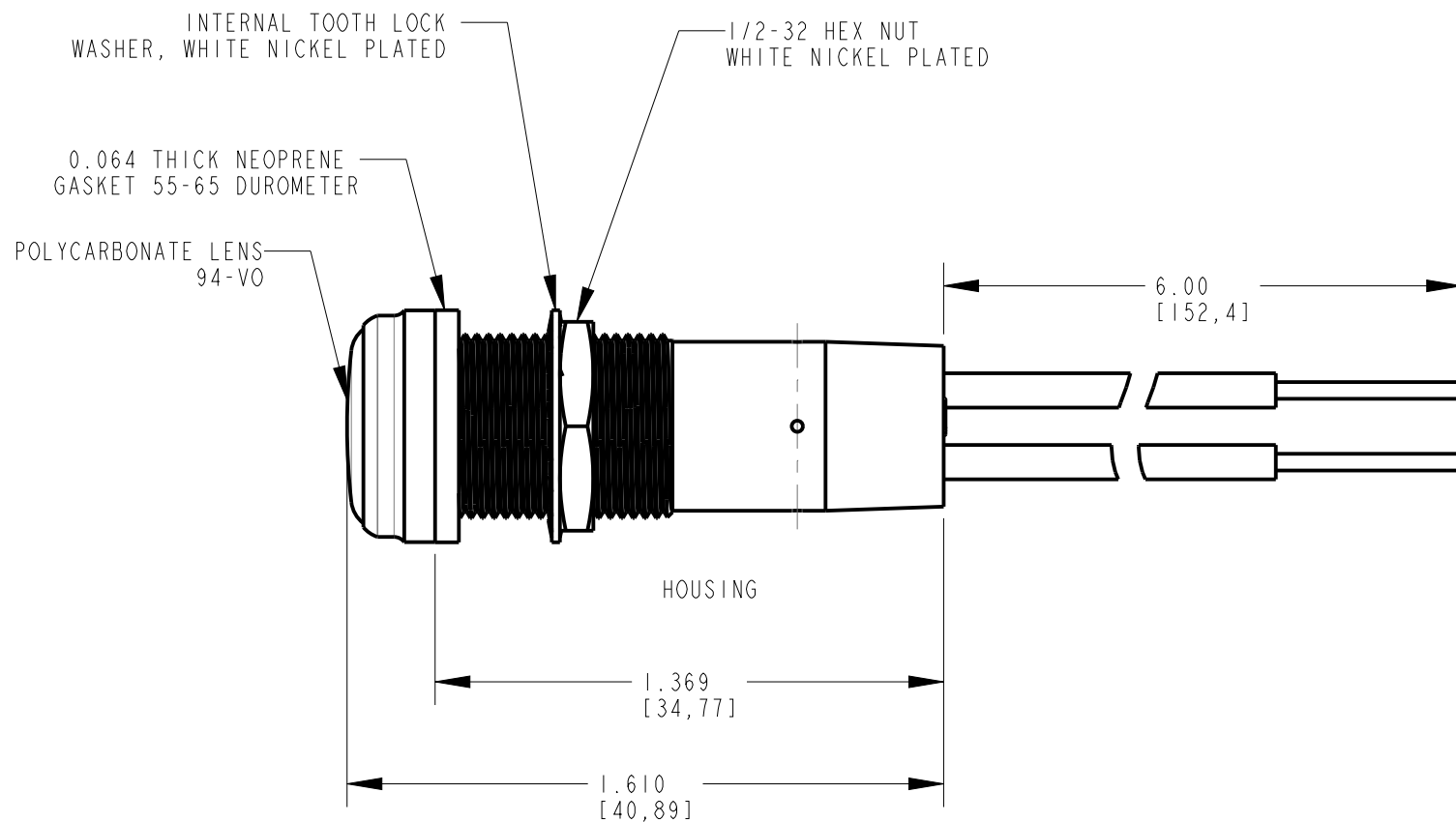


PART NUMBER	LED COLOR	NOMINAL RATING	CURRENT DRAIN	
			mA MIN (RMS)	mA MAX (RMS)
656-1103-303F	RED	12VDC	17	20
656-1104-303F	RED	24VDC	19	21.5
656-1105-303F	RED	120VAC/DC	4	6
656-1106-303F	RED	28VDC	18	20.5
656-1109-303F	RED	230VAC	2	4
656-1203-303F	GREEN	12VDC	15	17
656-1204-303F	GREEN	24VDC	18.5	21
656-1205-303F	GREEN	120VAC/DC	4	6
656-1206-303F	GREEN	28VDC	17	19
656-1209-303F	GREEN	230VAC	2	4
656-1303-303F	YELLOW	12VDC	17	20
656-1304-303F	YELLOW	24VDC	19	21.5
656-1305-303F	YELLOW	120VAC/DC	4	6
656-1306-303F	YELLOW	28VDC	18	20.5
656-1309-303F	YELLOW	230VAC	2	4
656-1403-303F	BLUE	12VDC	15	17
656-1404-303F	BLUE	24VDC	18.5	21
656-1405-303F	BLUE	120VAC/DC	4	6
656-1406-303F	BLUE	28VDC	17	19
656-1409-303F	BLUE	230VAC	2	4

REV	ECN NO	REVISIONS	DRN	CKD	APP	QA	CM	DATE
A		NEW RELEASE	BP					



FOR DOME LENS STYLE, REPLACE 4TH DIGIT WITH A 3.  
(EX: 656-1103-303F WILL BE 656-3103-303F)



NOTES:

1. PRODUCT IS WATER SEALED FROM FRONT OF PANEL.
2. MOUNTING TORQUE: 5 IN-LB FOR WATERTIGHT SEAL
3. INTERNAL DIFFUSER IS INCLUDED IN ASSEMBLY.
4. FRONT MOUNTING IN 1/2 INCH CLEARANCE HOLE.

THIS DRAWING AND THE CONTENTS HEREIN ARE CONFIDENTIAL AND THE SOLE PROPERTY OF DIALIGHT. REPRODUCTION OF THIS DRAWING OR CONSTRUCTION OF ANY PARTS WITHIN THIS DRAWING ARE FORBIDDEN WITHOUT THE WRITTEN CONSENT OF DIALIGHT.

SCALE: 2.000 ALL DIM'S IN: INCHES (MM)	DRAWING NUMBER C-18287	REV A
TOLERANCES: UNLESS OTHERWISE SPECIFIED FRACTIONS: ±1/64 DECIMALS (.XX): ±.01 DECIMALS (.XXX): ±.005 DECIMALS (.XXXX): ±.0005 ANGLES: ±1°	TITLE 1/2" PMI W/LEAD	
FINISH: -	MATERIAL -	
FSCM 83330	1501 ROUTE 34 SOUTH FARMINGDALE, NJ 07727	
SHEET 1 OF 1 FAMILY TABLE:		