



Datenblatt - Fiche technique - Data sheet

**11.02.8960**



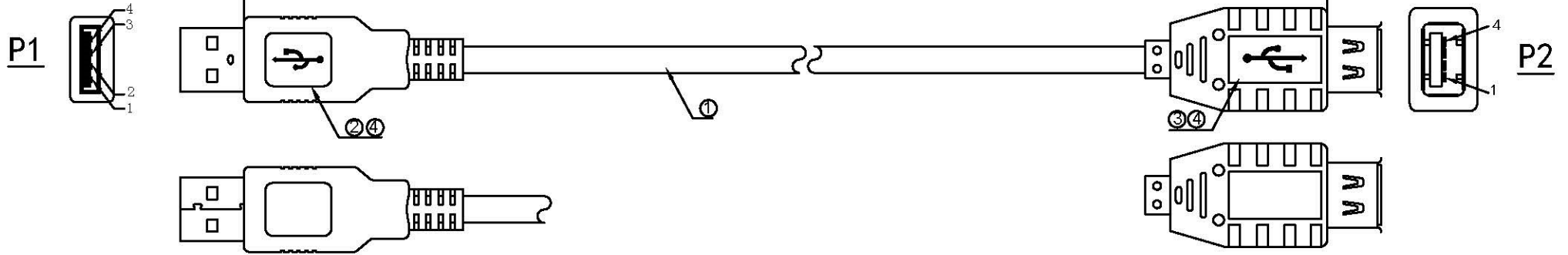
ROLINE USB 2.0 Kabel, Typ A-A, ST/BU, 3,0 m

ROLINE Câble USB 2.0 Type A-A, M/F, 3,0 m

ROLINE USB 2.0 Cable, A - A, M/F, 3.0 m

RoHS COMPLIANT

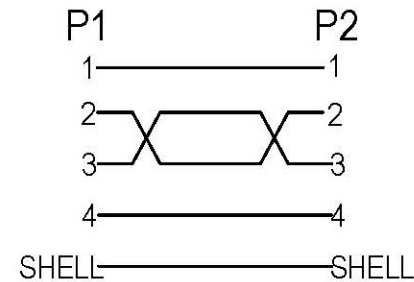
3000+60/-0MM



NOTES:

1. CABLE:UL2725 28AWG\*1P+24AWG\*2C+AB  
OD=5.0MM JACKET:PVC BLACK;
2. CONN:USB A/M INSULATION:WHITE, SHELL NICKEL-PLATED  
CONTACT GOLD-PLATED 30U";
3. CONN:USB A/F INSULATION:WHITE, SHELL NICKEL-PLATED  
CONTACT GOLD-PLATED 30U";
4. OUTER MOLD:PVC 45P BLACK;

WIRE ADDRESS



ELECTRICAL TEST:

1. 100% TEST OPEN SHORT MIS-WIRE;
2. INSULATION RESISTANCE:2M OHM MIN;

Company	Rotronic	Goods Code		Draw	FC038 ZYF	Date	2012-03-31	<b>SECOMP</b>	D		
ITEM NO	11.02.8960		Drawing Evidence:	Check		Date			C		
Goods NO				Approval		Date			B		
original NO.		Unit (MM)							VER. A	REVISE	Date