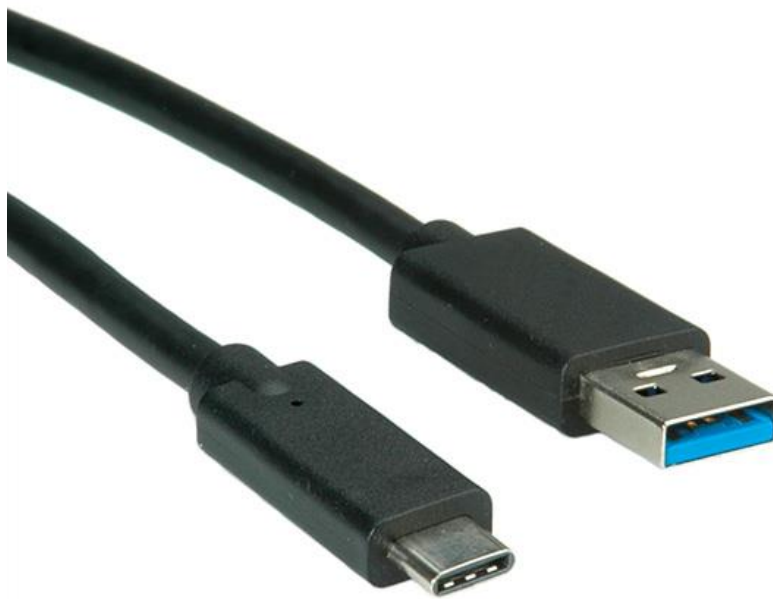




Datenblatt - Fiche technique - Data sheet

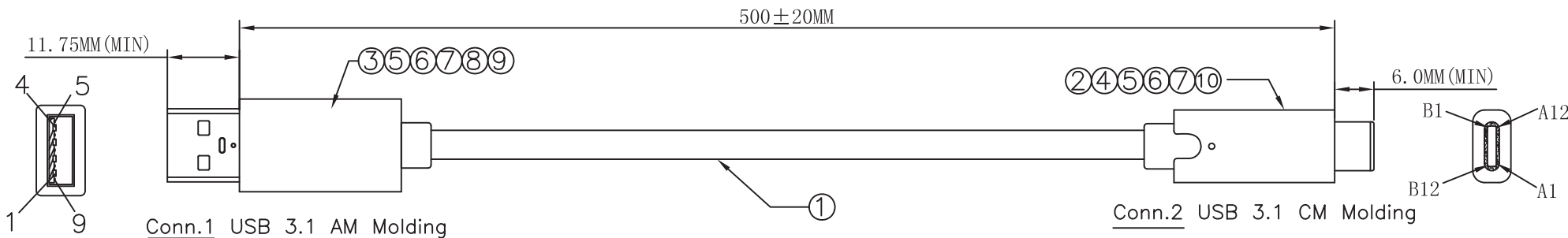
11.02.9010



ROLINE USB 3.1 Kabel, A-C, ST/ST, schwarz, 0,5 m

ROLINE Câble USB 3.1, A-C, M/M, noir, 0,5 m

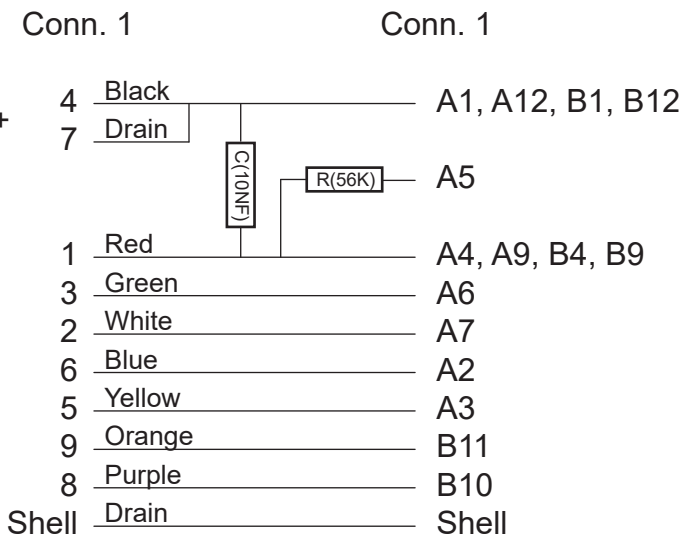
ROLINE USB 3.1 Cable, A-C, M/M, black, 0.5 m



Electrical Test :

1. 100% Test(Open, Short, Miss Wire)
2. Contact Resistance: 3 ohm Max.
3. Insulation Resistance: 5M ohm Min.
4. Hi-pot: 300V DC/10ms

Pin Assignment



Specification :

- 1 Cable USB 3.1 Gen1 (32#(7/0.08T)*1P+D(7/0.08T)+AL+MY)*2P+32#(7/0.08T)*1P+24#(7/0.2T)*2C+F+AD(7/0.127B) B(16/5/0.12AL), OD=4.2mm, Printing: E468041...SUPER HIGH SPEED USB Revision 3.0
- 2 Connector USB TYPE C, Shell: Nickel Plated, Insulator: Black, Pin: Gold Plated, with PCB, 56K Resistor, 10NF Capacitors (AM/C M30-0822-01024)
- 3 Connector USB 3.1 AM, Insulator: Blue, Pin: Gold Plated
- 4 Inner Molding LDPE
- 5 Outer Molding PVC: 45P, Black, RoHS
- 6 Heat-Shrink Tube Ø1.0, Color: Black, Length=6mm
- 7 Heat-Shrink Tube Ø2.5, Color: Black, Length=8mm
- 8 Front Shell For USB 3.1 AM, Nickel Plated
- 9 Rear Shell For USB 3.1 AM, Nickel Plated
- 10 Copper Foil W=20mm, Conductive on Double Side, L=50mm

Rev.	Date	Contents of Change	Designer	Tol±								Approve	Check	Draw	Design	Product Name	ROLINE USB3.1 Cable, A-C, M/M, 0.5m				
				Range	Pla	Met	Ins	Por	Cab	Pac	Gas	Dis	Allen	Allen	Philip	Drawing Date	Product No.	R00			
△				0~6	0.1	0.1	0.1	0.2	0.5	1	0.5	0.2								11.02.9010	
△				6~30	0.1	0.1	.15	.25	1	1	0.5	.25									
△				30~80	0.1	.15	0.2	0.3	2	1.5	1	0.3									
△				80~180	.15	.15	.25	0.3	2	2	1	.45									
△				180~315	.15	0.2	0.3	0.4	2.5	2	1	0.6									
△				315~800	0.2	0.3	0.4	0.5	3	3	2	1.1									
				Scale 1:1 Unit mm																	

