



Datenblatt - Fiche technique - Data sheet

11.02.8948



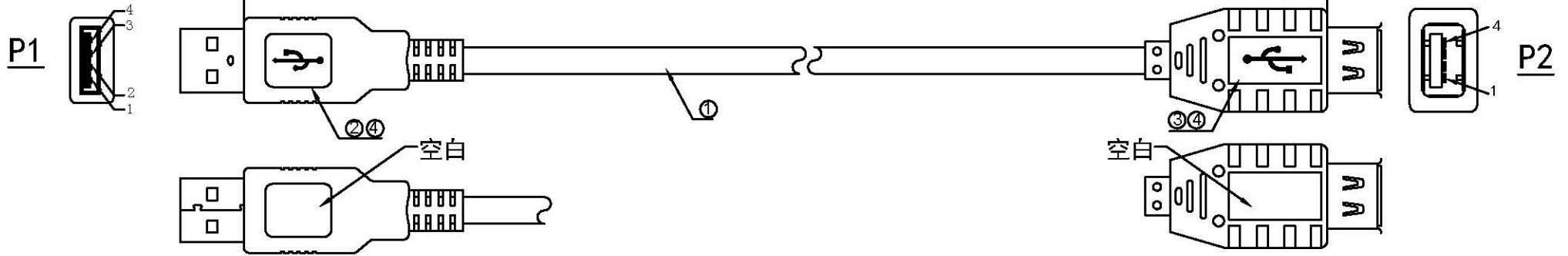
ROLINE USB 2.0 Kabel, Typ A-A, ST/BU, 1,8m

ROLINE Câble USB 2.0 Type A-A, M/F, 1.8m

ROLINE USB 2.0 Cable, A - A, M/F, 1.8 m

RoHS COMPLIANT

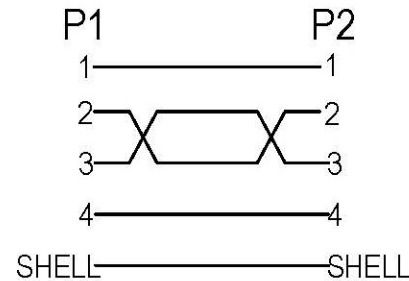
1800+60/-0MM



NOTES:

1. CABLE:UL2725 28AWG*1P+24AWG*2C+AB
OD=5.0MM JACKET:PVC BLACK;
2. CONN:USB A/M INSULATION:WHITE, SHELL NICKEL-PLATED
CONTACT GOLD-PLATED 30U";
3. CONN:USB A/F INSULATION:WHITE, SHELL NICKEL-PLATED
CONTACT GOLD-PLATED 30U";
4. OUTER MOLD:PVC 45P BLACK;

WIRE ADDRESS



ELECTRICAL TEST:

1. 100% TEST OPEN SHORT MIS-WIRE;
2. INSULATION RESISTANCE:2M OHM MIN;

Company	Rotronic	Goods Code		Draw	FC038 ZYF	Date	2012-05-17	SECOMP	D		
ITEM NO	11.02.8948		Drawing Evidence:	Check		Date			C		
Goods NO				Approval		Date			B		
original NO.		Unit (MM)							VER. A	REVISE	Date