

4

3

2

1

THIS DRAWING IS UNPUBLISHED.

RELEASED FOR PUBLICATION

20

LOC

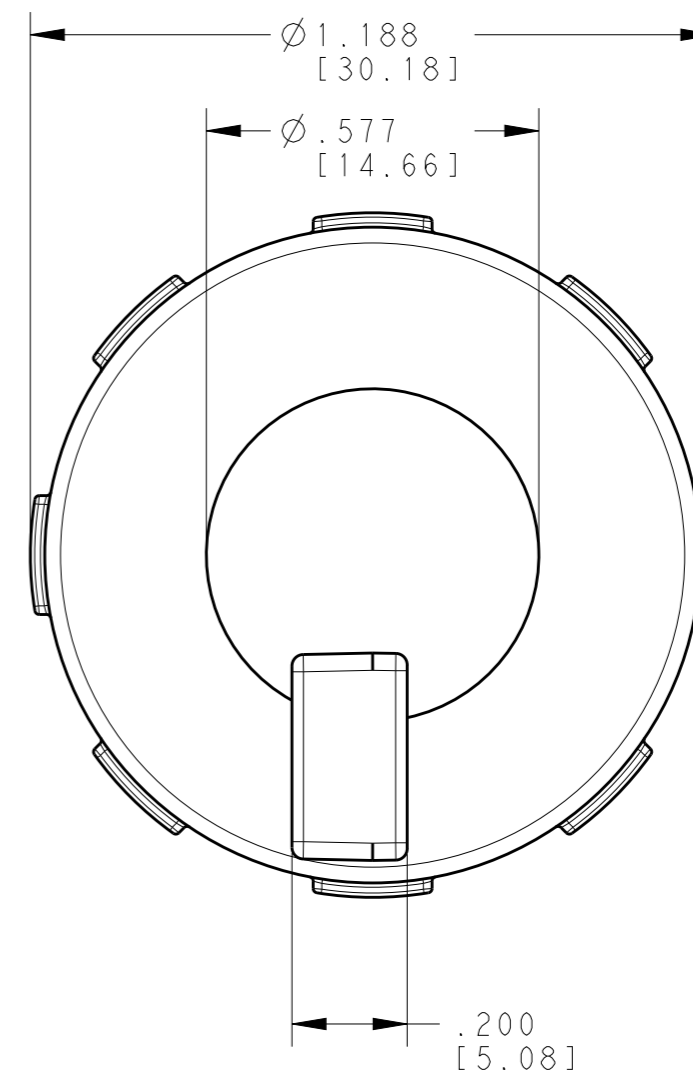
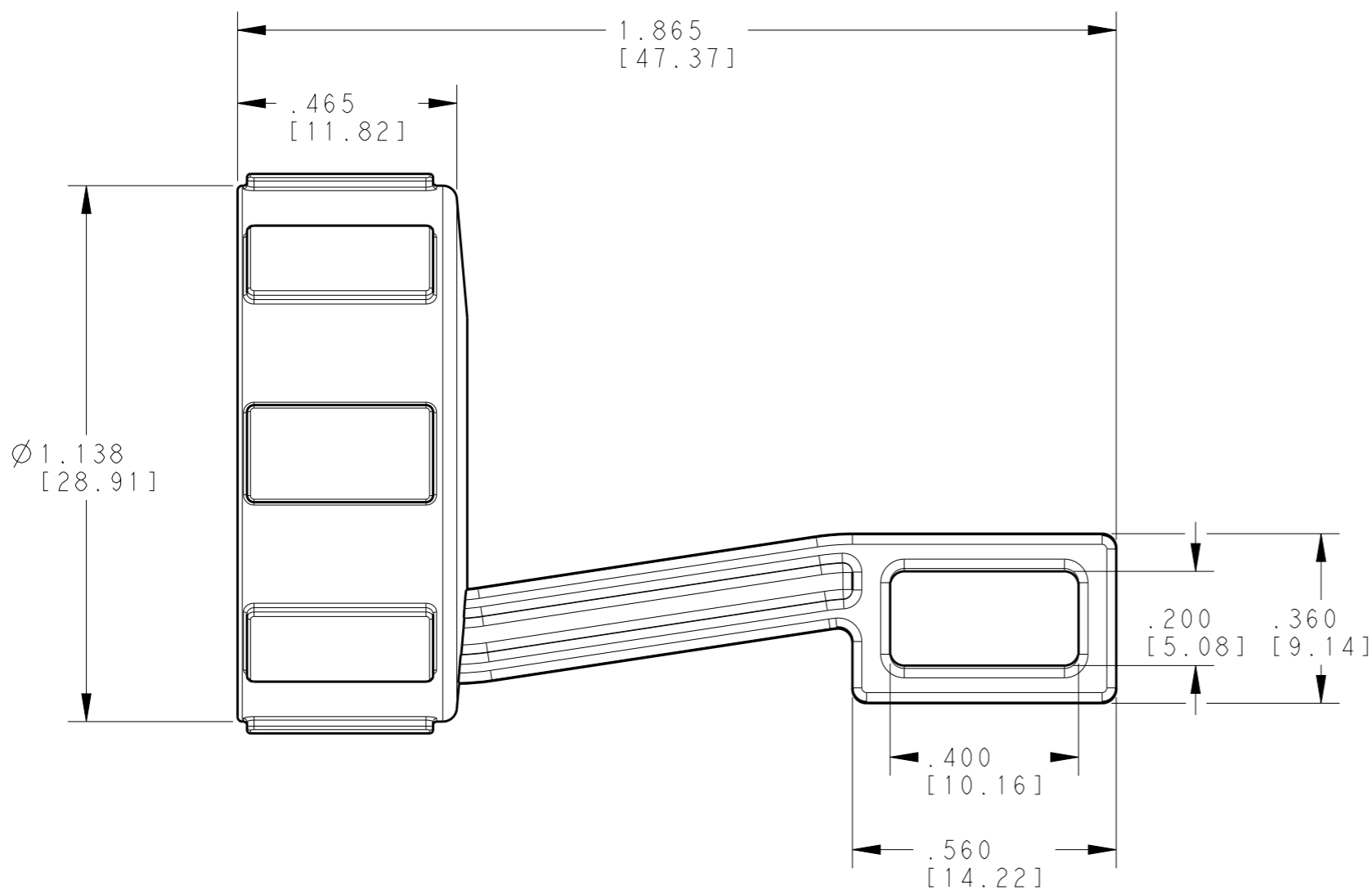
DIST

REVISIONS

© COPYRIGHT 20

ALL RIGHTS RESERVED.

P	LTR	DESCRIPTION	DATE	DWN	APVD
	C	REDRAWN PER E.O. A13795	5-4-92	JN	JRA
	C1	REVISED PER ECO-13-019591	11-13-13	JA	IG



2. THIS BACK SHELL ACCEPTS: HD10-3-96PX, HD14-3-96PX, HD16-3-96SX
X = SEAL TYPE

1. MATERIAL: PLASTIC; COLOR: GRAY.

NOTES: UNLESS OTHERWISE SPECIFIED

THIS DRAWING IS A CONTROLLED DOCUMENT.

DIMENSIONS: INCHES [mm]		TOLERANCES UNLESS OTHERWISE SPECIFIED:	
		0 PLC	±
		1 PLC	±
		2 PLC	±
		3 PLC	±.025 [.64]
MATERIAL		4 PLC	±
		ANGLES	±0°30'0"
		FINISH	

DWN 13NOV2013
JAIME C. APOSTOL
CHK 11-13-13
ILINA GRANTCHAROVA
APVD 11-13-13
ILINA GRANTCHAROVA

STE TE Connectivity

NAME BACK SHELL SIZE 9 HD10 SERIES		RESTRICTED TO	
PRODUCT SPEC	APPLICATION SPEC	SIZE A34AFU8	CAGE CODE G=HD18-003
WEIGHT 5.70g	Customer Drawing	SCALE NONE	SHEET 1 OF 1 REV C1