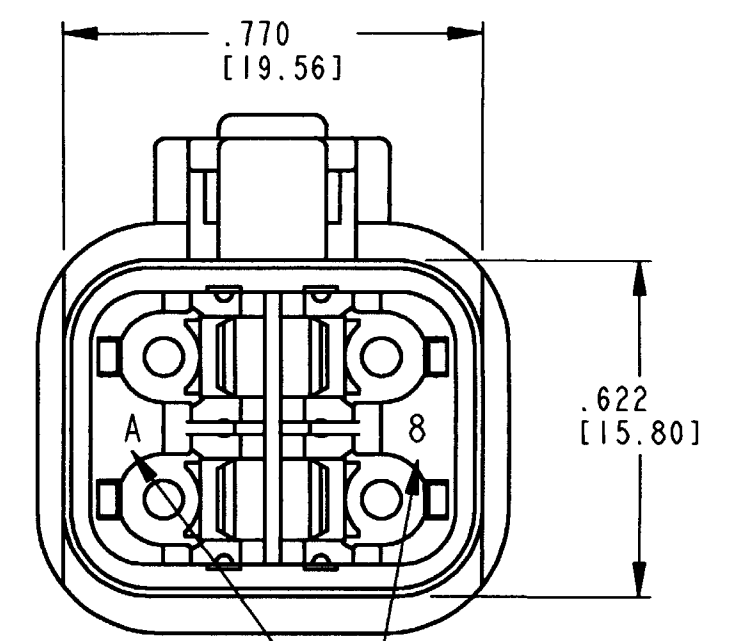
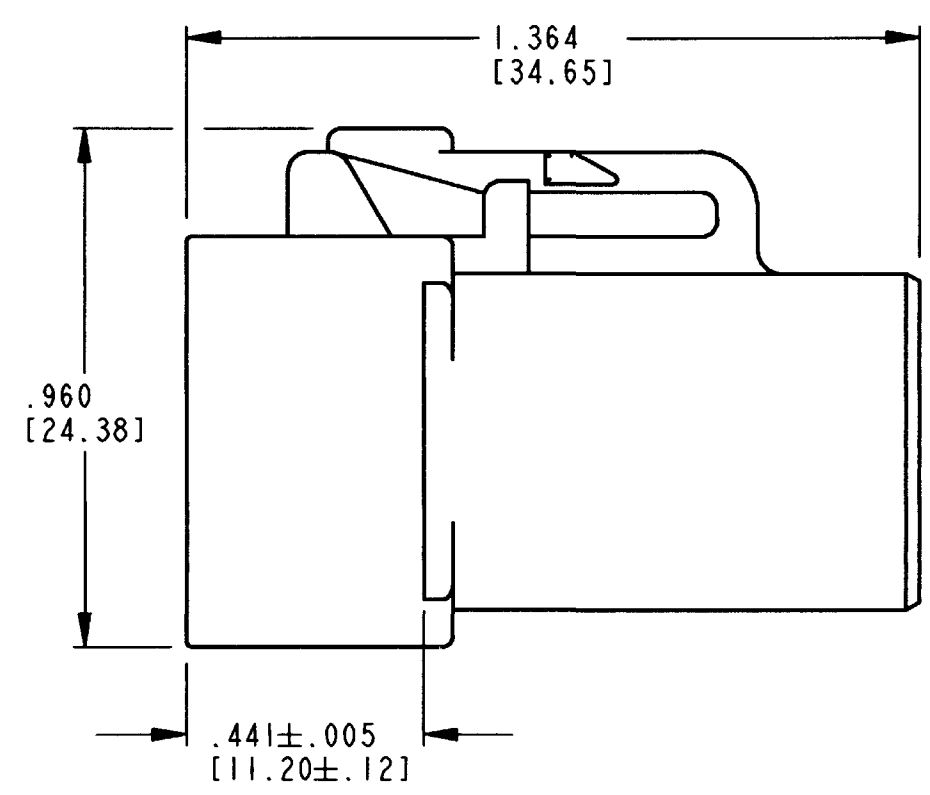
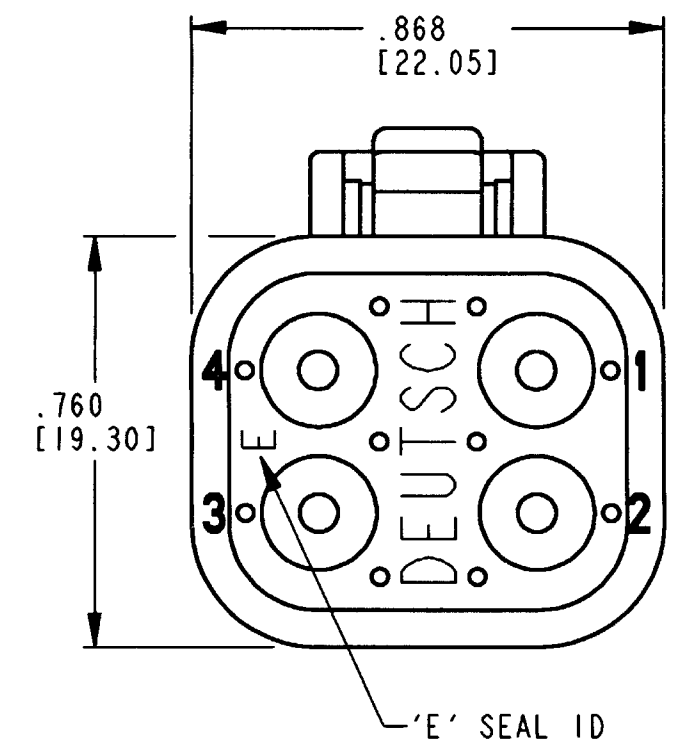


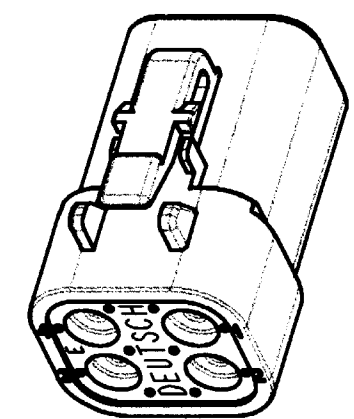
REV B DTP06-4S-CE02

REVISIONS			
SYM	DESCRIPTION	DATE	APPROVED
NC	NEW RELEASE PER E.O. P15472	11/18/97	C.B.
A	REVISED PER E.O. P16905	10/18/00	R.D.R.
B	REVISED PER E.O. P18083	4-14-03	RDR



DATE CODE: MONTH IS REPRESENTED BY SEQUENTIAL ALPHA CHARACTERS. EX: A=JANUARY; YEAR IS REPRESENTED BY LAST NUMERICAL DIGIT. EX: 8=2008

- 6. MATERIAL: HOUSING: PLASTIC; GROMMET: RUBBER
 - 5. THIS PLUG MATES WITH DTP04-4P-**** RECEPTACLE. (**** = ALL MODIFICATIONS)
 - 4. FOR CONTACT AND WIRE PERFORMANCE AND APPLICATION CHARACTERISTICS SEE ENVELOPE DRAWING 0425-015-0000.
 - 3. SECONDARY WEDGE LOCK SOLD SEPARATELY, WP-4S.
 - 2. DIMENSION TOLERANCE: ±.025 [.64].
 - 1. DIMENSIONS ARE IN INCHES [mm].
- NOTES: UNLESS OTHERWISE SPECIFIED



3D VIEW

CONTACT SIZE	MIN. INSUL. O.D.	MAX INSUL. O.D.	WIRE RANGE [mm ²] REF ONLY
12	.097 [2.46]	.158 [4.01]	12-14 AWG [3.0-2.0]

SIGNATURE & DATE	
DR	D. MEYER 11/07/97
CHK	<i>[Signature]</i> 4/10/03
PE	<i>[Signature]</i> 4/11/03
APPD	<i>[Signature]</i> 4-14-03
SCALE	NONE WT

PLUG
4 CONTACTS, SIZE 12
COLOR: BLACK
'E' SEAL
-CE02 MOD
DTP SERIES
ENVELOPE

CP	MATL. CODE
The Deutsch Company DEUTSCH I.P.D. 3850 INDUSTRIAL AVE. HEMET, CALIF. 92545	
B	DTP06-4S-CE02
DWG SIZE	CODE 11139 SHEET 1 OF 1