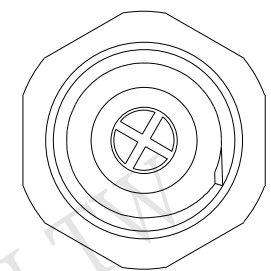
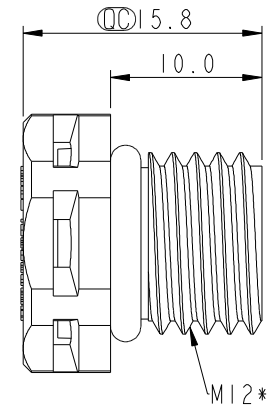
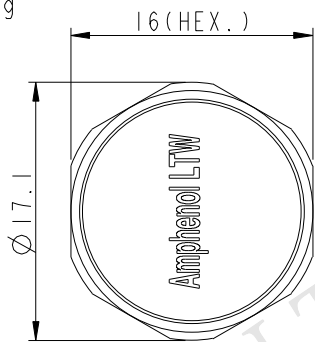
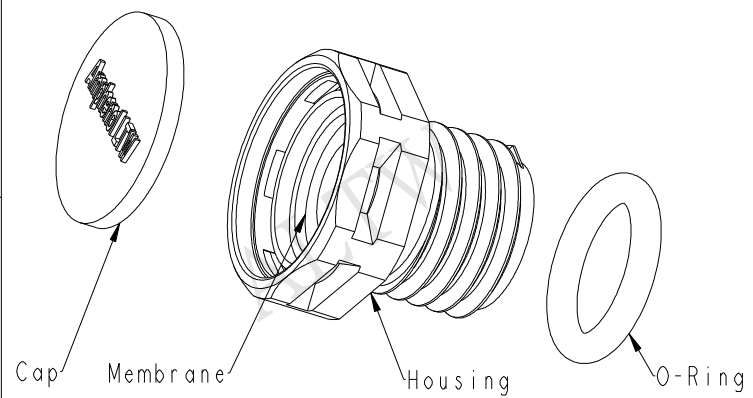


THIS DOCUMENT IS SUBJECT TO CHANGE WITHOUT NOTICE. IT IS CONFIDENTIAL AND A PROPERTY OF Amphenol LTW. DISCLOSURE TO THIRD PARTY HAS TO BE AUTHORIZED BY Amphenol LTW.

REV.	ECN NO.	DATE	SIGN	DESCRIPTION
A	Initial Release	2017/03/28	Jinhai	Chnage Rev.05 To Rev.A
B		2017/05/12	Jinhai	Add Recommended thickness of plank



Without Nut				
成品料號 (Product no.)	透氣量 ml/min@70mbar	主體顏色 (Body Colour)	O-Ring Color	疏油性 (Oleophobic)
VENT-PSINGY-N8001	>1000	Gray	Blue	N
VENT-PSINBK-N8001	>1000	Black	Blue	N
VENT-PSINGY-O8001	>550	Gray	Black	Y
VENT-PSINBK-O8001	>550	Black	Black	Y
VENT-PSINGY-O8002	>1000	Gray	Green	Y
VENT-PSINBK-O8002	>1000	Black	Green	Y

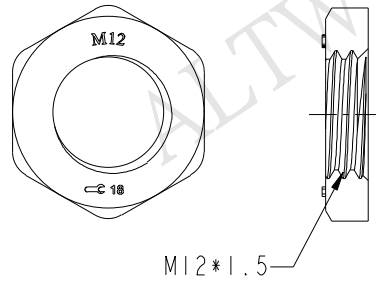
With Nut				
成品料號 (Product no.)	透氣量 ml/min@70mbar	主體顏色 (Body Colour)	O-Ring Color	疏油性 (Oleophobic)
VENT-PSIYGY-N8001	>1000	Gray	Blue	N
VENT-PSIYBK-N8001	>1000	Black	Blue	N
VENT-PSIYGY-O8001	>550	Gray	Black	Y
VENT-PSIYBK-O8001	>550	Black	Black	Y
VENT-PSIYGY-O8002	>1000	Gray	Green	Y
VENT-PSIYBK-O8002	>1000	Black	Green	Y

UNIT: mm		TITLE: M12*1.5 VENT
TOLERANCE .X ±0.25 .XX ±0.1 .XXX ±0.05 ANGLES ±1°	SCALE: 2:1 REV. B	SIZE: A4 WC-REV. A.4 SHEET 1 OF 2 QC: Inspection item

Amphenol LTW
安費諾亮泰企業股份有限公司

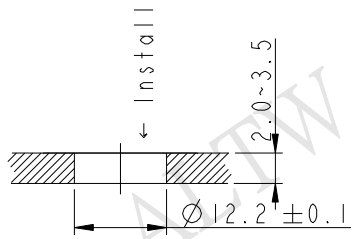
ITEM NO.	DRAWN BY: Jinhai	DATE: 2017-05-12
DWG NO. VENT-PSIXXX-XXXXX	CHECKED BY: Feng-li	DATE: 2017-05-12
CUSTOMER: ALTW	APPROVED BY: Jerry	DATE: 2017-05-12

Screw Nut: Optional part
 No.: APTP-ABKPA012-001
 螺母作為選配件



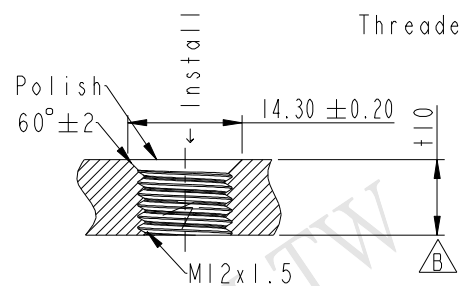
REV.	ECN NO.	DATE	SIGN	DESCRIPTION

Through-hole

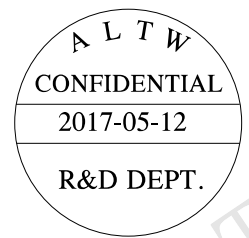
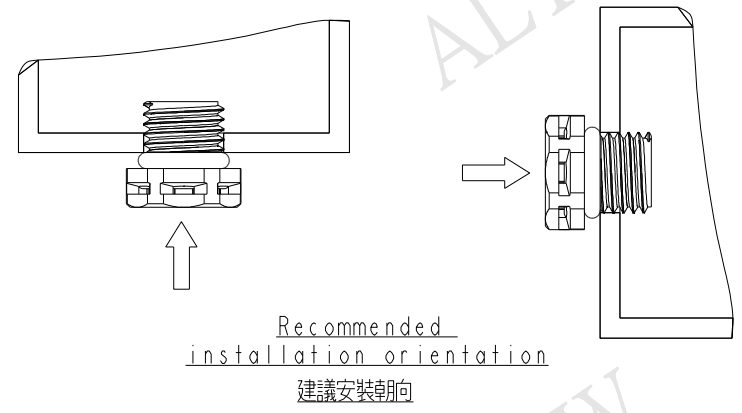


Recommended Panel Cut-Out
 建議開孔尺寸

Threaded-hole



Recommended Panel Cut-Out
 建議開孔尺寸



- Note:
- * \varnothing Important Dimension.
 - * Waterproof Rate: IP68((2m, 60minutes), IP69K)
 - * Cap: Nylon+GF, 94V-0, UV Resistance
 - * Membrane: ePTFE
 - * Body: Nylon+GF, 94V-0, UV Resistance
 - * O-Ring: Silicone
 - * Nut Torque Force: 6.0~8.0 Kgf.cm

UNIT:mm		
TOLERANCE	.X ±0.25	
.XX ±0.1		
.XXX ±0.05		
ANGLES	±1°	

TITLE	M12*1.5 VENT		
SCALE	2:1	SIZE	A4
SHEET	2	OF	2
REV.	B	WC-REV.	A.4
		\varnothing	Inspection item

Amphenol LTW
 安費諾亮泰企業股份有限公司

ITEM NO	DRAWN BY	DATE
	Jinhai	2017-05-12
DWG NO	CHECKED BY	DATE
VENT-PSIXXX-XXXXX	Feng-li	2017-05-12
CUSTOMER	APPROVED BY	DATE
ALTW	Jerry	2017-05-12

THIS DOCUMENT IS SUBJECT TO CHANGE WITHOUT NOTICE. IT IS CONFIDENTIAL AND A PROPERTY OF AMPHENOL LTW. DISCLOSURE TO THIRD PARTY HAS TO BE AUTHORIZED BY AMPHENOL LTW.