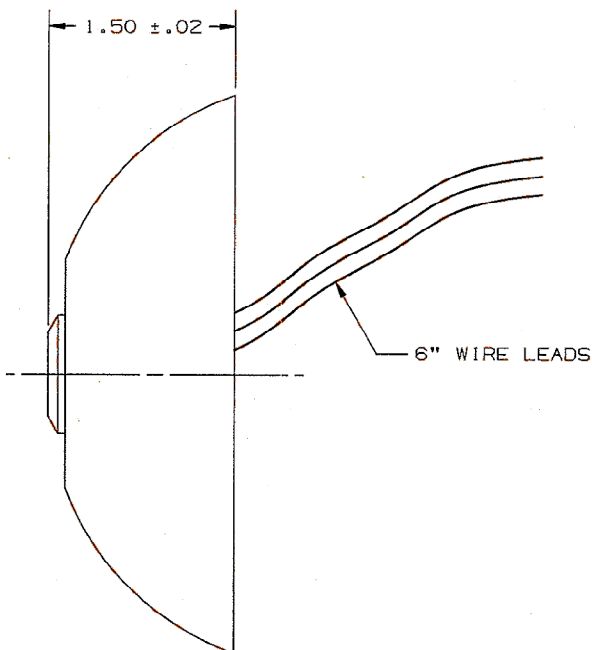
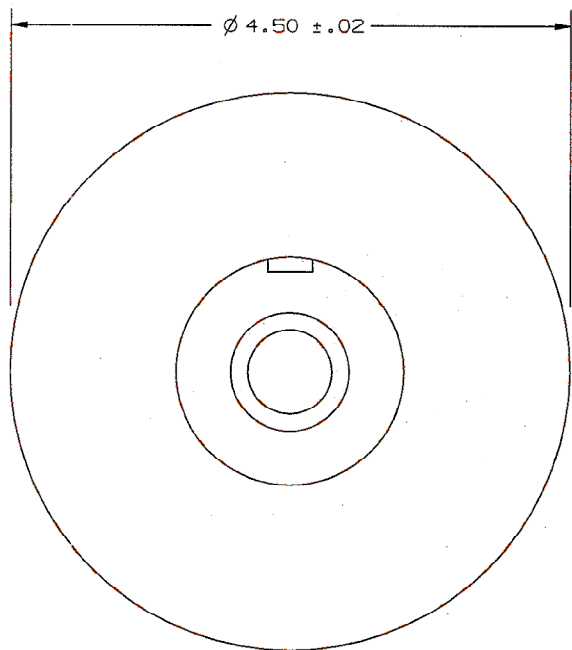


M-7781 4



CATALOG NO'S		SQ. FOOTAGE	TECHNOLOGY
ATD2000CRP	ATD2000CRPU	2,000	ULTRASONIC & PIR
ATD1000CRP	ATD1000CRPU	1	ULTRASONIC & PIR
ATD500CRP	ATD500CRPU	500	ULTRASONIC & PIR
ATD2000C	ATD2000CU	2	ULTRASONIC & PIR
ATD1000C	ATD1000CU	1	ULTRASONIC & PIR
ATD500C	ATD500CU	500	ULTRASONIC & PIR
ATU2000CRP	ATU2000CRPU	2,000	ULTRASONIC
ATU1000CRP	ATU1000CRPU	1	ULTRASONIC
ATU500CRP		500	ULTRASONIC
ATU2000C	ATU2000CU	2	ULTRASONIC
ATU1000C	ATU1000CU	1	ULTRASONIC
ATU500C		500	ULTRASONIC
ATP1500CRP	ATP1500CRPU	1,500	PIR
ATP1500C	ATP1500CU	1,500	PIR
ATP600C	ATP600CU	600	PIR
ATP600CRP	ATP600CRPU	600	PIR

LIST OF PARTS		
DESCRIPTION	MATERIAL	FINISH
HOUSING	ABS	WHITE
LENS	POLYETHYLENE	

4	ADDED CATALOG NO'S. WITH "U" SUFFIX. PER DCN 17404. MYA	DJP	1/11/11
3	CATALOG NO'S. WITH CRP WAS CRP EXCEPT ATD2000CRP. ADDED 1,000 TO SQ. FOOTAGE OF ATD1000CRP PER DCN 15175 SPN	SL	10/10/08
2	ADDED TOL TO DIMS & SQ. FOOTAGE & TECHNOLOGY DATA PER DCN 7794. AMZ	DB	8/28/00
1	RELEASED PER DCN 5190 RCM	SL	7/8/97
SYM	REVISIONS	APP	DATE

THE DESIGN AND DIMENSIONS OF THE PRODUCT SHOWN ON THIS DRAWING ARE SUBJECT TO CHANGE WITHOUT NOTICE

TITLE
 ADAPTIVE TECHNOLOGY
 US & PIR CEILING SENSORS

TOLERANCES UNLESS OTHERWISE SPECIFIED FRACTIONS ± 1/64 DECIMALS ± .005 ANGLES ± 2°	WIRING DEVICE-KELLENS HUBBELL INCORPORATED BRIDGEPORT, CT	
	DR. BY RCM	APP. BY SL
	TR. BY	SCALE 1:1
	CHK'D BY SL	DATE 7/8/97

COLOR: WHITE
 WEIGHT: 5 OZ.

CODE 74545

DIMENSION SHEET FOR CAT. NO.

REPAIRABLE NON-REPAIRABLE

B

M-7781

4