

M-12395 | 1

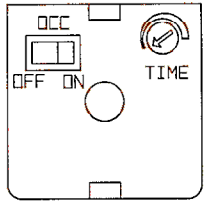


FIG. 1

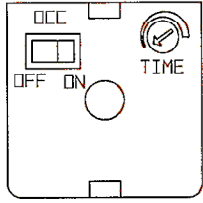


FIG. 2

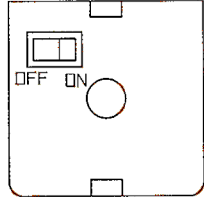
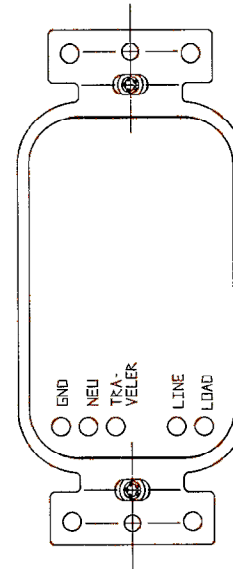
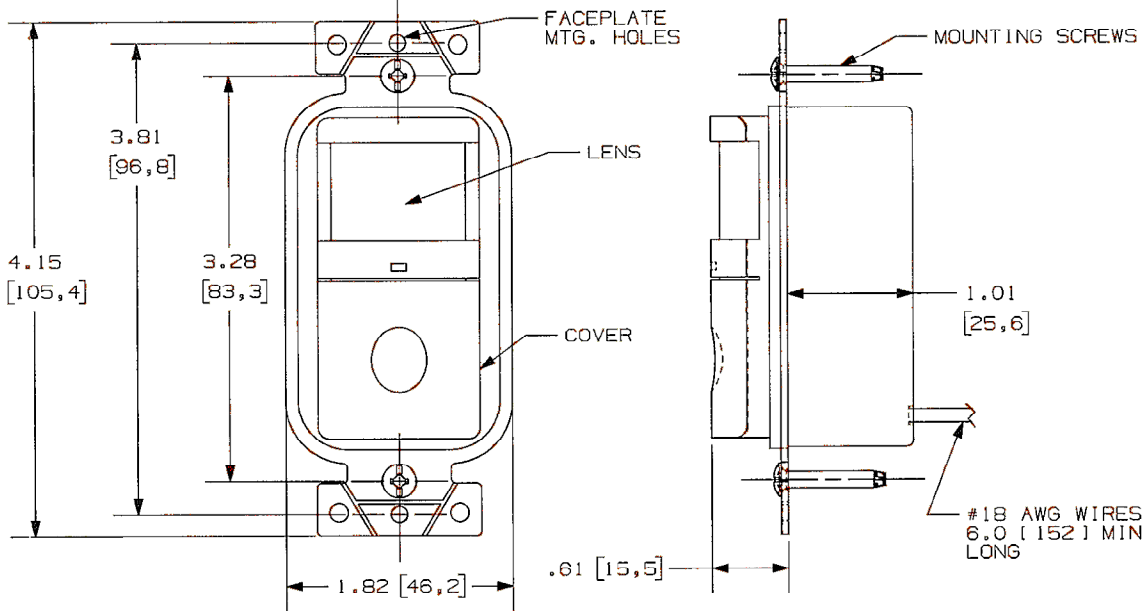
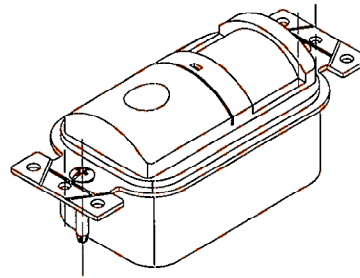


FIG. 3

VIEWS WITH COVER REMOVED



LIST OF PARTS		
DESCRIPTION	MATERIAL	FINISH
HOUSING	THERMOPLASTIC	----
LENS	POLYETHYLENE	----
MOUNTING STRAP	STEEL	ZINC
MOUNTING SCREWS	STEEL	ZINC

DIMENSION SHEET FOR CAT. NO. M-12395
 SEE CHART
 REPAIRABLE NON-REPAIRABLE

1	RELEASED PER DCN19178	1/17/13
SYM	REVISIONS	APP DATE

THE DESIGN AND DIMENSIONS OF THE PRODUCT SHOWN ON THIS DRAWING ARE SUBJECT TO CHANGE WITHOUT NOTICE

TITLE
WALL SWITCH PIR SENSOR

CATALOG NO.	MANUAL TIMING	AUTO TIMING	PHOTO-CELL	NIGHT LIGHT (LED)	120VAC 500W	120-277VAC 800/1200W	ZERO CROSS CIRCUITRY	GROUND WIRE POWER	NEUTRAL WIRE POWER	VACANCY MODE (MANUAL ON)	AUTO/MANUAL ON MODE, MULTI-WAY FUNCTION	FIGURE NUMBER
WS1000xx	V				V			V		Auto ON		1
WS1000Nxx	V			V	V			V		Auto ON		1
WS2000xx	V		V			V		V			V	2
ATP2000xxx		V	V			V		V			V	3
WS2000Nxx	V		V	V		V		V			V	2
ATP2000Nxx		V	V	V		V		V			V	3
WS2004xx	V		V			V			V		V	2
ATP2004xx		V	V			V		V			V	3
WS2004Nxx	V		V	V		V		V			V	2
ATP2004Nxx		V	V	V		V		V			V	3
WS1001xx	V				V			V		Manual ON		1
WS1001Nxx	V			V	V			V		Manual ON		1

TOLERANCES UNLESS OTHERWISE SPECIFIED
 .XX = ±.01
 .XXX = ±.005
 ANGLES = ±2°

WIRING DEVICE-KELLEMS
 HUBBELL INCORPORATED
 SHELTON, CT

DR. BY SRE APP. BY [Signature]
 TR. BY [Signature] SCALE 1:1
 CHK. BY [Signature] DATE 1/17/13

ALL DIMENSIONS ARE IN INCHES AND [MILLIMETERS]

CODE 74545

B
 M-12395
 1