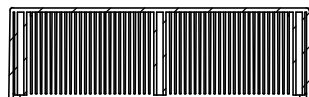


OVERALL ASSEMBLY DIMENSIONS:

EXTERNAL - 250 x 200 x 65

INTERNAL - 244 x 194 x 60.2

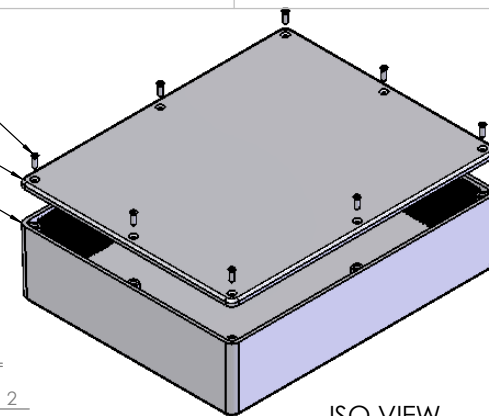


SECTION B-B

M3 CSK SCREW

LID

BASE



ISO VIEW



A

A

B

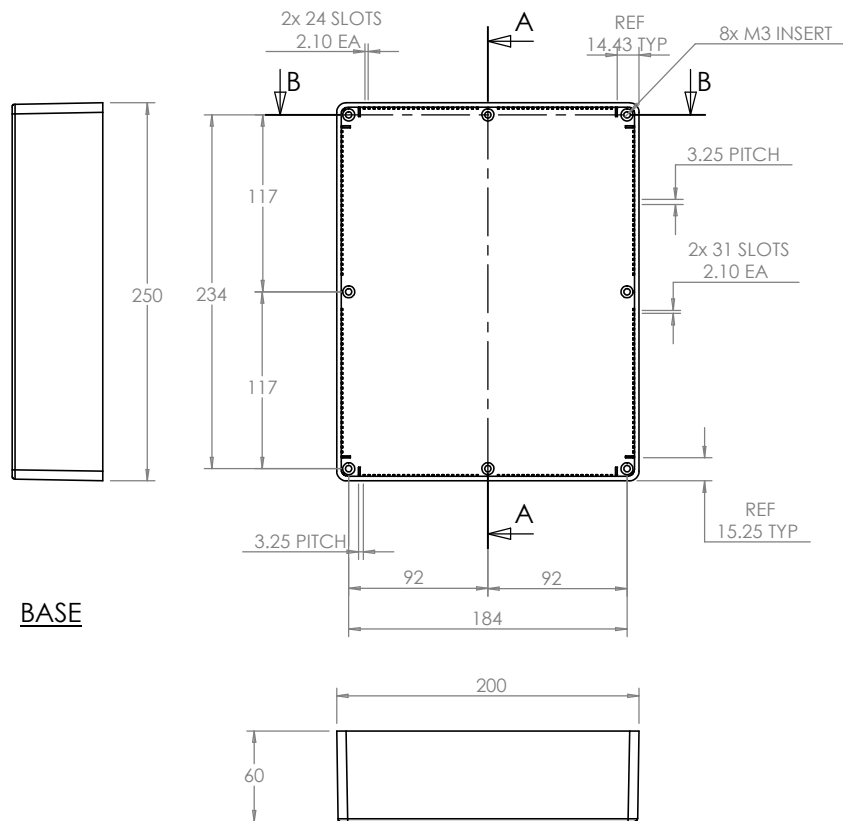
B

C

C

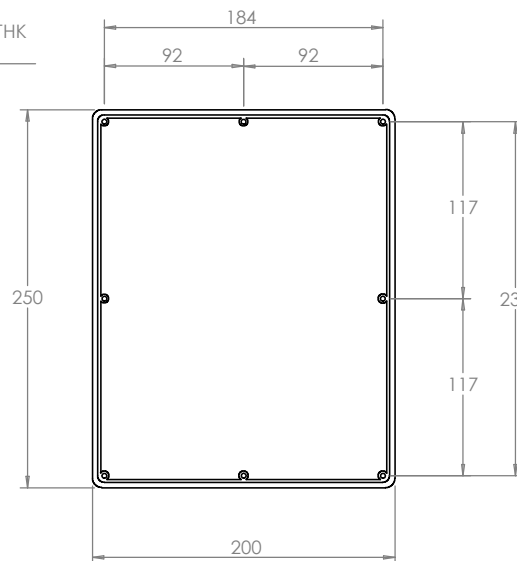
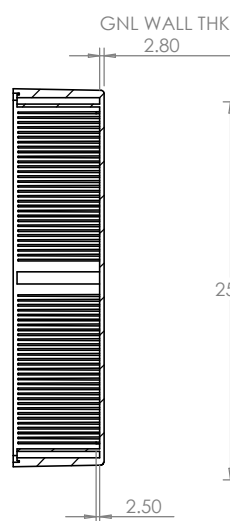
D

D



BASE

SECTION A-A



LID

CAMDENBOSS
ELECTRONICS & ENCLOSURES

JAMES CARTER RD, MILDENHALL, SUFFOLK. IP28 7DE
TEL: 01638 716101 FAX: 01638 716554
EMAIL: Sales@CamdenBoss.com
WEB: www.CamdenBoss.com

UNLESS OTHERWISE SPECIFIED:
DIMENSIONS ARE IN MILLIMETERS

DO NOT SCALE DRAWING

REVISION. O

FINISH.
SMOOTH

TITLE:

ASSEMBLY DRG FOR 2009/19

| | NAME | SIGNED | DATE |
|-------|------------|--------|----------|
| DRAWN | S.HARDINGE | SJH | 10/10/05 |
| CHK'D | - | - | - |

MATERIAL.
ABS

PROJECTION.

DWG NO.

2009,19

A4

SCALE: 1 : 5

SHEET 1 OF 1

1

2

3