

5

4

3

2

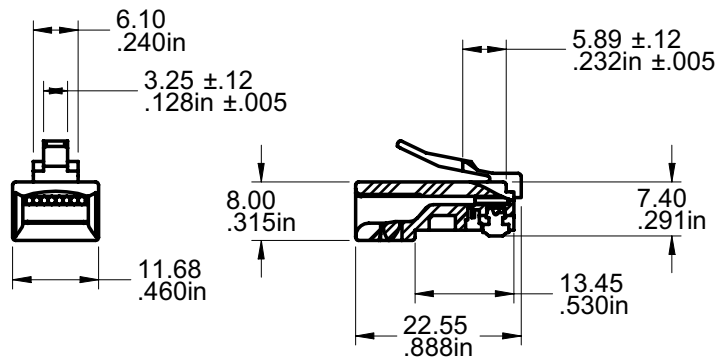
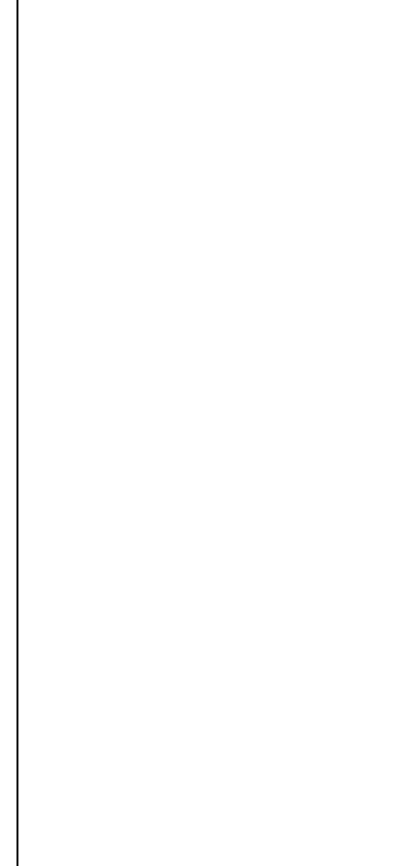
1

受控 CONTROLLED DOCUMENT					
编号 P/N	32-5998UL-CUST	版本 Rev	01	日期 Rel'd Date	Apr29,09

DRAWING NO. 32-5998UL- CUST	
REVISIONS	
01 OFFICIAL RELEASE	
03-20-09	T W B Y T Thomas Chow



Description: RJ45 MOD Plug 50"U,SOL/STR,FLAT
 Part No: 32-5998UL
 Application: Modular Plug
 Crimp Tool: N/A
 Insulation Resistance: 1000 Ohms
 Frequency Range: N/A
 Material: Housing Polycarbonate
 Contact Phosphor bronze Gold plated
 Insert bar Polycarbonate
 RoHS Compliance: Yes
 Technical Detail: N/A



DIM OUTLINE

TOLERANCE UNLESS OTHERWISE SPECIFIED	DRAWN BY TERRY.W	DATE 03-20-09
DECIMALS	CHECKED BY BETTY.YU	DATE 03-20-09
X ± 0.5	APPROVED BY THOMAS	DATE 03-20-09
X.X ± 0.3	U/M	mm
X.XX ± 0.1		
ANGLES ± 0.5°		

	Connectivity Solutions
	TITLE RJ45 MOD PLUG 50"U,SOL/STR,FLAT

THIS DRAWING WAS PRODUCED BY COMPUTER, DO NOT SCALE DRAWING OR UPDATE MANUALLY.	SHEET 1 OF 1	DRAWING NO. 32-5998UL-CUST	SIZE A
---	-----------------	-------------------------------	-----------

5

4

3

2

1