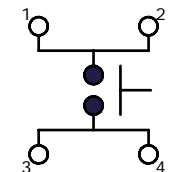


P.C.B. LAYOUT



▲CIRCUIT: SPST

LED SPECS	UNITS	GREEN
FORWARD CURRENT	mA	20
FORWARD VOLTAGE @20mA	V	2.1-2.5
LUMINOUS INTENSITY @ 20mA	mcd	400

NOTES:

1. ALL DIMENSIONS IN MM [INCH]
2. GENERAL TOLERANCE: X.X=±0.4
X.XX=±0.25
3. RATING: 12VDC @ 50mA
4. CONTACT RESISTANCE: 100mΩ MAX.
5. INSULATION RESISTANCE: 100MΩ MIN.
6. OPERATING FORCE: 180±60gf
7. TRAVEL: 0.2±0.1mm
8. OPERATING TEMPERATURE: -20°C TO 70°C
9. OPERATING LIFE: 50,000 CYCLES

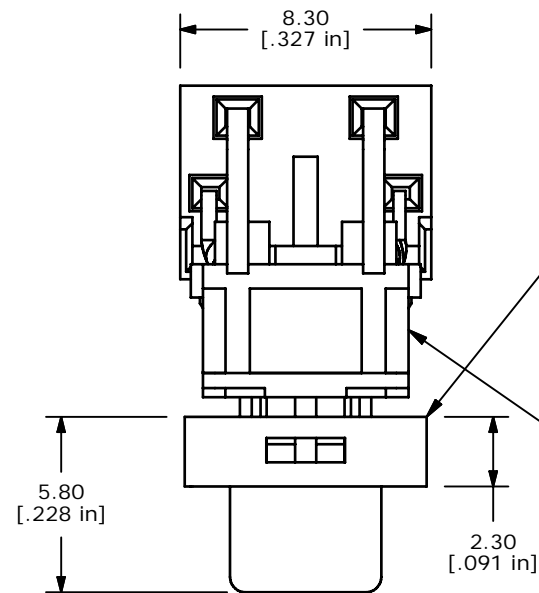
▲ 10. LED: GREEN

▲ 11. GOLD CONTACTS: TERMINALS, 20 MICRO-INCHES MIN GOLD
MOVING CONTACT, 10 MICRO INCHES MIN GOLD.

12. ▲ DENOTES CRITICAL PARAMETERS

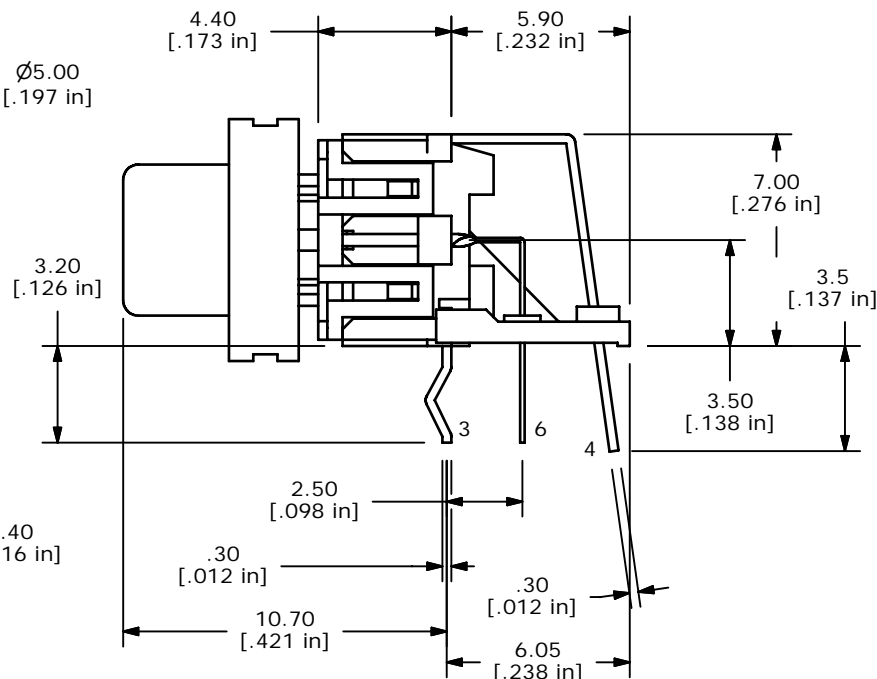
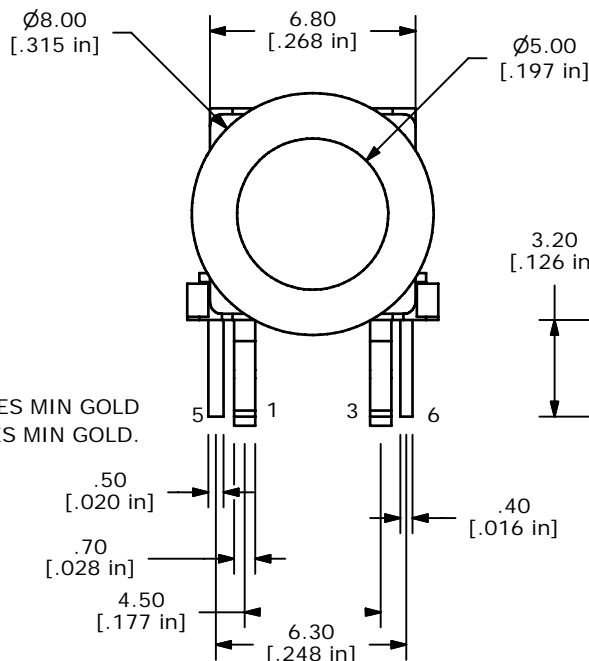
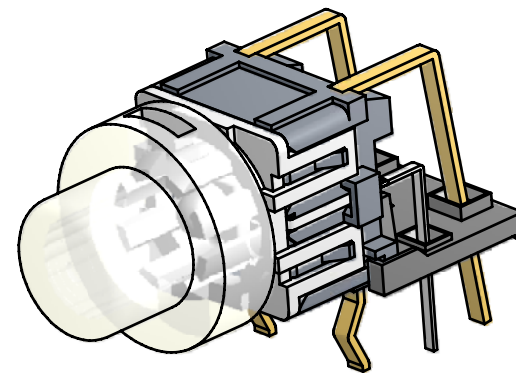
13. 2002/95/EC (ROHS) COMPLIANT

14. PARTS TO BE PACKAGED IN TUBES,
60 PIECES PER TUBE.



▲ CAP MATERIAL TO BE CLEAR POLYCARBONATE

▲ USE GOLD DOME P990005



B	18422	ADD GOLD DOME	2/25/09	rc
A	18402	New-Release	2/12/09	rc
REV	PCR NO	DESCRIPTION	DATE	BY

TITLE TL1250F180GRRCLR				
SCALE	DATE	DR	DWG	REV
2 = 1	1/13/2009	rc	P010814	B