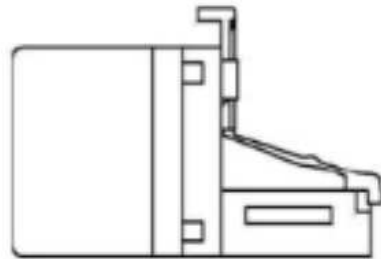
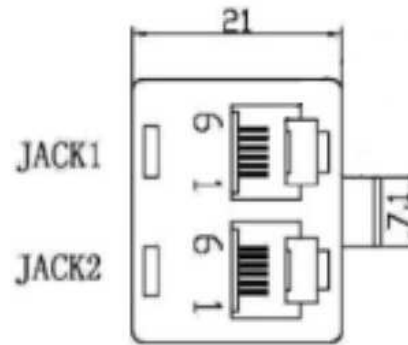
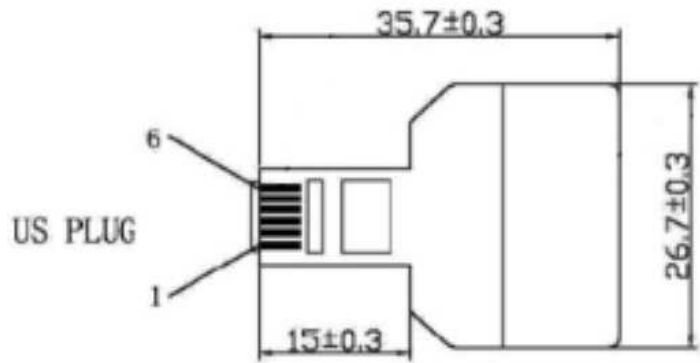




DESCRIPTION: 6P UNSHIELDED MODULAR DUPLEX ADAPTER  
 MODEL NUMBER: 32-1016  
 APPLICATION: FOR SPLITTING VOICE, MODEM, FAX AND DATA  
 CRIMP TOOL: N/A  
 IMPEDANCE: N/A  
 FREQUENCY RANGE: N/A  
 MATERIAL: HOUSING ABS  
 PIN GOLD PLATED FU"  
 RoHS COMPLIANCE: YES  
 TECHNICAL DETAIL: N/A



Line gauge					
US PLUG		JACK1		JACK2	
1	WH	1	WH	1	
2	BK	2	BK	2	
3	RD	3	RD	3	
4	GN	4	GN	4	
5	YL	5	YL	5	
6	BL	6	BL	6	

<p>This PROPRIETARY Document is Property of Cinch Connectivity Solutions. It is confidential in nature, non-transferable, and issued with the clear understanding that it is not traced or copied without permission and is returnable upon demand.</p> <p>INTERPRET DRAWING IN ACCORDANCE WITH ASME Y14.5-2009.</p>	<p>3RD ANGLE PROJECTION</p>	<p>AIM-Cambridge</p>	
	<p>RoHS <input checked="" type="checkbox"/> 2002/95/EC</p> <p>UNLESS OTHERWISE SPECIFIED UNITS: METRIC</p> <p>.XX ±.51 .XXX ±.127 ANGLES ±2°</p>	<p>Title: 6P Unshielded Modular Duplex Adapter</p> <p>Model No. 32-1016</p>	<p>Size A</p> <p>DO NOT SCALE DRAWING</p>