

1 2 3 4 5 6

A

A

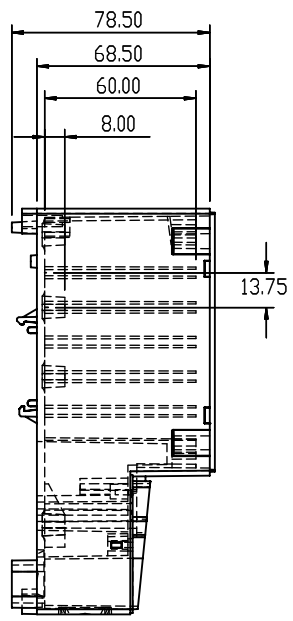
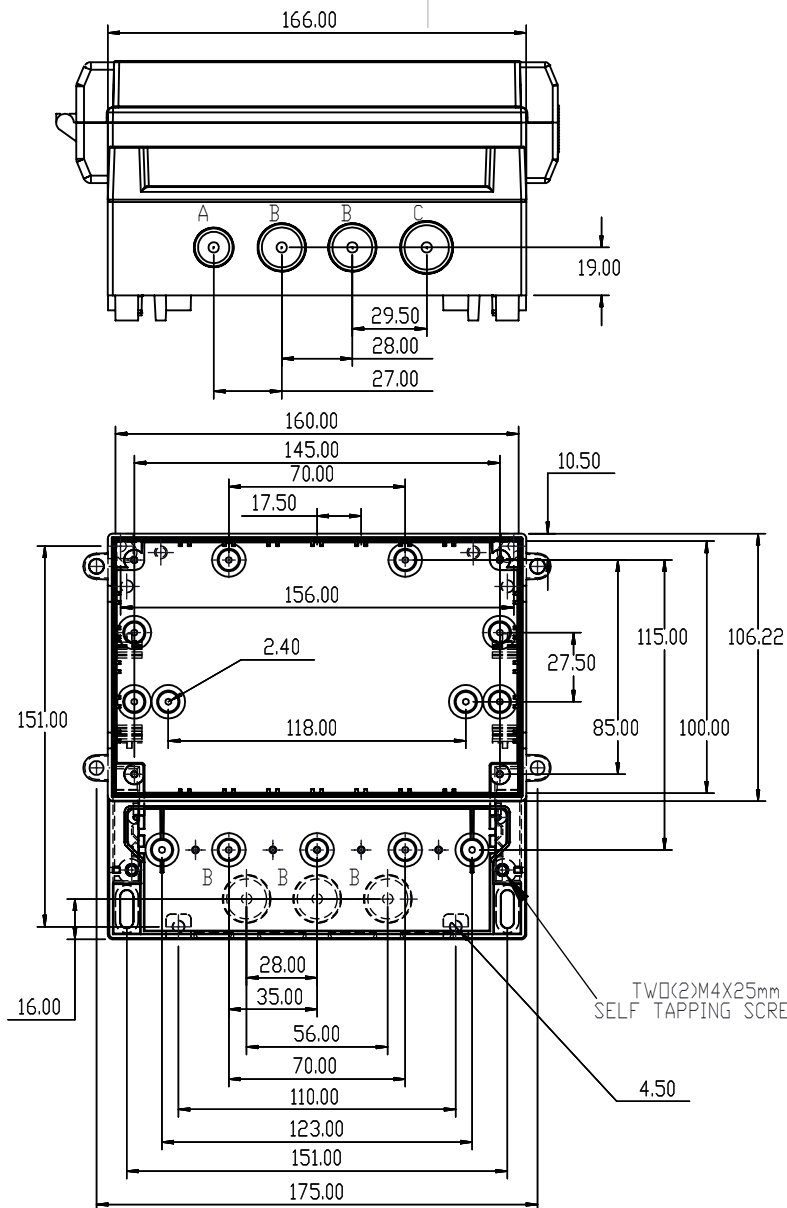
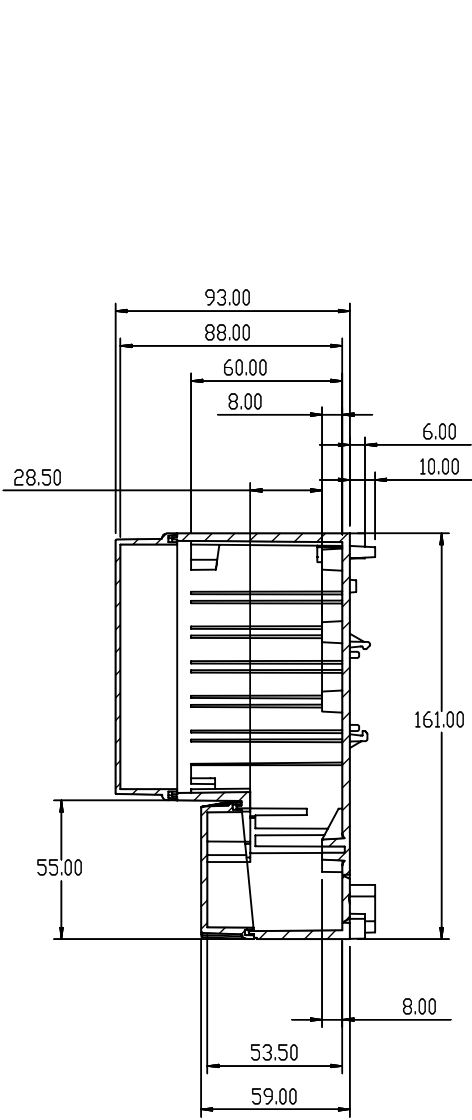
B

B

C

C

D



	DIMENSION	CABLE GLAND
A	15.6mm	PG 9(OR M12)
B	19.0mm	PG 11(OR M16)
C	20.8mm	PG 13.5(OR M20)

CAMDENBOSS
ELECTRONICS & ENCLOSURES
JAMES CARTER RD, MILDENHALL, SUFFOLK. IP28 7DE
TEL: 01638 716101 FAX: 01638 716554
EMAIL: Sales@CamdenBoss.com
WEB: www.CamdenBoss.com

UNLESS OTHERWISE SPECIFIED:
DIMENSIONS ARE IN MILLIMETERS
GENERAL TOLERANCES +/- 0.2
FINISH: NONE

DO NOT SCALE DRAWING
REVISION: ○
TITLE: 7700 SERIES SIZE 1 WALL MOUNT BOX HINGED LID

	NAME	SIGNED	DATE
DRAWN	IAN PAGANO	I.P.	07/01/14
CHK'D	DAN SMALLEY	D.S.	08/01/14

MATERIAL: UL 94 - V0 ABS/PC
PROJECTION:

DWG NO. CHD771001
SCALE: 1:3
SHEET 1 OF 1
A4

1 2 3