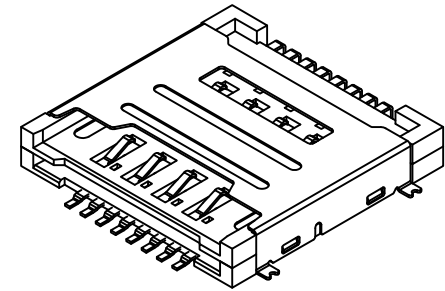


Recommended PCB Layout

As viewed from component side Tolerance: ±0.05mm

▨ Solder Area ⊗ Keep Out Area □ Component Outline



Specifications 规格

Material 物料

Plastic Housing 塑胶外壳: LCP 30%GF, UL94V-0, Black
 Contact Terminal 接触端子: Phosphor Bronze C5191R-EH, T=0.15mm
 Metallic Shell 金属外壳: Phosphor Bronze C5210R-EH, T=0.15mm

Plating 电镀

Contact Terminal 接触端子
 Contact Area 接触区域: 3μ" Gold
 Solder area 焊接部分: 1μ" Gold
 Underplating 底层电镀: 50μ" Ni overall
 Metallic Shell 金属外壳:
 Solder area 焊接区域镀金: 1μ" Gold
 Underplating 底层电镀: 50μ" Ni overall

Electrical 电气

Voltage Rating 电压额定值: 30V
 Current Rating 电流额定值: 0.5A max.
 Operating Temperature 工作温度: -40°C to +85°C
 Dielectric Withstanding Voltage 耐电压: 200V AC (60Sec min)
 Insulation Resistance 绝缘电阻: 100MΩ min. (Apply 500VDC)
 Contact Resistance 接触电阻: 100mΩ max.

Mechanical & Environmental 机械 & 环境

Duration 耐久性: 5000 cycles

Ordering Grid

SIM6050 - **8** - **0** - **30** - **00** - **A** Request Samples and Quotation

No. of Contacts

8

Packing Options

A = Tape & Reel
(700 per Reel)

Profile Height (H)

30 = 3.00mm

Part Number		Product Description	
SIM6050		SIM Card Connector, Retainer Type, Dual SIM, 2x8 Pin, SMT, Profile 3.00mm	
Drawing Date 15th March 2010			
By	CC	Tolerances (Except as Noted)	
Detail	SIM6050 C PCN	Length X.X ± 0.35 X.XX ± 0.25 X.XXX ± 0.15	Angle X.X° ± 3° X.XX° ± 2°
Revision	C3	Units: Metric (mm)	
Date	09/12/16		

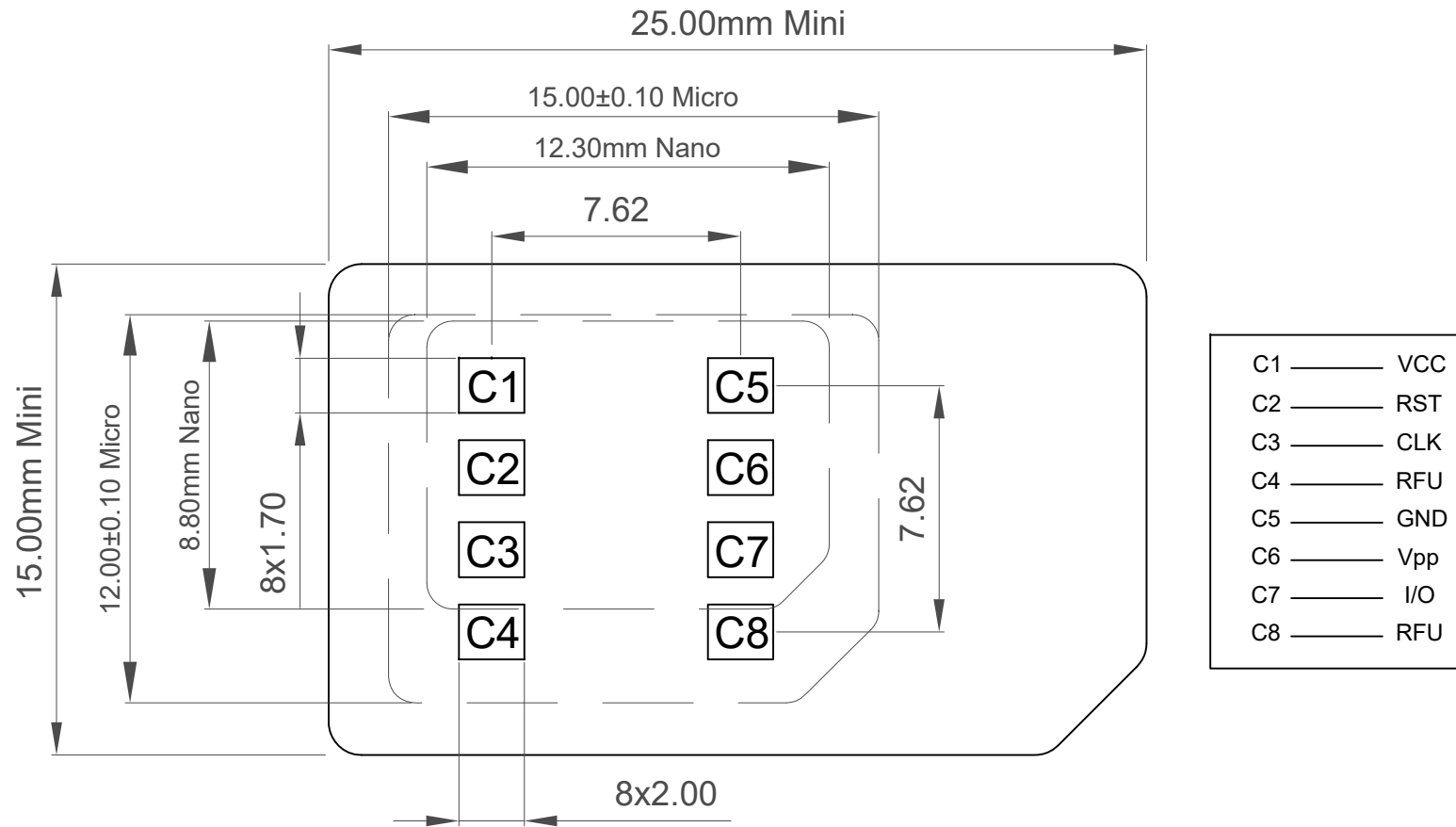


This drawing is confidential and copyright of Global Connector Technology, Ltd (GCT).
 This drawing must not be copied or disclosed without written consent. E & OE

Not to Scale Drawn By SA Sheet No. 1/3

Mini SIM Reference

thickness = 0.76 ± 0.08



C1	VCC
C2	RST
C3	CLK
C4	RFU
C5	GND
C6	Vpp
C7	I/O
C8	RFU

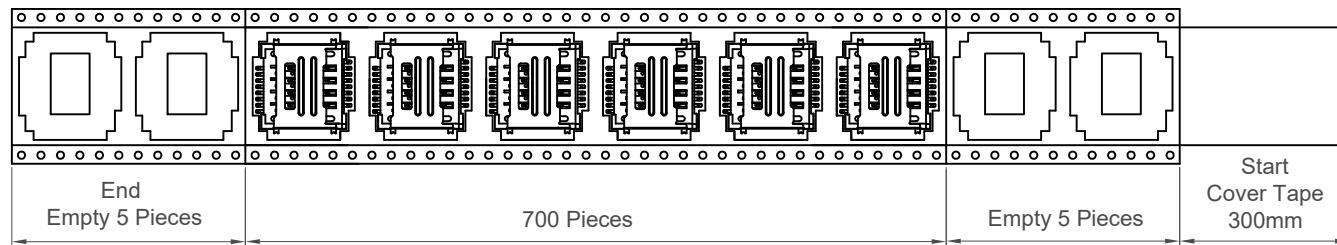
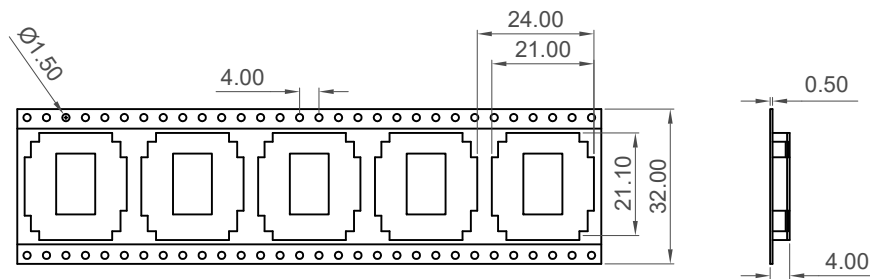
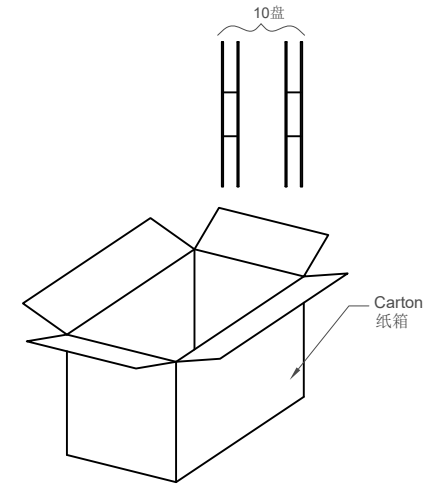
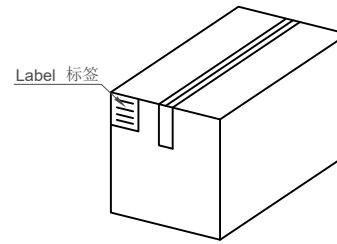
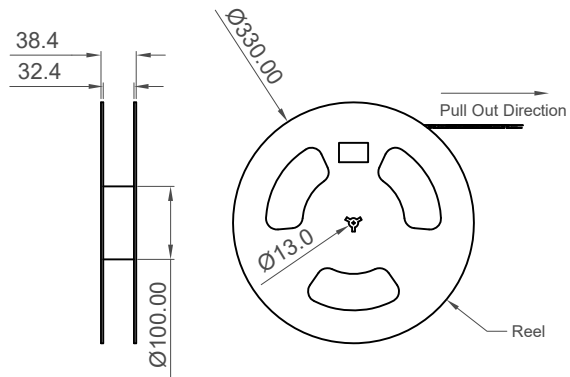
Part Number		Product Description	
SIM6050		SIM Card Connector, Retainer Type, Dual SIM, 2x8 Pin,	
Drawing Date		SMT, Profile 3.00mm	
15th March 2010			
By	CC	Tolerances (Except as Noted)	Units:
Detail	SIM6050	Length	Metric (mm)
Revision	C PCN	Angle	
Date	C3		
	09/12/16		



This drawing is confidential and copyright of Global Connector Technology, Ltd (GCT). This drawing must not be copied or disclosed without written consent. E & OE



Not to Scale	Drawn By SA	Sheet No. 2/3
--------------	-------------	---------------



Notes 注意:

Material 材质要求:

Carton 纸箱的材质为: B=B 外形尺寸为 Dim: 330*330*385mm
 Reel 卷盘的材质为: PVC 卷盘的外形尺寸为 Dim: Ø330*38.4mm
 Tape 卷带的材质为: PVC 卷带的外形尺寸为 Dim: 17040*32*4.0mm

Packing Spec 包装要求:

- 5 empty cavities at the beginning and end of the tape, 700pcs per reel. spare upper tape 300mm at both ends
 将卷带放入包装机后, 前空5PCS, 后放产品700PCS, 再后空5PCS; 上带留 300mm长度
- Seal the reel 将包装好的产品从包装机上取下并包装好
- 10 reels into 1 carton, 7K per carton 把累叠好的10 盘叠放入纸箱中共计 7Kset;
- Seal the carton and put the label on 把包装好的成品打包封箱, 并在纸箱外贴上标签;

Part Number		Product Description		 www.gct.co
SIM6050		SIM Card Connector, Retainer Type, Dual SIM, 2x8 Pin, SMT, Profile 3.00mm		
Drawing Date		15th March 2010		
By		CC		
Detail	SIM6050	Tolerances (Except as Noted)	Units: Metric (mm)	 This drawing is confidential and copyright of Global Connector Technology, Ltd (GCT). This drawing must not be copied or disclosed without written consent. E & OE
Revision	C3			
Date	09/12/16	3rd Angle Projection		
Date		09/12/16		