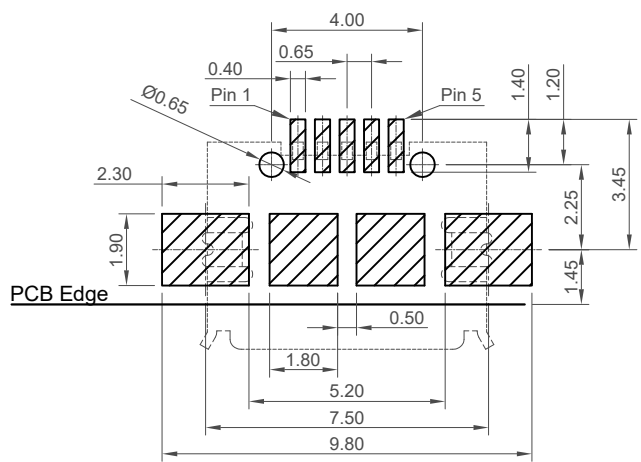
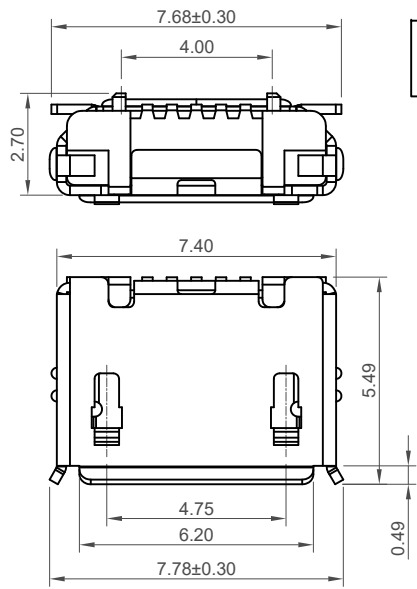
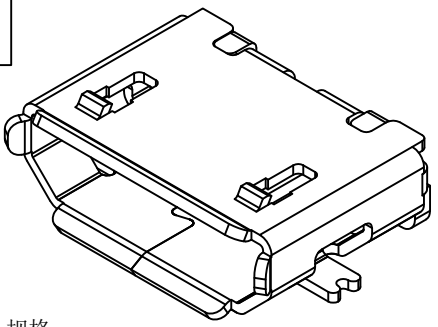
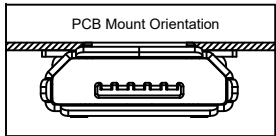


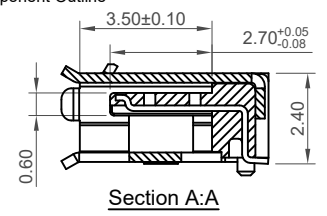
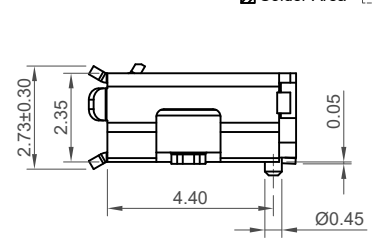
Designed to comply with physical, electrical and environmental requirements of Micro USB Standard (USB2.0).



**Recommended PCB Layout**

As viewed from component side  
General Tolerance: ±0.05

☒ Solder Area ☐ Component Outline



**Section A:A**

**Specifications 规格**

**Material 物料**

- Plastic Housing 塑胶外壳: LCP, UL94V-0, Black
- Contact Terminal 接触端子: Copper Alloy
- Metallic Shell 金属外壳: Stainless Steel SUS 304, T = 0.25mm

**Plating 电镀**

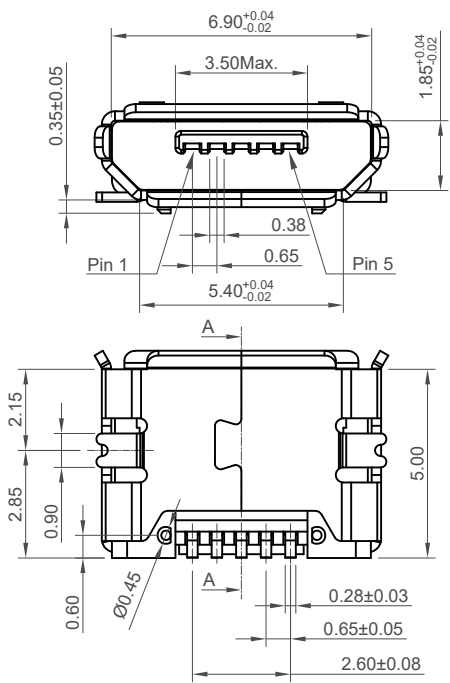
- Underplating 底层电镀: 50µ" Nickel
- Finish 表面处理: Contact Area 接触面积: 30µ" Gold plating
- Solder Tails 焊接末端: Gold Flash
- Metallic Shell 金属外壳: Matte Tin

**Electrical 电气**

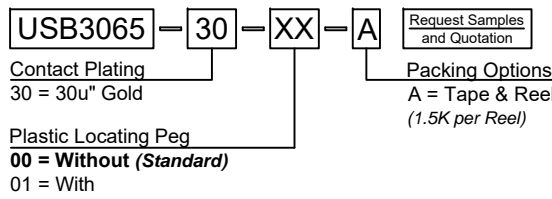
- Voltage Rating 电压额定值: 30 V AC
- Current Rating 电流额定值: Signal (Pins 2,3,4): 1.0A. Power (Pins 1,5): 1.8A.
- Operating Temperature 工作温度: -30°C to +85°C
- Contact Resistance 接触电阻值: 30mΩ max.
- Insulating Resistance 绝缘电阻值: 1000MΩ min.
- Dielectric Withstand Voltage 耐电压: 500V AC/Minute

**Mechanical & Environmental 机械 & 环境**

- Mating Force 插入力: 35N max.
- Unmating Force 拔出力: 10N min.
- Durability 耐久性: 10,000 Cycles



**Ordering Grid**

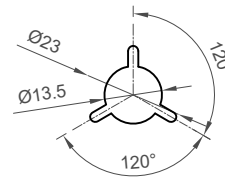
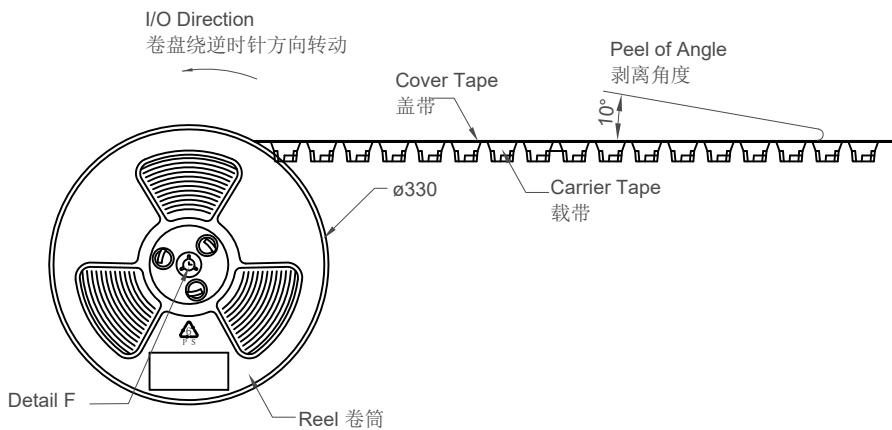
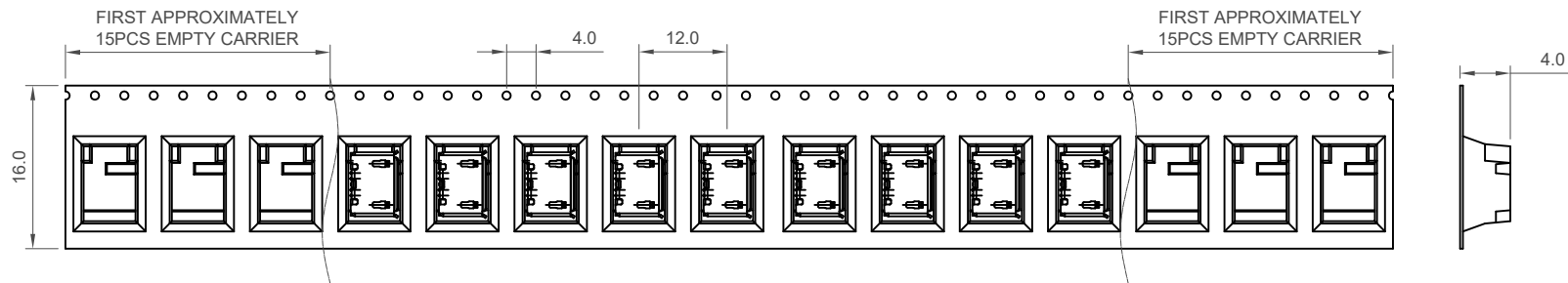


Part Number USB3065		Product Description Micro USB Receptacle, Type B, 5 Pin, SMT, Horizontal, Bottom Mount (Standard), Optional Plastic Locating Peg			
Drawing Date 4th April 2011					
By	CC	Tolerances (Except as Noted)		Units:	
Detail	USB3065 EPCN	Length	Angle	Metric (mm)	
Revision	E2	X.X ± 0.2	X.X° ± 2°		
Date	13/12/16	X.XX ± 0.10	X.XX° ± 1°		
		X.XXX ± 0.05	X.XXX° ± 0.5°	3rd Angle Projection	



This drawing is confidential and copyright of Global Connector Technology, Ltd (GCT). This drawing must not be copied or disclosed without written consent. E & OE

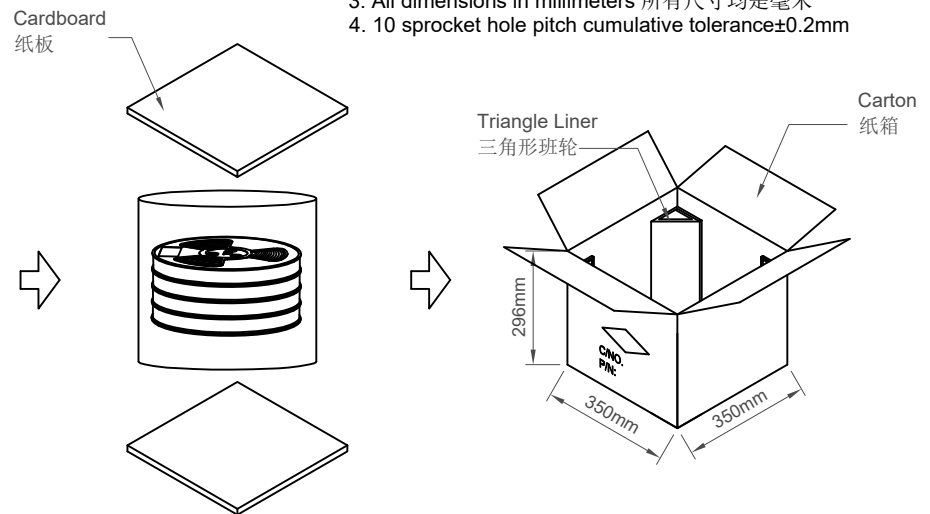
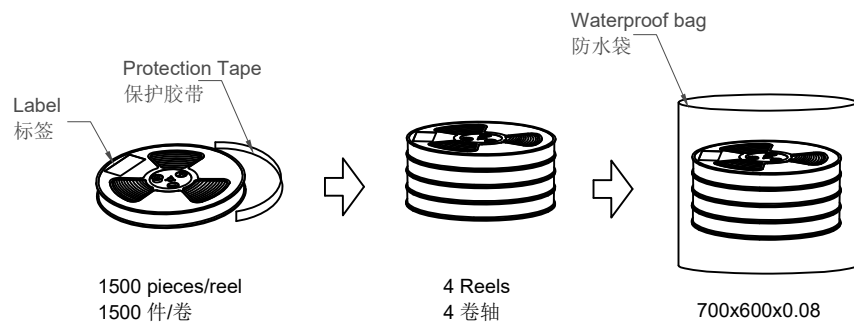
Not to Scale	Drawn By ASE	Sheet No. 1/2
--------------	--------------	---------------



Detail F

Notes注意:

1. Peeling off force of top tape: 0.1-1.3N
2. Part Conforms to EIA-481-C Standards 产品符合EIA-481-C标准
3. All dimensions in millimeters 所有尺寸均是毫米
4. 10 sprocket hole pitch cumulative tolerance±0.2mm



Products P/N	PCS/Reel	Reels/Carton	PCS/Carton
USB3065-30-XX-A	1500	4	6000

Part Number		Product Description	
USB3065		Micro USB Receptacle, Type B, 5 Pin, SMT, Horizontal, Bottom Mount (Standard), Optional Plastic Locating Peg	
Drawing Date		4th April 2011	
By	CC	Tolerances (Except as Noted)	Units:
Detail	USB3065 E PCN	Length	Metric (mm)
Revision	E2	-	3rd Angle Projection
Date	13/12/16	-	



This drawing is confidential and copyright of Global Connector Technology, Ltd (GCT). This drawing must not be copied or disclosed without written consent. E & OE



Not to Scale	Drawn By ASE	Sheet No. 2/2
--------------	--------------	---------------