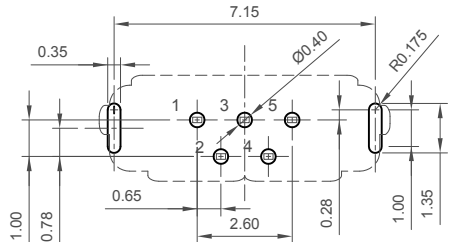
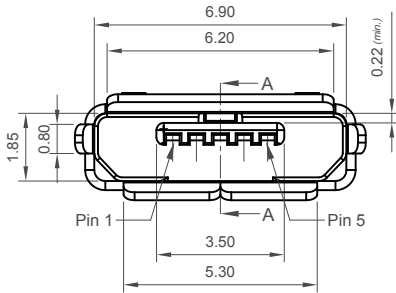
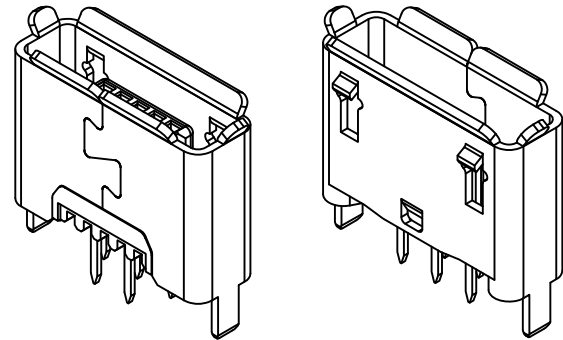


Designed to comply with physical, electrical and environmental requirements of Micro USB Standard (USB2.0), A/B types support USB On-The-GO (OTG) interface.

If you seek longer shell stakes for a thicker PCB (for example 1.60mm (.062")) please see USB3106.



**Recommended PCB Layout**  
As viewed from component side General Tolerance: ±0.05  
□ Component Outline

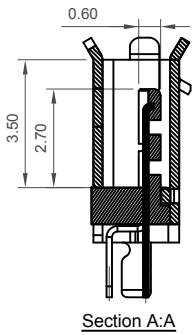
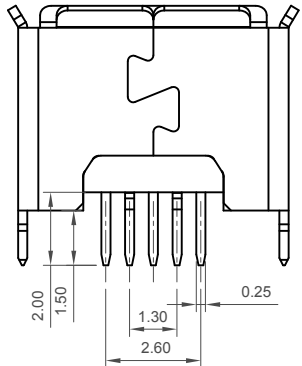
**Specifications 规格**

**Materials 材料**  
Plastic Housing 胶芯: LCP, UL 94V-0, Black,  
Contact Terminal 端子: Copper Alloy  
Metallic Shell 金属外壳: Stainless Steel SUS304-1/2H T=0.25mm

**Plating 电镀**  
Underplating 底层电镀: Nickel 100µ" min.  
Plating 电镀:  
Contact Area 接触区: 30µ" Gold plating  
Solder Tails 焊接区: Gold Flash  
Metallic Shell 金属外壳: Nickel

**Electrical 电气**  
Voltage Rating 电压额定值: 30V  
Current Rating 电流额定值: Signal (Pins 2,3,4): 1.0 A.  
Power (Pins 1,5): 1.8A.  
Operating Temperature 工作温度: -55°C to +85°C.  
Contact Resistance 接触电阻值: 30 mΩ max.  
Insulating Resistance 绝缘电阻值: 1000 MΩ min.  
Dielectric Withstand Voltage 耐电压: 100V AC for 1 minute

**Mechanical & Environmental 机械 & 环境**  
Mating Force 插入力: 35N max.  
Unmating Force 拨出力: Initial 10N min.  
Final 8N min after durability test.  
Durability 耐久性: 10,000 Cycles



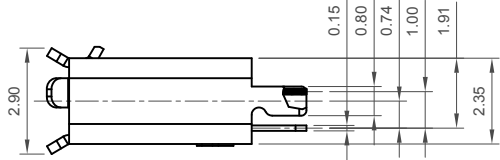
Ordering Grid

**USB3105** - **30** - **A**

Request Samples and Quotation

Contact Plating  
30 = 30µ" Gold

Packing Options  
A = Tape & Reel  
(1.5K per Reel)



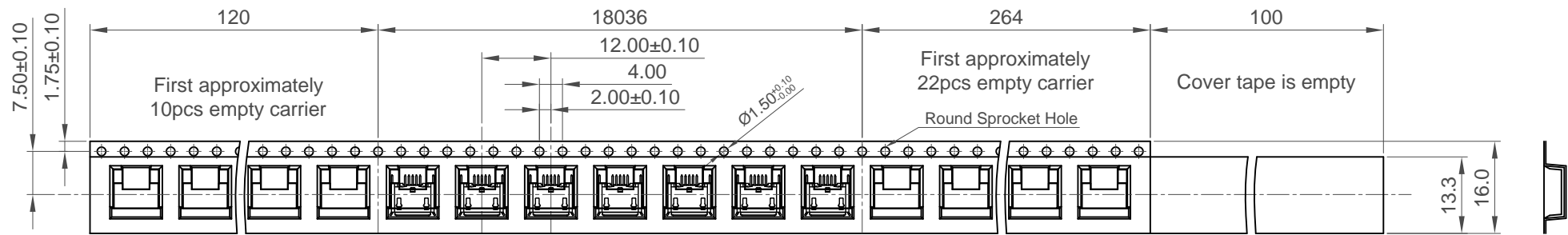
Part Number		Product Description	
USB3105		Micro USB Receptacle, Type AB, Through-Hole, Vertical, with 1.5mm Through-Hole Shell Stakes	
Drawing Date		4th April 2011	
By	CC	Tolerances (Except as Noted)	Units:
Detail	USB3105 F PCN	Length	Metric (mm)
Revision	F3	Angle	
Date	15/06/17	X.X ± 0.35 X.XX ± 0.25	RoHS COMPLIANT 2011/65/EU Deca-SIDE



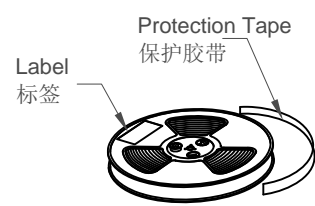
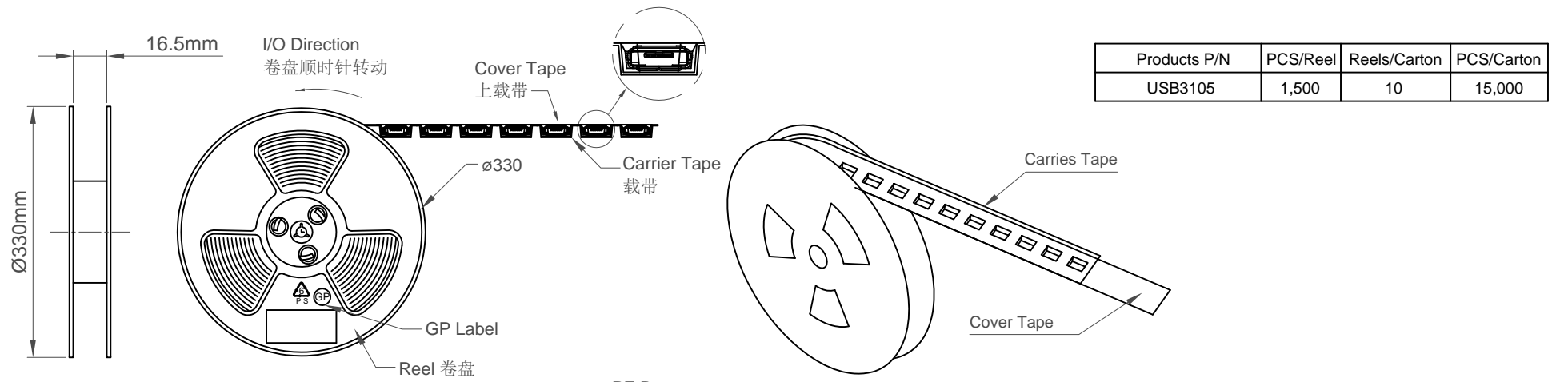
This drawing is confidential and copyright of Global Connector Technology, Ltd (GCT). This drawing must not be copied or disclosed without written consent. E & OE

Not to Scale	Drawn By AJO	Sheet No. 1/2
--------------	--------------	---------------

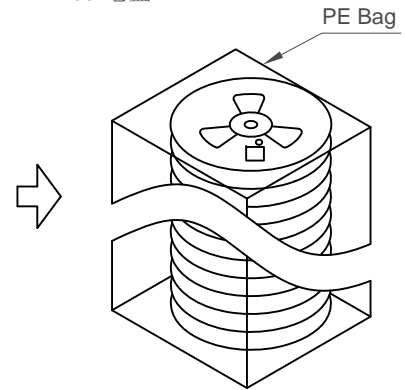
H  
G  
F  
E  
D  
C  
B  
A



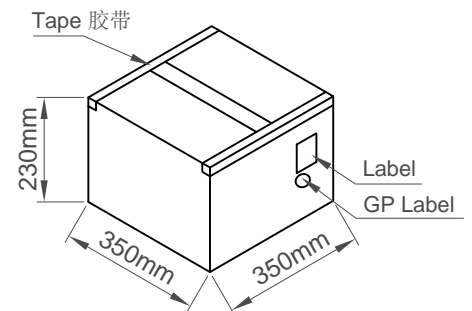
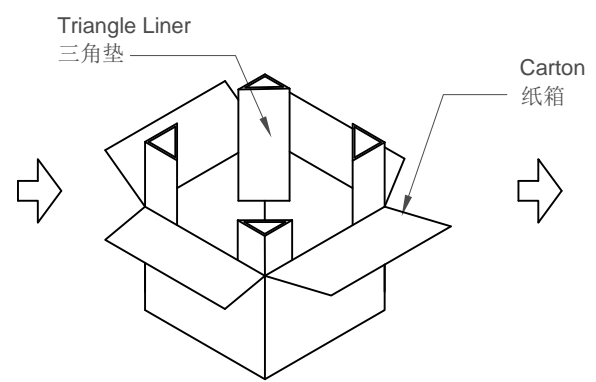
Products P/N	PCS/Reel	Reels/Carton	PCS/Carton
USB3105	1,500	10	15,000



1,500 Pieces/Reel  
1,500 件/卷



10 Reels  
10 卷



Part Number USB3105		Product Description Micro USB Receptacle, Type AB, Through-Hole, Vertical, with 1.5mm Through-Hole Shell Stakes			This drawing is confidential and copyright of Global Connector Technology, Ltd (GCT). This drawing must not be copied or disclosed without written consent. E & OE
Drawing Date 4th April 2011					
By CC	Detail USB3105 F PCN	Tolerances (Except as Noted) Length	Angle	Units: Metric (mm)	
Revision F3	Date 15/06/17				



Not to Scale  
Drawn By  
AJO  
Sheet No.  
2/2

1 2 3 4 5 6 7 8