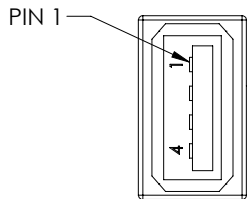
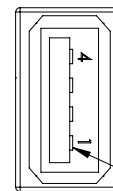
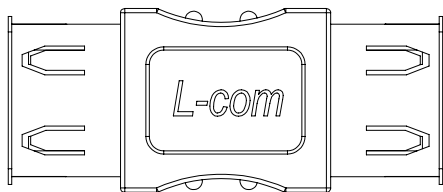
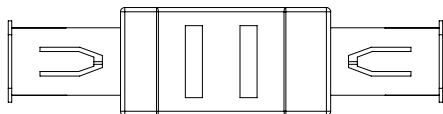
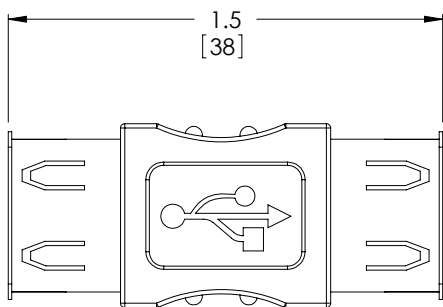


THE INFORMATION CONTAINED IN THIS DRAWING IS THE SOLE PROPERTY OF L-COM, INC., ANY REPRODUCTION IN PART OR WHOLE WITHOUT THE WRITTEN PERMISSION OF L-COM, INC. IS PROHIBITED.

REVISIONS			
REV	DESCRIPTION	DATE	APPROVED
A	DRAWING REPLACES UAD015FF-OD1 AT REV E	11/19/14	D. CASTRO



SERIES "A" USB JACK
J1



SERIES "A" USB JACK
J2

WIRE MAP	
"J1"	"J2"
1	1
2	2
3	3
4	4
GRD	GRD

NOTES:

MATERIALS:

OVERMOLD: PVC
CONTACTS: BRASS
INSULATOR: PBT, UL94V-0

FINISH:

SHELL: NICKEL SILVER
CONTACTS: GOLD OVER NICKEL

ELECTRICAL:

CURRENT RATING: 3 AMP
DIELECTRIC STRENGTH: 1000V AC FOR ONE MINUTE
INSULATOR RESISTANCE: 1000Ω MIN AT 500V DC

MISCELLANEOUS:

ADAPTER SHALL BE USB 2.0 COMPLIANT.
ALL DIMENSIONS ARE FOR REFERENCE ONLY.
ADAPTER SHALL BE TESTED FOR CONTINUITY.
ADAPTER SHALL BE INDIVIDUALLY PACKAGED IN ACCORDANCE WITH L-COM SPECIFICATION PS-0031.

REGULATORY COMPLIANCE:

CE2011/65/EU (RoHS DIRECTIVE)

UNLESS OTHERWISE SPECIFIED, DIMENSIONS ARE IN INCHES [mm] OVERALL CABLE LENGTH TOLERANCE: ≤12 [305] = +1 [25] / -0 >12 [305] ≤60 [1524] = +2 [51] / -0 >60 [1524] ≤120 [3048] = +4 [102] / -0 >120 [3048] ≤300 [7620] = +6 [152] / -0 >300 [7620] = +5% / -0% ALL OTHER DIMENSIONAL TOLERANCES: .X = ± .2 [5.08] .XX = ± .02 [51] .XXX = ±.005 [1.27]	APPROVALS DRAWN BY C.MCCORMICK	DATE 12/20/2002		45 BEECHWOOD DRIVE NORTH ANDOVER, MA 01845	
	CHECKED BY D.PARHAM	DATE 12/20/2002		CATEGORY USB	
	APPROVED BY R.CARRICK	DATE 12/20/2002	PRODUCT DESCRIPTION ADPT, USB A-F/A-F	SCALE: NONE	CAD FILE: UAD015FF.SLDDRW
	PROJECTION 	CONFIGURATION DETAILS OF UNDIMENSIONED FEATURES MAY VARY	COLOR VARIATIONS MAY OCCUR	SIZE A	FSCM NO. 43321