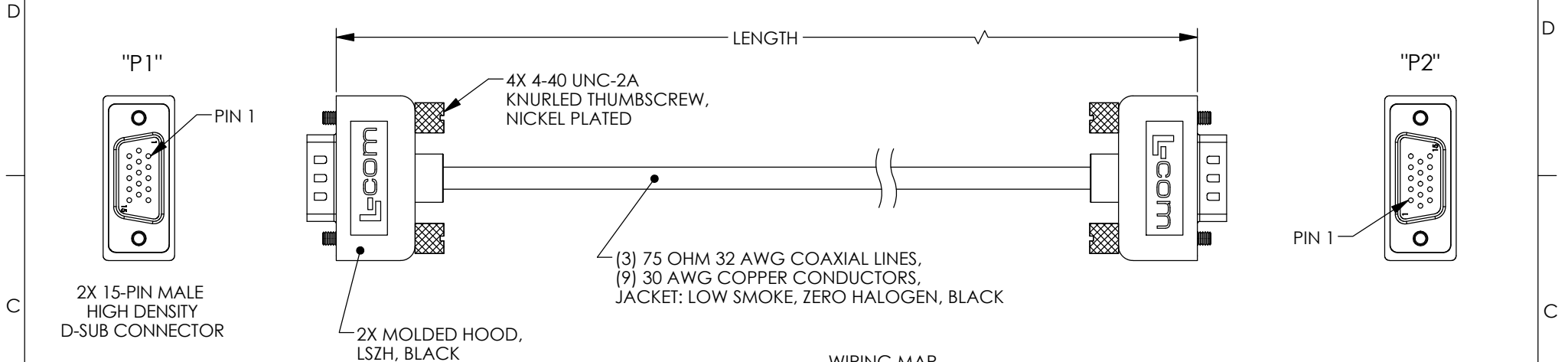


THE INFORMATION CONTAINED IN THIS DRAWING IS THE SOLE PROPERTY OF L-COM, INC. ANY REPRODUCTION IN PART OR WHOLE WITHOUT THE WRITTEN PERMISSION OF L-COM, INC. IS PROHIBITED.

REVISIONS			
REV	DESCRIPTION	DATE	APPROVED
E	ECN 6807: REVISED L-COM LOGO'S, NEW FORMAT, REVISED PACKAGING	4/18/13	D.FRISIELLO
F	ECN 7355: REVISED POSITION OF PIN 1 CALL OUTS, ROHS NOTE, FORMAT	3/25/14	D.FRISIELLO
G	ECN 7693: CHANGED GREEN COAX TO YELLOW COAX	12/1/14	D.FRISIELLO

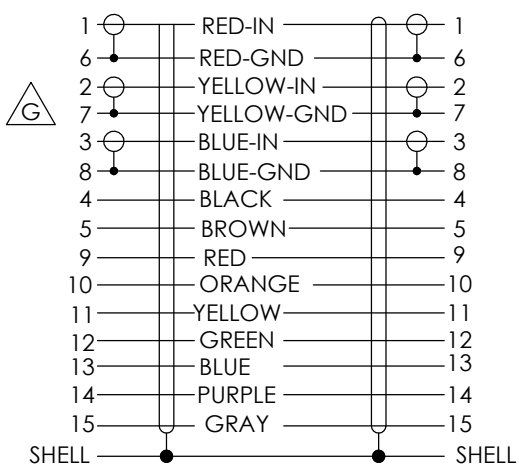


NOTES:

1. CABLE ASSEMBLY SHALL BE TESTED FOR CONTINUITY.
2. CABLE ASSEMBLY SHALL BE INDIVIDUALLY PACKAGED IN ACCORDANCE WITH L-COM SPECIFICATION PS-0031.

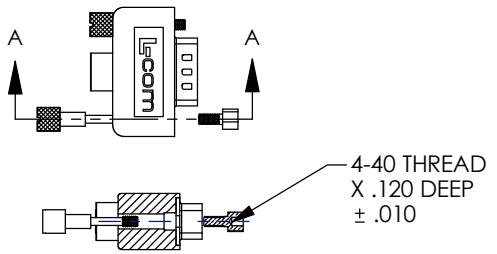
REGULATORY COMPLIANCE:
CE2011/65/EU(RoHS DIRECTIVE)

WIRING MAP



MODEL NUMBER	LENGTH FEET [METERS]
CTL3VGAMM-5TZ	5.0 [1.52]
CTL3VGAMM-10TZ	10.0 [3.05]
CTL3VGAMM-15TZ	15.0 [4.57]
CTL3VGAMM-25TZ	25.0 [7.62]
CTL3VGAMM-50TZ	50.0 [15.24]

MOUNTING HARDWARE DETAIL



SECTION A-A
SCALE 1 : 2

CABLES ARE SHIPPED WITH THUMBSCREWS INSTALLED AND FOUR HEX SCREW LOCKS FOR OPTIONAL USE. THUMBSCREWS MAY BE REMOVED EASILY AND THE HEX SCREW LOCKS MOUNTED IN THE CAPTIVE NUTS OF THE CONNECTOR.

UNLESS OTHERWISE SPECIFIED, DIMENSIONS ARE IN INCHES [mm] OVERALL CABLE LENGTH TOLERANCE: ≤12 [305] = +1 [25] / -0 >12 [305] ≤60 [1524] = +2 [51] / -0 >60 [1524] ≤120 [3048] = +4 [102] / -0 >120 [3048] ≤300 [7620] = +6 [152] / -0 >300 [7620] = +5% / -0%	APPROVALS	DATE		45 BEECHWOOD DRIVE NORTH ANDOVER, MA 01845
	DRAWN BY D.PARHAM	07/14/2005		
ALL OTHER DIMENSIONAL TOLERANCES: .X = ± .2 [5.08] .XX = ± .02 [1.51] .XXX = ± .005 [1.13]	CHECKED BY M.LAHEY	08/10/2005	CATEGORY AUDIO/VIDEO	
	APPROVED BY C.MCCORMICK	08/10/2005	PRODUCT DESCRIPTION SVGA HD15M/M SUPR-THN LSZH	
PROJECTION 	CONFIGURATION DETAILS OF UNDIMENSIONED FEATURES MAY VARY	COLOR VARIATIONS MAY OCCUR	SIZE A	FSCM NO. 43321
			DWG. NO. CTL3VGAMM-TZ	REV. G
			SCALE: NONE	CAD FILE: CTL3VGAMM-TZ.SLDRW
			SHEET 1 OF 1	