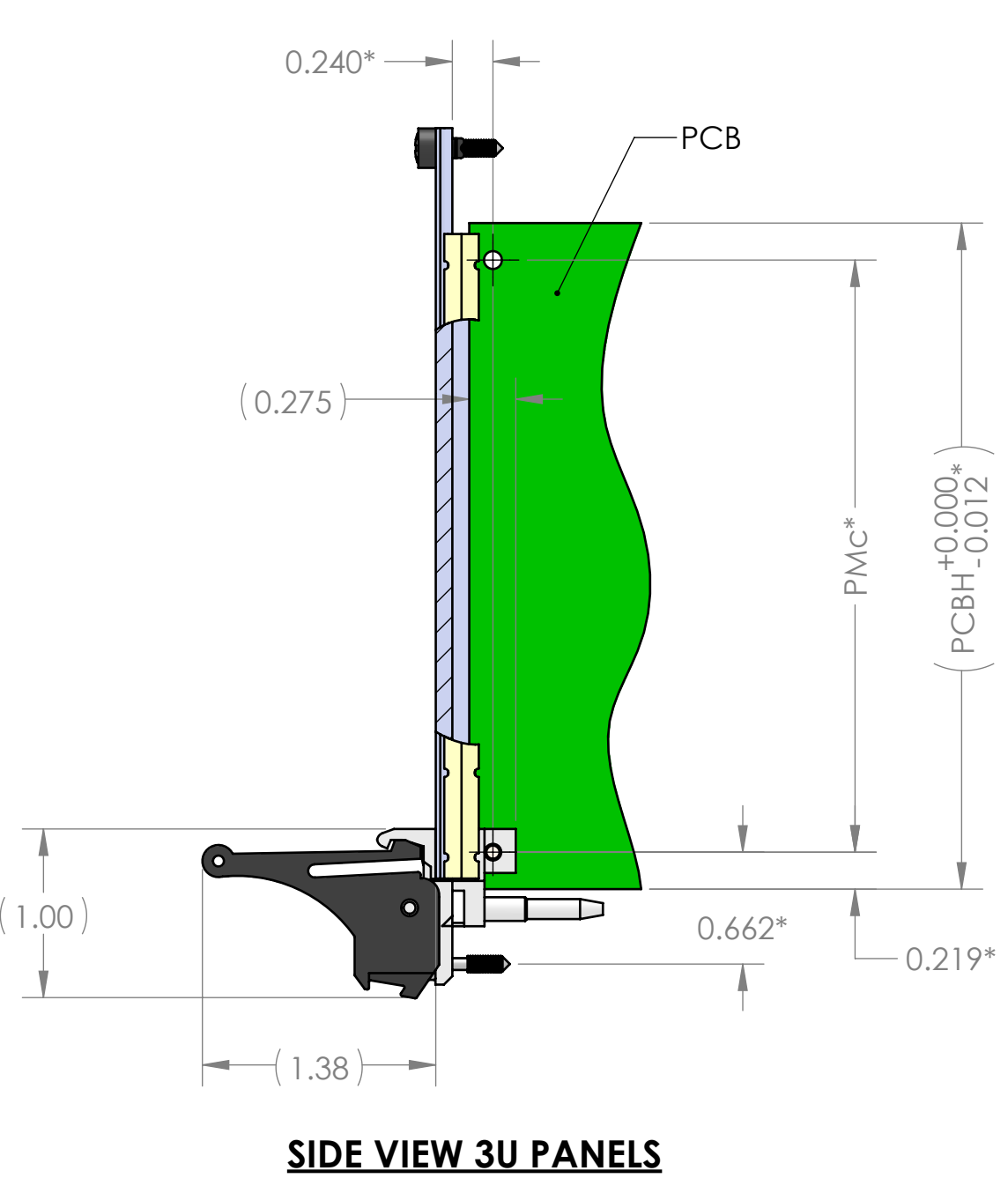
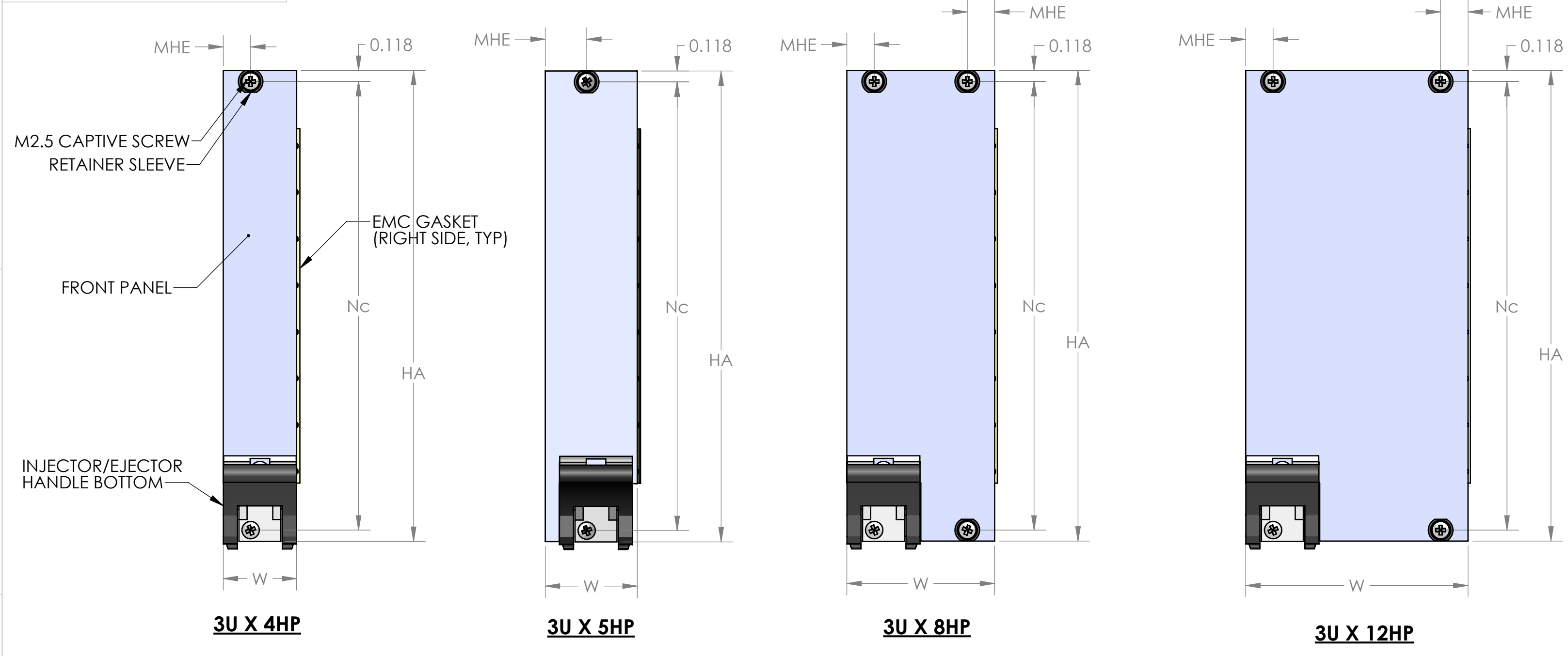


PROPRIETARY AND CONFIDENTIAL  
 THE INFORMATION CONTAINED IN THIS DRAWING IS THE SOLE PROPERTY OF VECTOR ELECTRONICS & TECHNOLOGY, INC. ANY REPRODUCTION IN PART OR AS A WHOLE WITHOUT THE WRITTEN PERMISSION OF VECTOR ELECTRONICS & TECHNOLOGY, INC. IS PROHIBITED.

REVISIONS				
ZONE	REV	DESCRIPTION	DATE	APPROVED
ALL	A	INITIAL RELEASE	02/23/15	
SHEET 2	B	SHEET 2, DIM "A" FOR 3U X 4HP AND 4U OR 9U X 4HP, WAS NOTED AS DIM "H"	04/01/15	
SHEET 3	C	ADDED 3U, RTM FRONT PANELS ON SHEET 3	02/01/17	

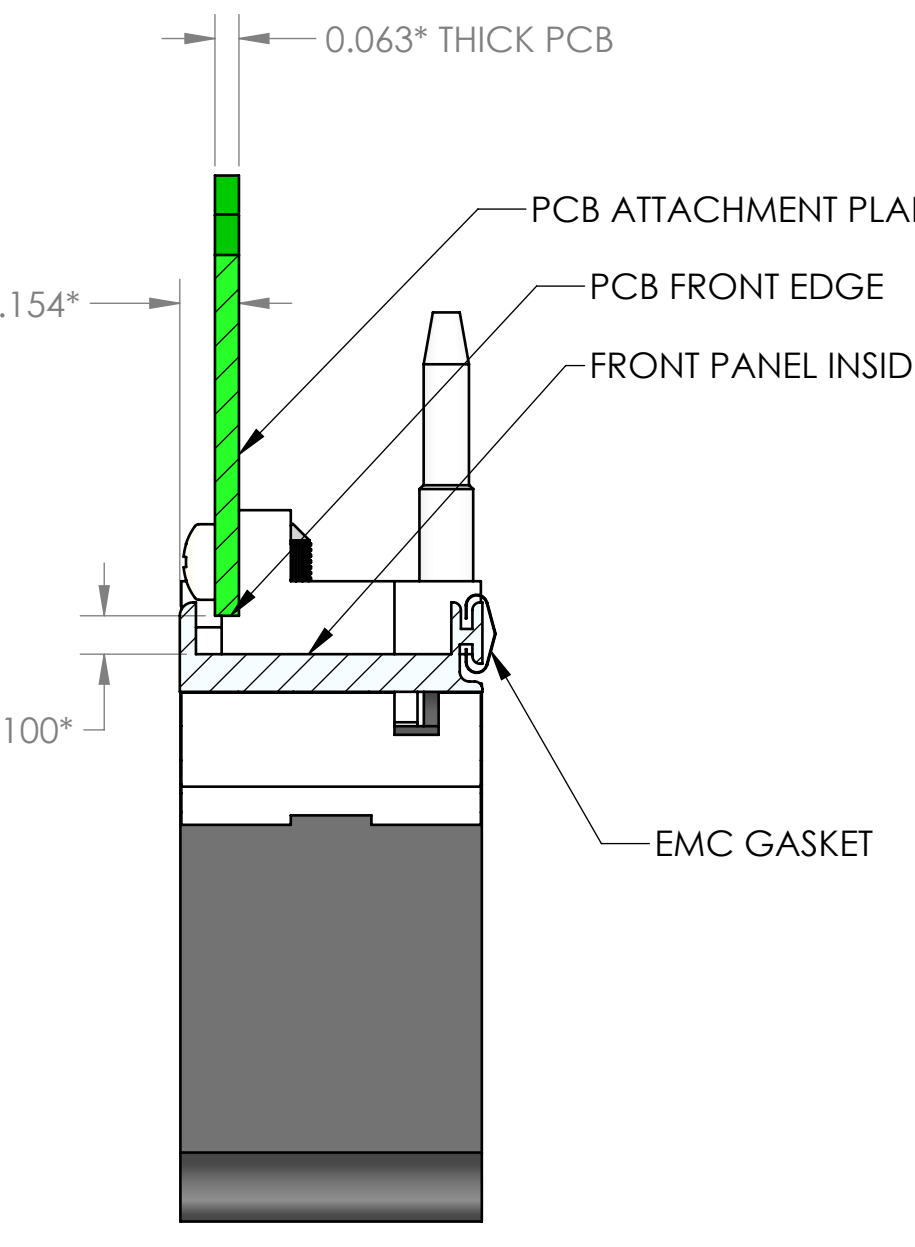
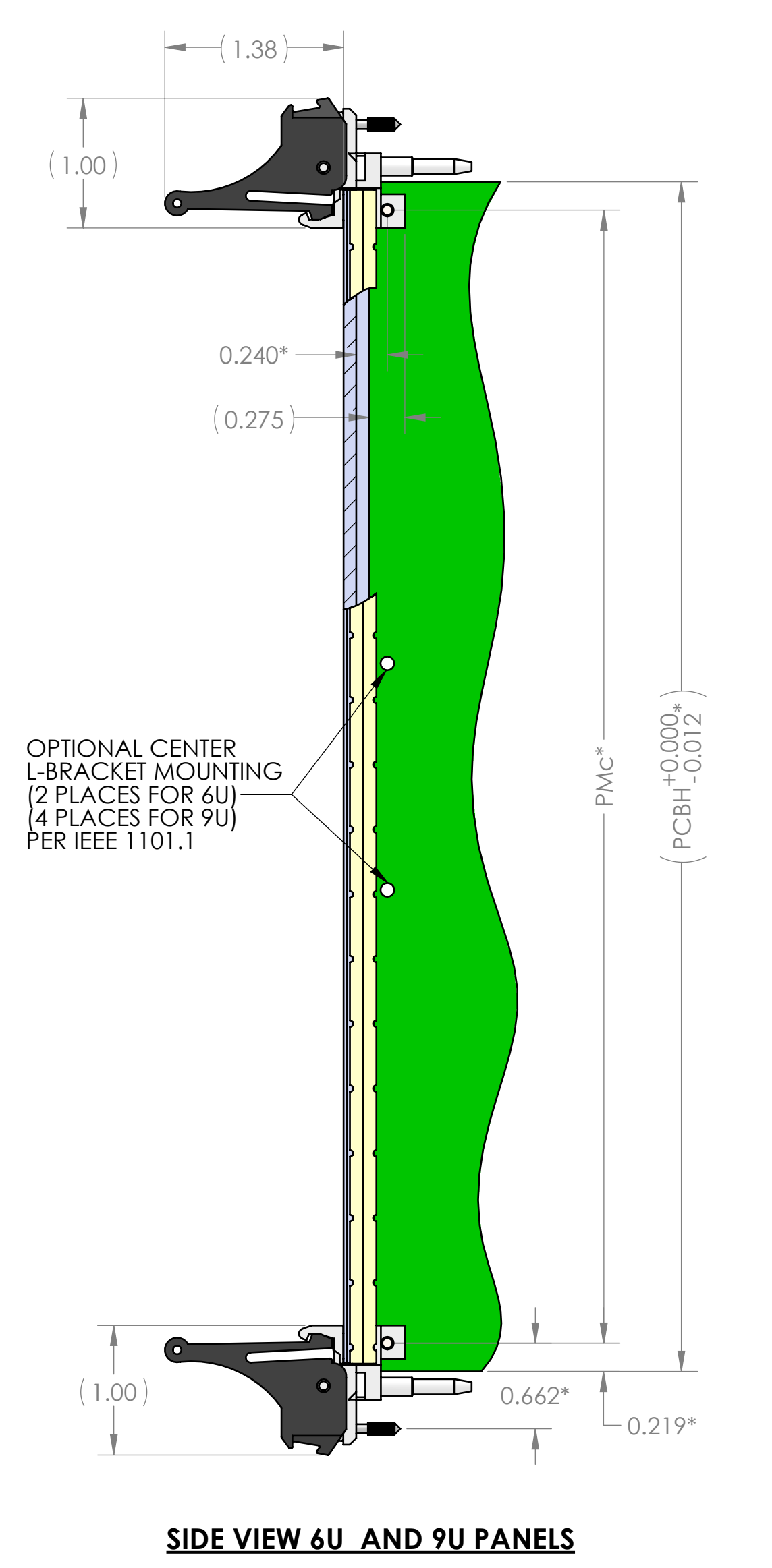
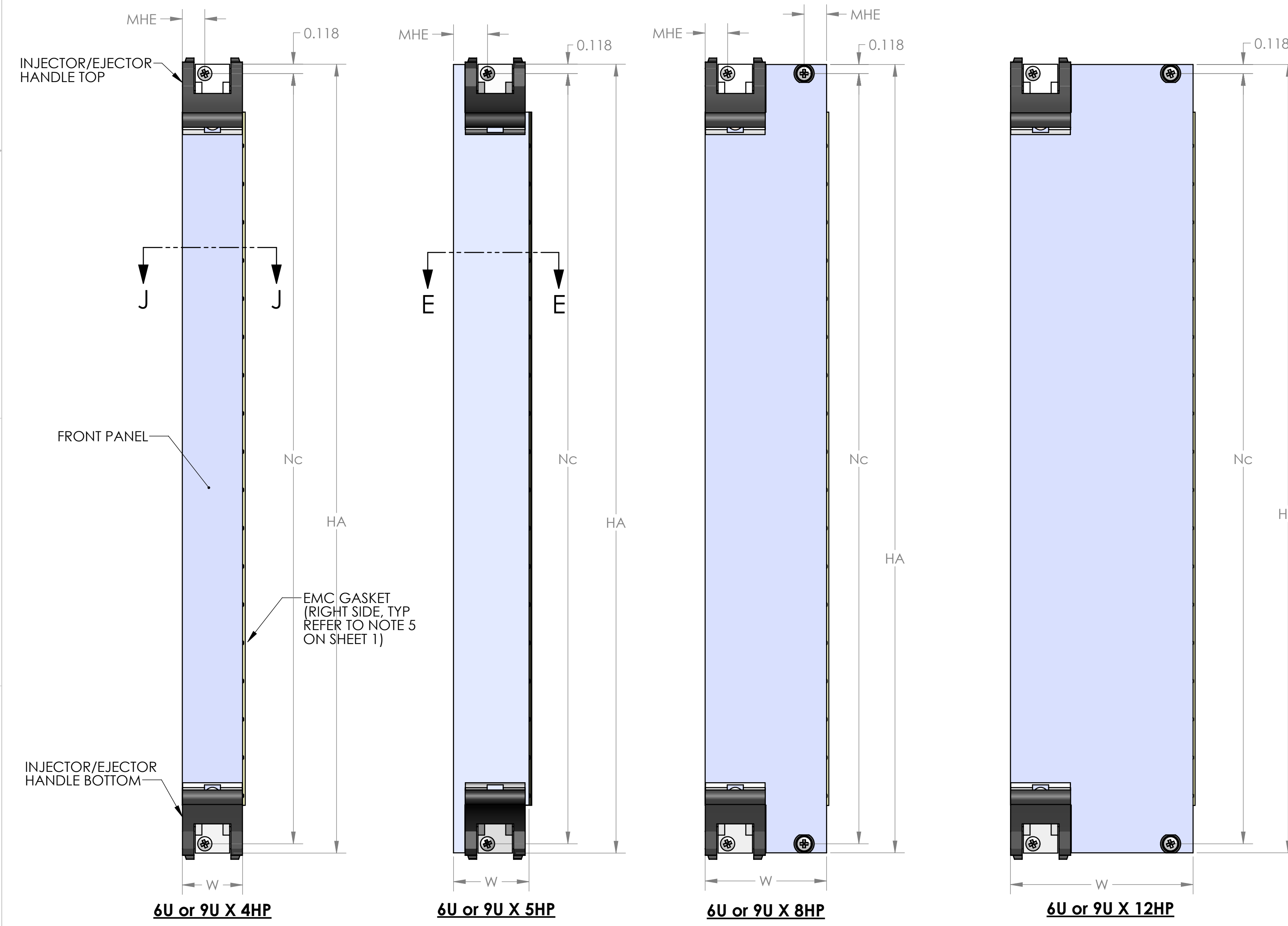


- NOTES:  
 1. FRONT PANELS ARE SHOWN WITH TYPE IV INJECTOR/EJECTOR HANDLES  
 2. TOP/BOTTOM INJECTOR/EJECTOR HANDLES AND PCB SHOWN FOR REFERENCE ONLY. NOT PART OF FRONT PANEL KIT  
 3. \* INDICATES DIMENSIONS PER IEEE 1101.10  
 4. HEIGHT DIM "H" INCLUDES TYPE IV HANDLE'S KEYING BRACKET  
 5. SHOWN AS FRONT PLUG-IN CARD. ROTATE 180° FOR RTM (REAR TRANSITION MODULE)

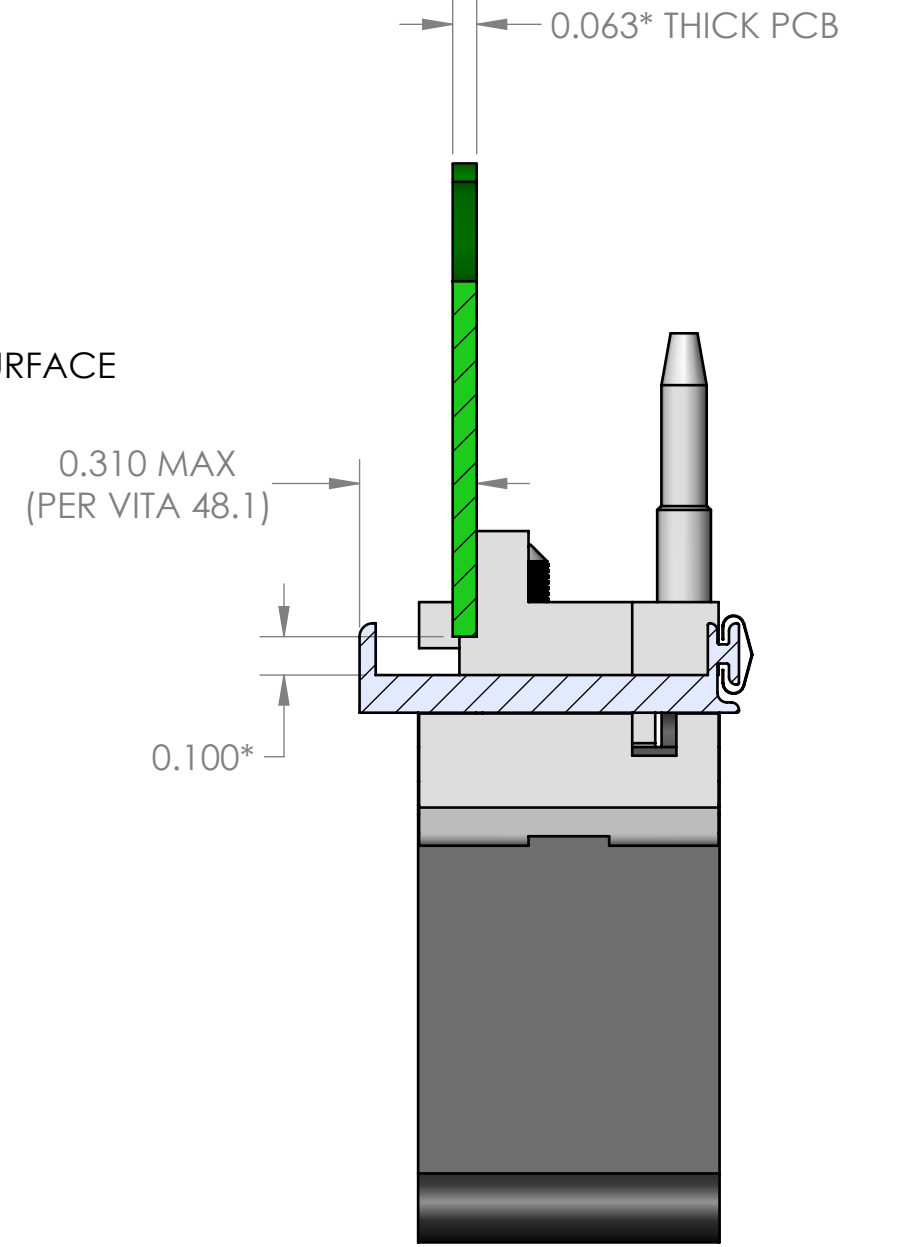
DIMENSIONS TABULATION

PART NO	DESCRIPTION	HA	WA	Nc	MHE	PMC	PCBH
FP52B4HP-1	3U X 4HP	5.059	0.788	4.823	0.294	3.500	3.937
FP52B5HP-1	3U X 5HP		0.988		0.445		
FP52B8HP-1	3U X 8HP		1.588		0.294		
FP52B12HP-1	3U X 12HP		2.388		0.294		
FP52B4HP-4	3U X 4HP	5.059	0.788	4.823	0.294	3.500	3.937
FP52B5HP-4	3U X 5HP		0.988		0.445		
FP52B8HP-4	3U X 8HP		1.588		0.294		
FP52B12HP-4	3U X 12HP		2.388		0.294		
FP10B4HP-1	6U X 4HP	10.309	0.788	10.073	0.294	8.750	9.187
FP10B5HP-1	6U X 5HP		0.988		0.445		
FP10B8HP-1	6U X 8HP		1.588		0.294		
FP10B12HP-1	6U X 12HP		2.388		0.294		
FP15B4HP-1	9U X 4HP	15.559	0.788	15.323	0.294	14.000	14.437
FP15B5HP-1	9U X 5HP		0.988		0.445		
FP15B8HP-1	9U X 8HP		1.588		0.294		
FP15B12HP-1	9U X 12HP		2.388		0.294		

3U FRONT PLUG-IN CARDS, SEE SHEET 3 FOR 3U RTM (REAR TRANSITION MODULE)



SECTION J-J  
 FOR 3U, 6U, AND 9U  
 4HP, 8HP, 12HP WIDE PANELS.  
 FRONT PLUG-IN CARDS.  
 SCALE 2 : 1



SECTION E-E  
 FOR 3U, 6U, AND 9U  
 5HP WIDE PANELS.  
 FRONT PLUG-IN CARDS.  
 SCALE 2 : 1

OPTIONAL CENTER L-BRACKET MOUNTING  
 (2 PLACES FOR 6U)  
 (4 PLACES FOR 9U)  
 PER IEEE 1101.1

SIDE VIEW 6U AND 9U PANELS

6U/9U FRONT PLUG-IN CARDS AND RTM (REAR TRANSITION MODULE)

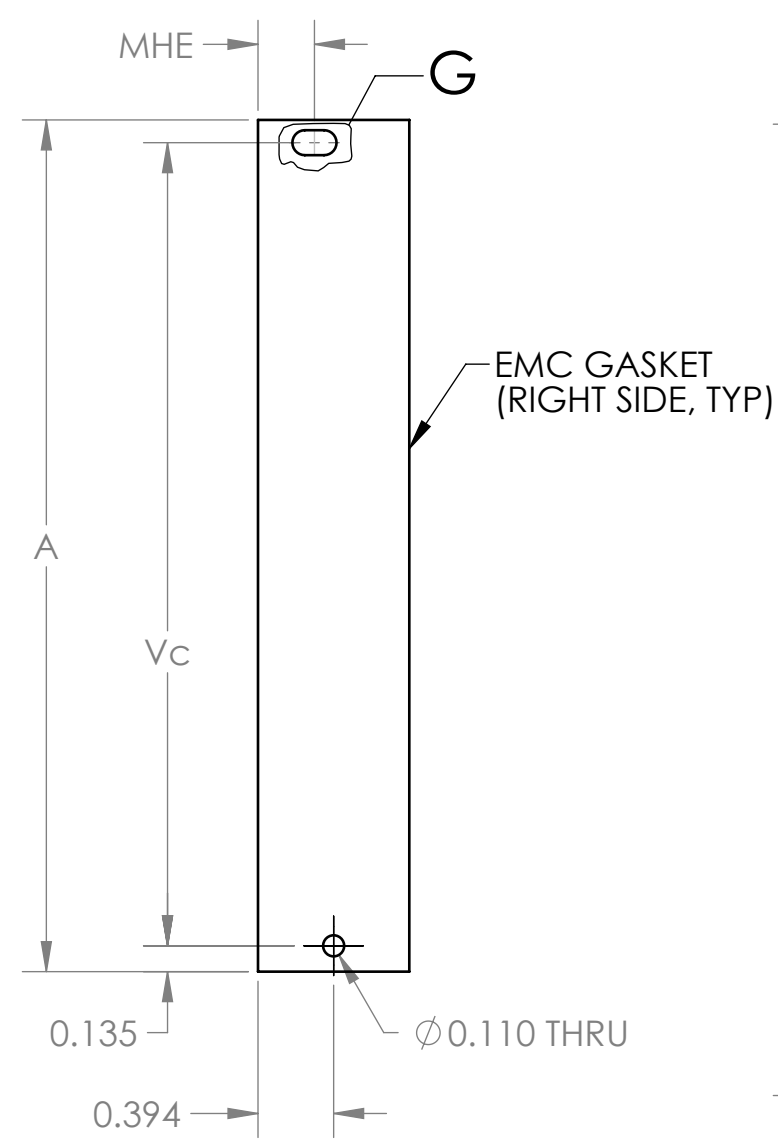
UNLESS OTHERWISE SPECIFIED:  
 DIMENSIONS ARE IN INCHES  
 TOLERANCES:  
 DEC. X.X ±0.1  
 DEC. X.XX ±0.03  
 DEC. X.XXX ±0.010  
 FRACTIONS ±0.000  
 ANGLES ±1°  
 THIRD ANGLE PROJECTION

DRAWN	TRISHAR	DATE	02/23/15
CHECKED			
ENG APPR.			
MFG APPR.			
Q.A.			

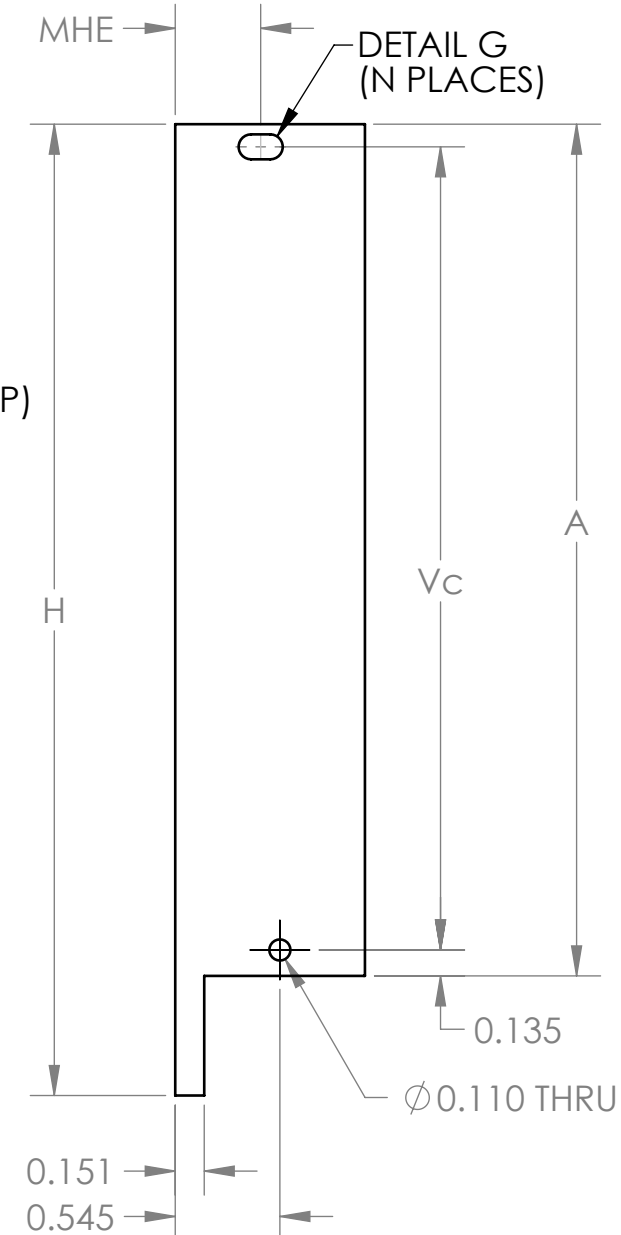
VECTOR ELECTRONICS & TECHNOLOGY, INC. 81115 VANOWEN ST., NORTH HOLLYWOOD, CA 91365

EMC FRONT PANEL, 1101.10 / 1101.11

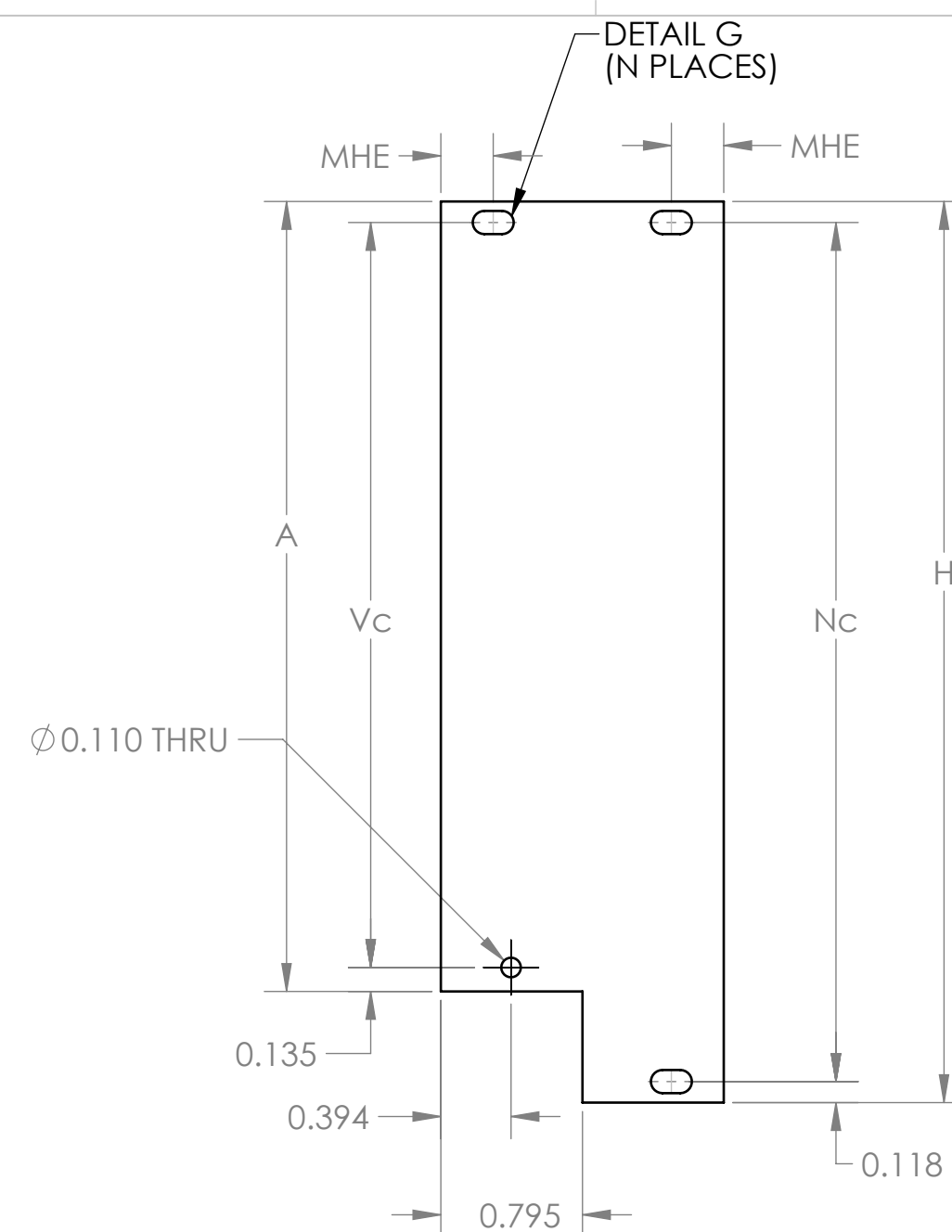
SIZE: D DWG. NO.: FPXXBXHP-1 REV: C  
 SCALE: 1:1 CAGE CODE: 82893 SHEET 1 OF 3



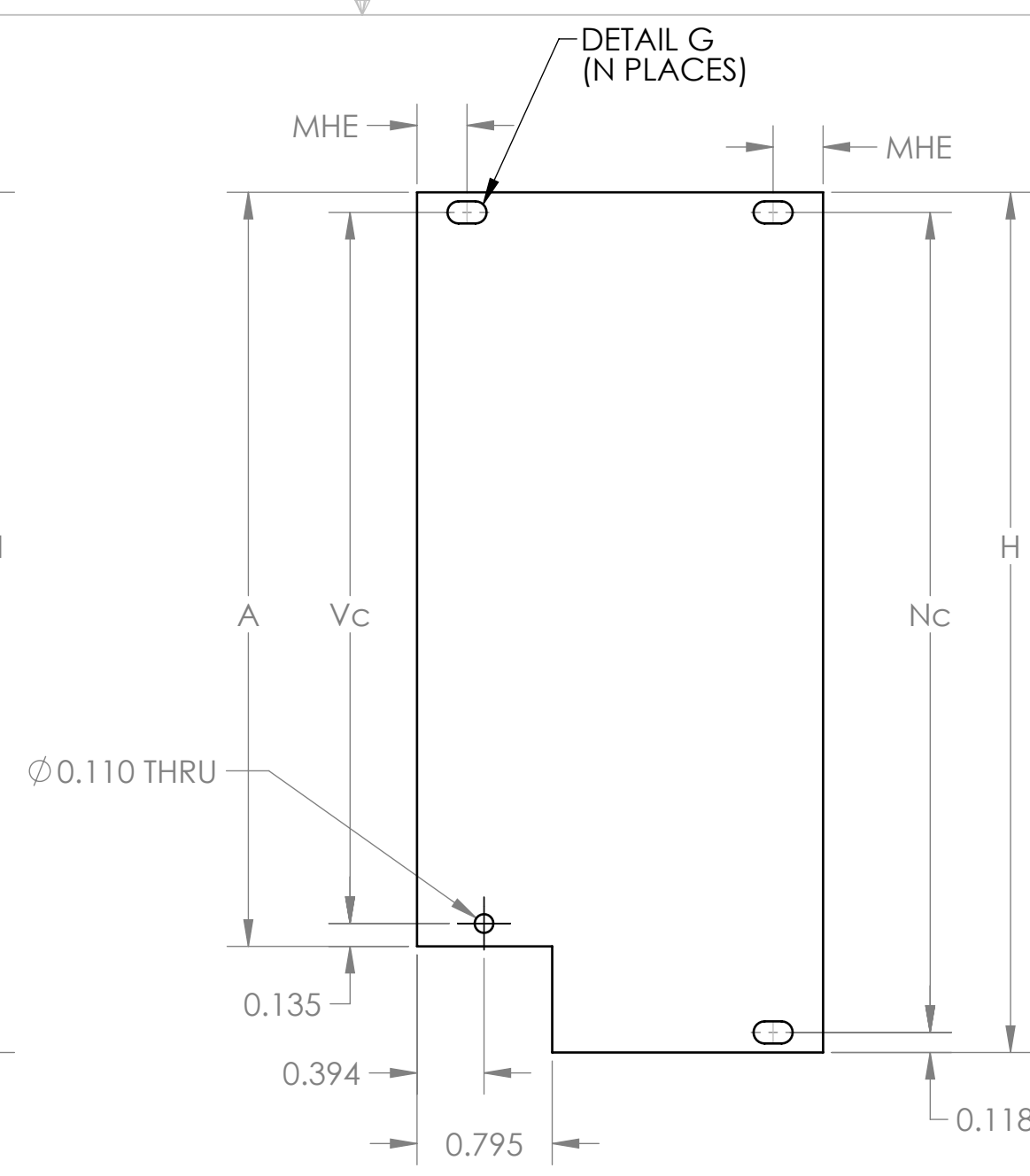
**3U X 4HP**



**3U X 5HP**



**3U X 8HP**



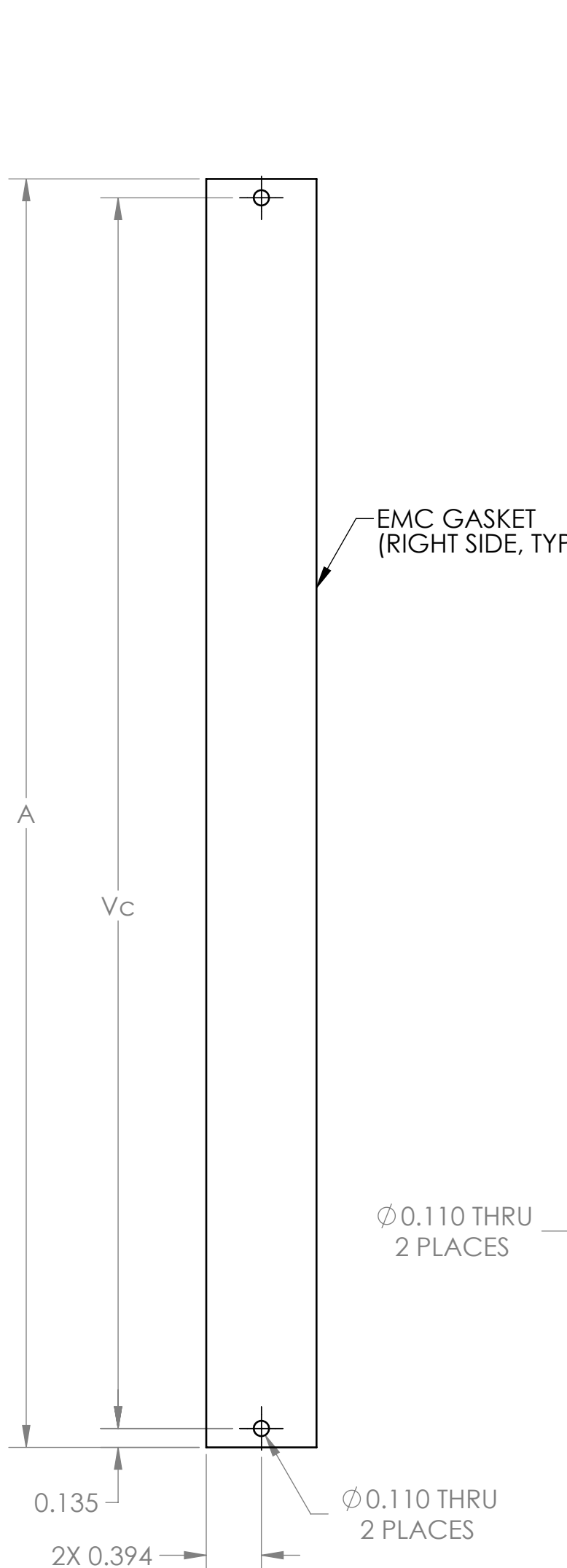
**3U X 12HP**



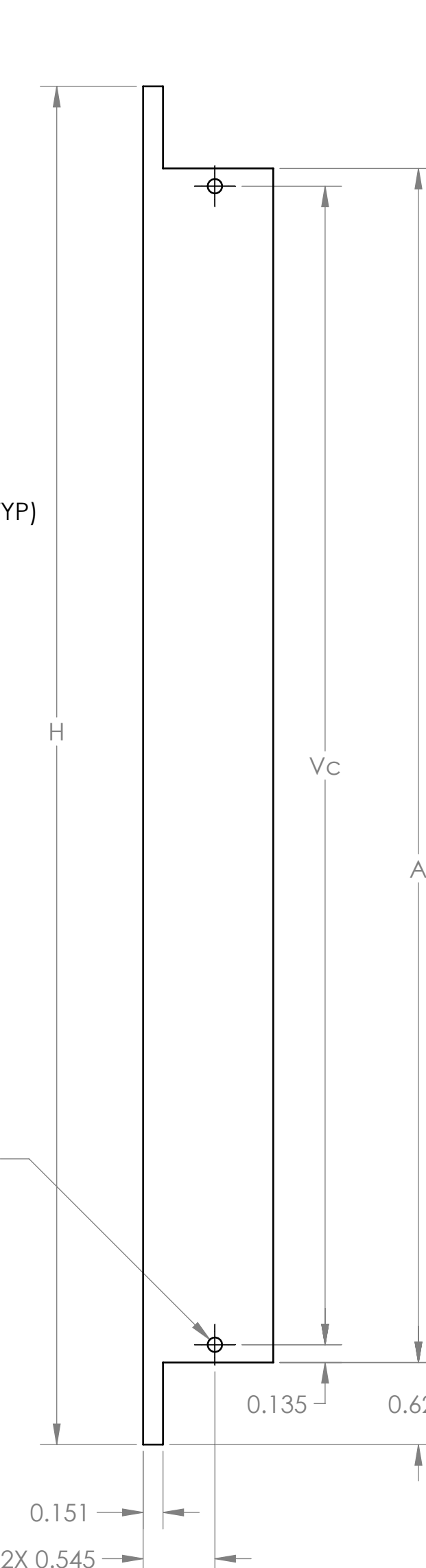
NOTES:  
 1. MATERIAL : ALUMINUM EXTRUSION, 6063-T5  
 2. FRONT SURFACE GRAINED IN DIRECTION OF MATERIAL GRAIN  
 3. FINISH : CLEAR CHEM FILM, MIL-C-5541, CLASS 3

DIMENSIONS TABULATION									
PART NO	DESCRIPTION	H	W	MHE	Nc	Vc	A	PLACES N	
FP52B4HP-1	3U X 4HP	-	0.788	0.294	-	4.183	4.436	1	USE WITH FRONT PLUG-IN CARDS
FP52B5HP-1	3U X 5HP	5.059	0.988	0.445	-			1	
FP52B8HP-1	3U X 8HP	-	1.588	0.294	4.823			3	
FP52B12HP-1	3U X 12HP	-	2.388	0.294	4.823			3	
FP52B4HP-4	3U X 4HP	-	0.788	0.294	-	4.183	4.436	1	USE WITH RTM (REAR TRANSITION MODULE)
FP52B5HP-4	3U X 5HP	5.059	0.988	0.445	-			1	
FP52B8HP-4	3U X 8HP	-	1.588	0.294	4.823			3	
FP52B12HP-4	3U X 12HP	-	2.388	0.294	4.823			3	
FP10B4HP-1	6U X 4HP	-	0.788	-	-	8.793	9.063	-	USE WITH FRONT AND RTM PLUG-IN CARDS
FP10B5HP-1	6U X 5HP	10.309	0.988	-	-			-	
FP10B8HP-1	6U X 8HP	-	1.588	0.294	10.073			2	
FP10B12HP-1	6U X 12HP	-	2.388	0.294	10.073			2	
FP15B4HP-1	9U X 4HP	-	0.788	-	-	14.043	14.313	-	USE WITH FRONT AND RTM PLUG-IN CARDS
FP15B5HP-1	9U X 5HP	15.559	0.988	-	-			-	
FP15B8HP-1	9U X 8HP	-	1.588	0.294	15.323			2	
FP15B12HP-1	9U X 12HP	-	2.388	0.294	15.323			2	

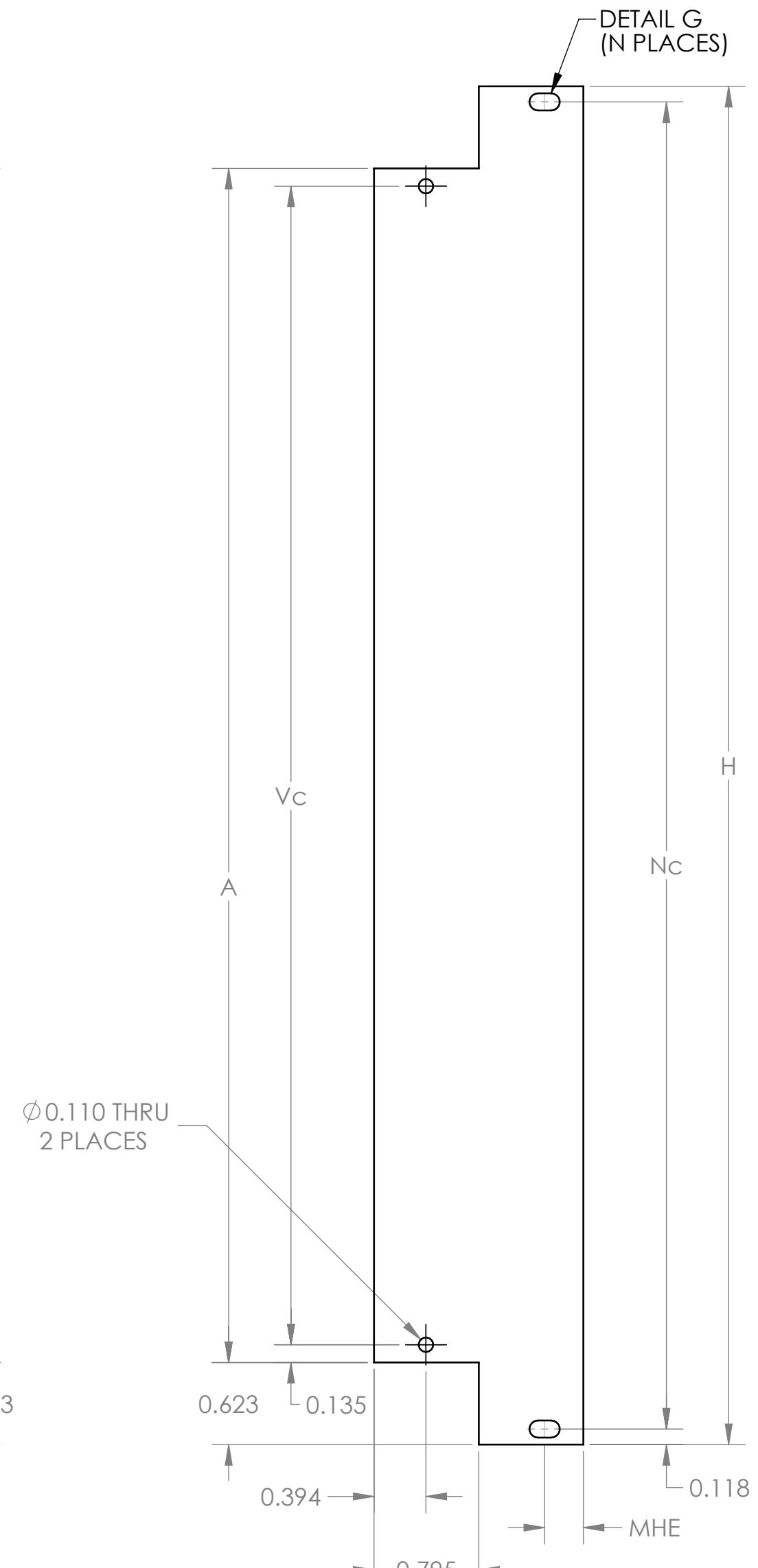
**3U FRONT PLUG-IN CARDS, SEE SHEET 3 FOR 3U RTM (REAR TRANSITION MODULE)**



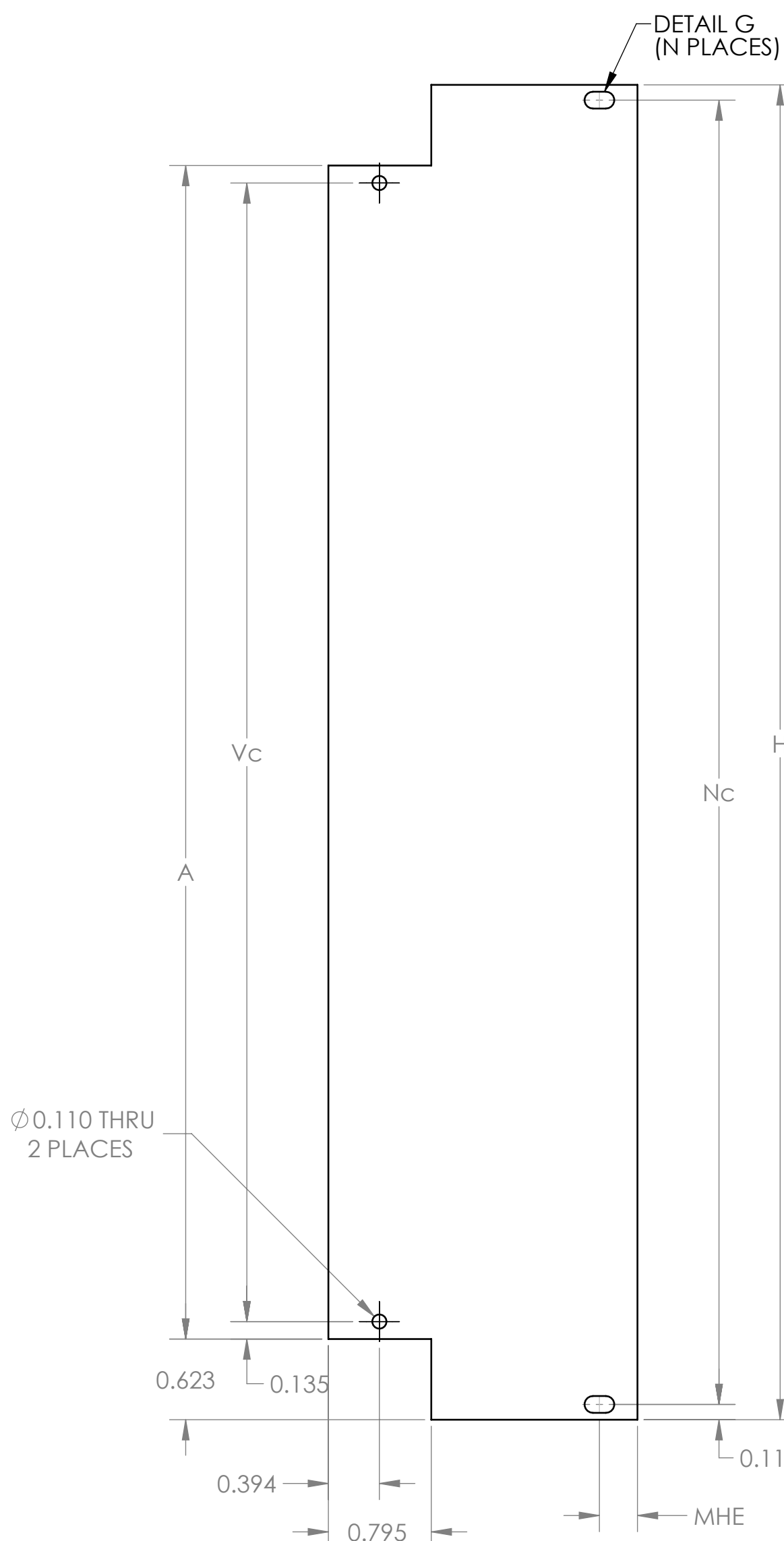
**6U or 9U X 4HP**



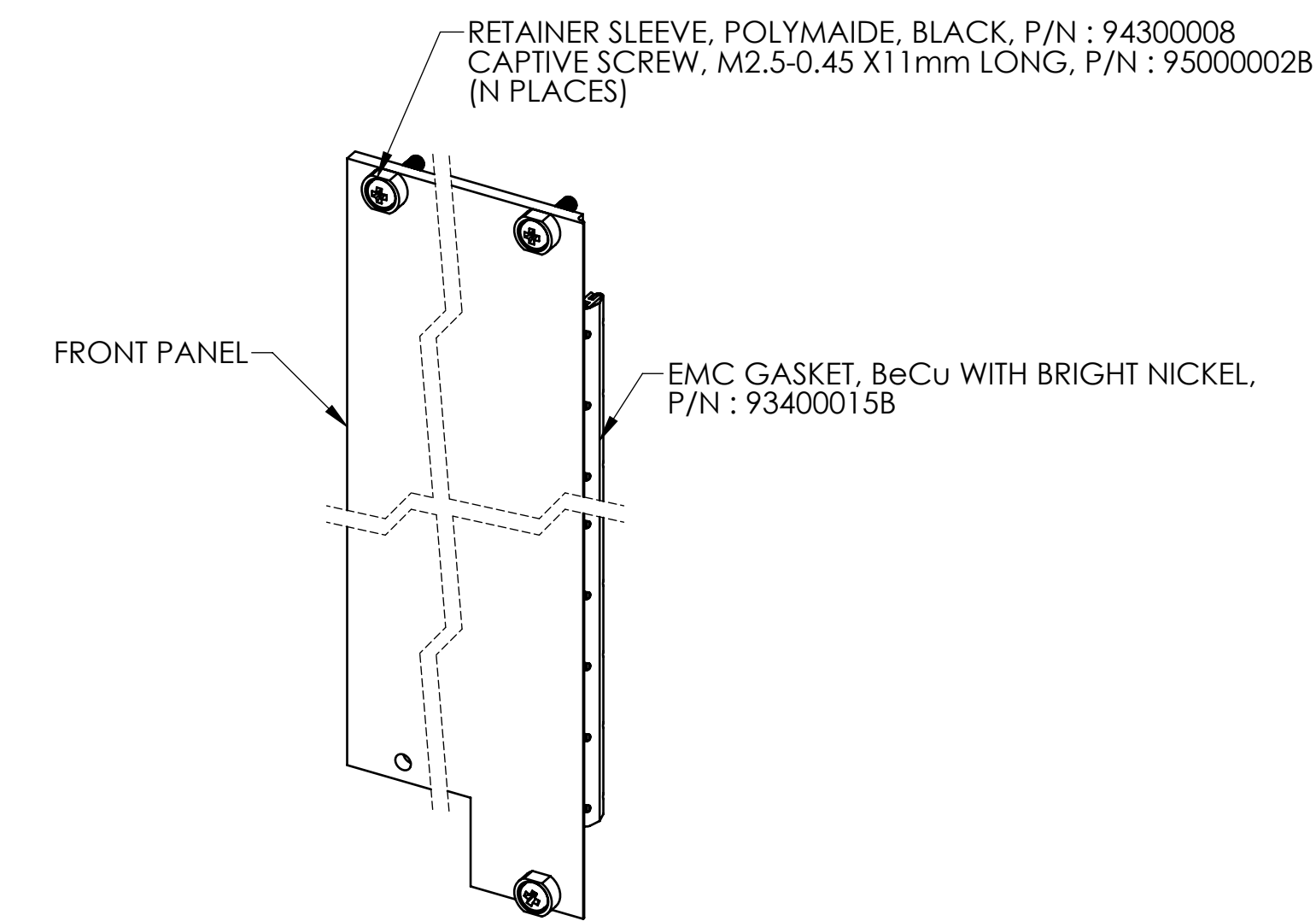
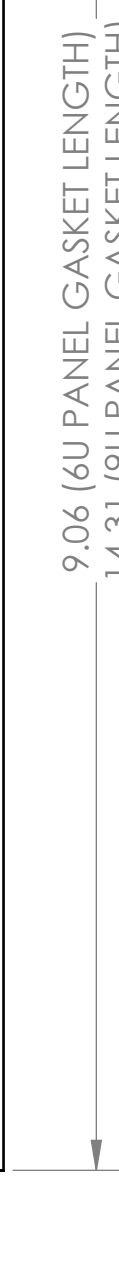
**6U or 9U X 5HP**



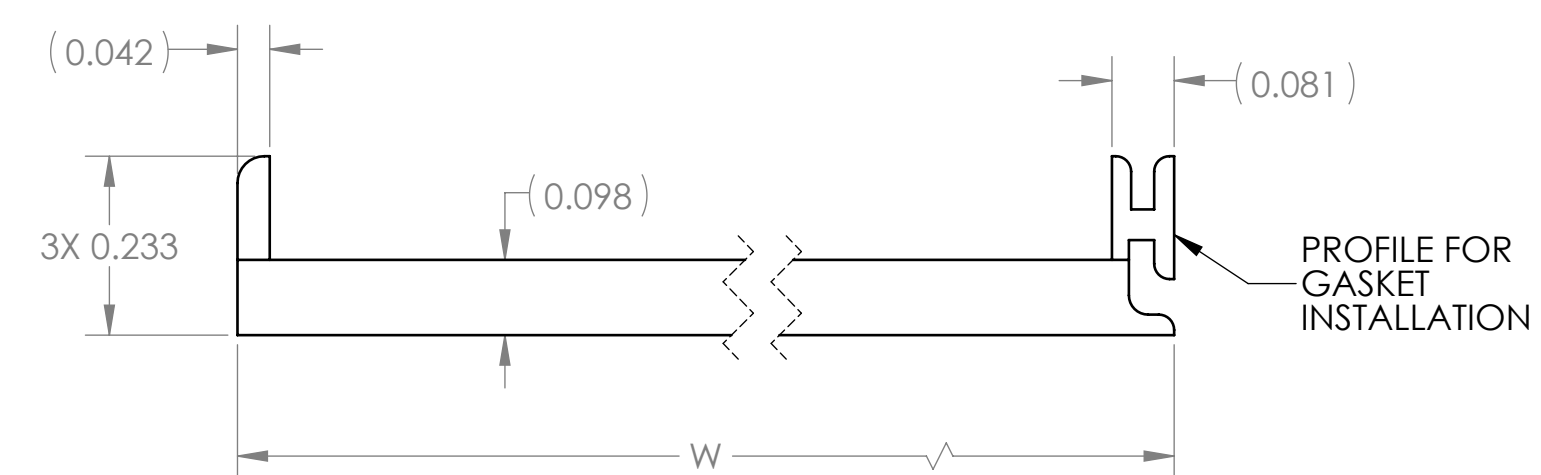
**6U or 9U X 8HP**



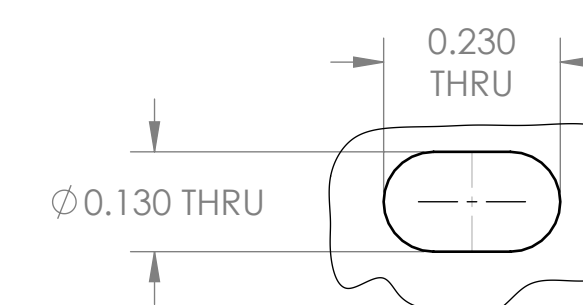
**6U or 9U X 12HP**



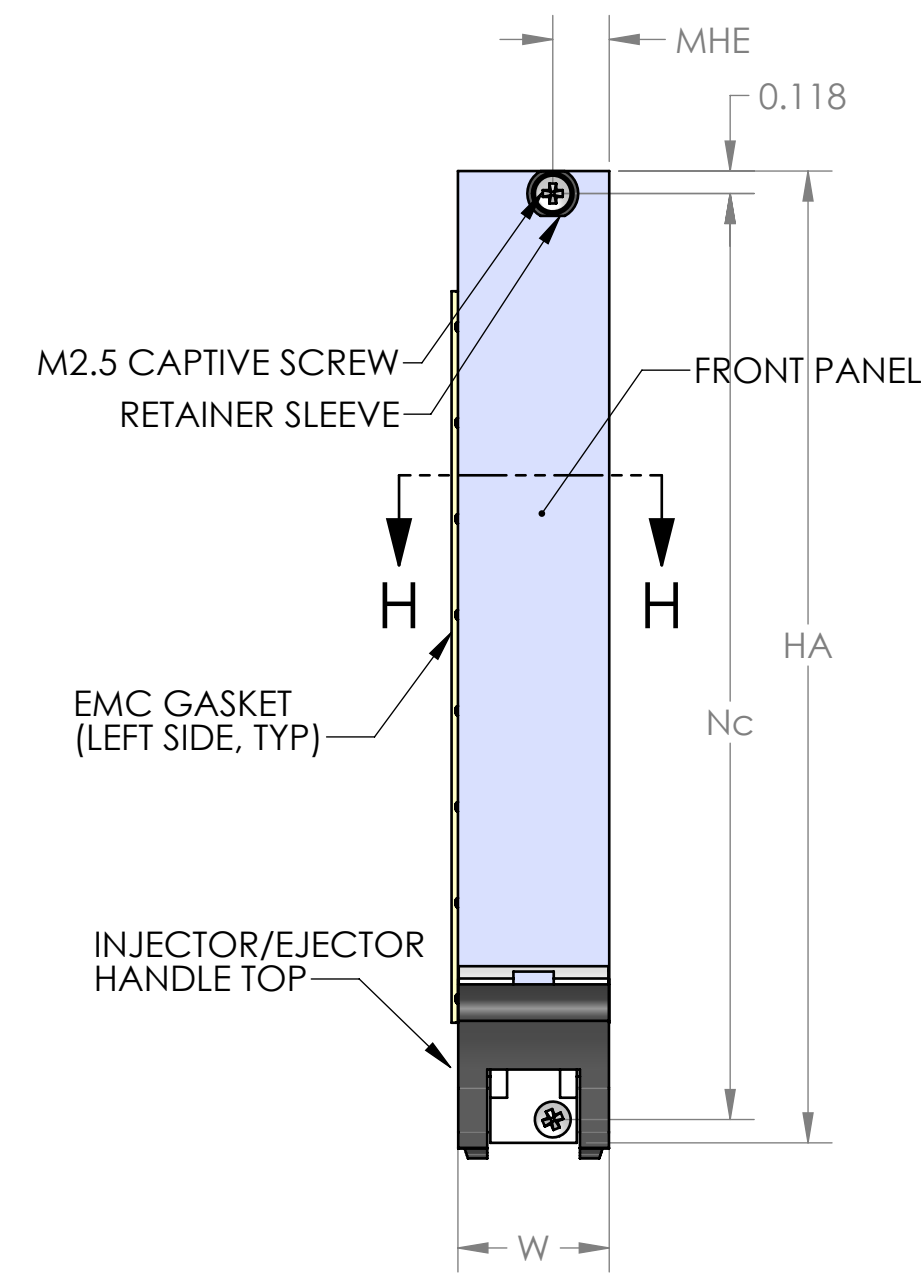
**FPXXAXHP-1 FRONT PANEL ASSY**



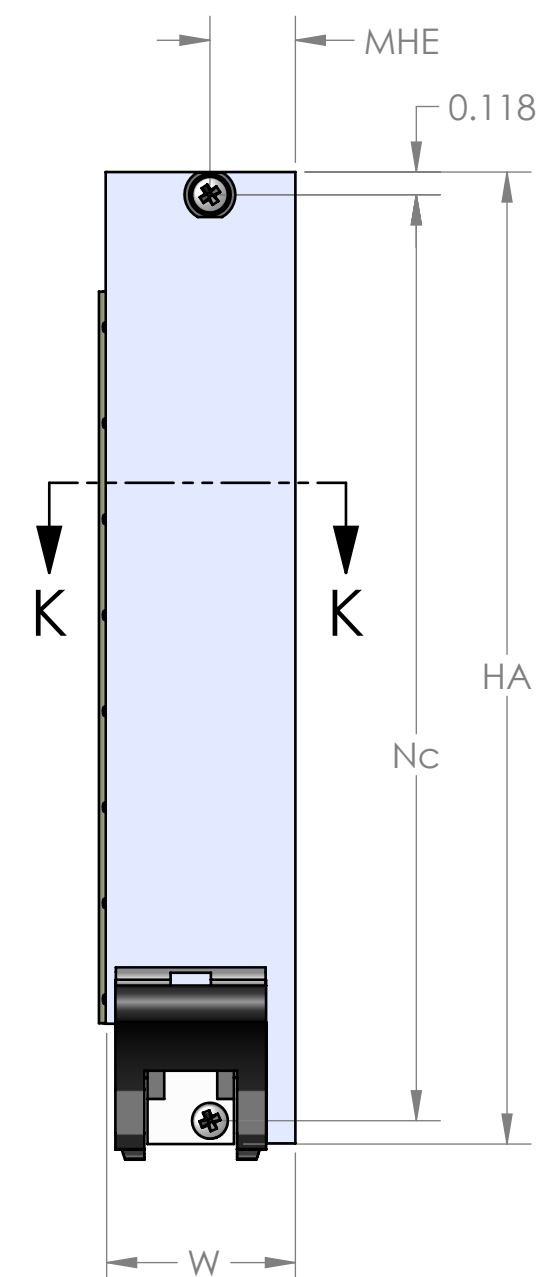
**PANEL PROFILE DETAIL**



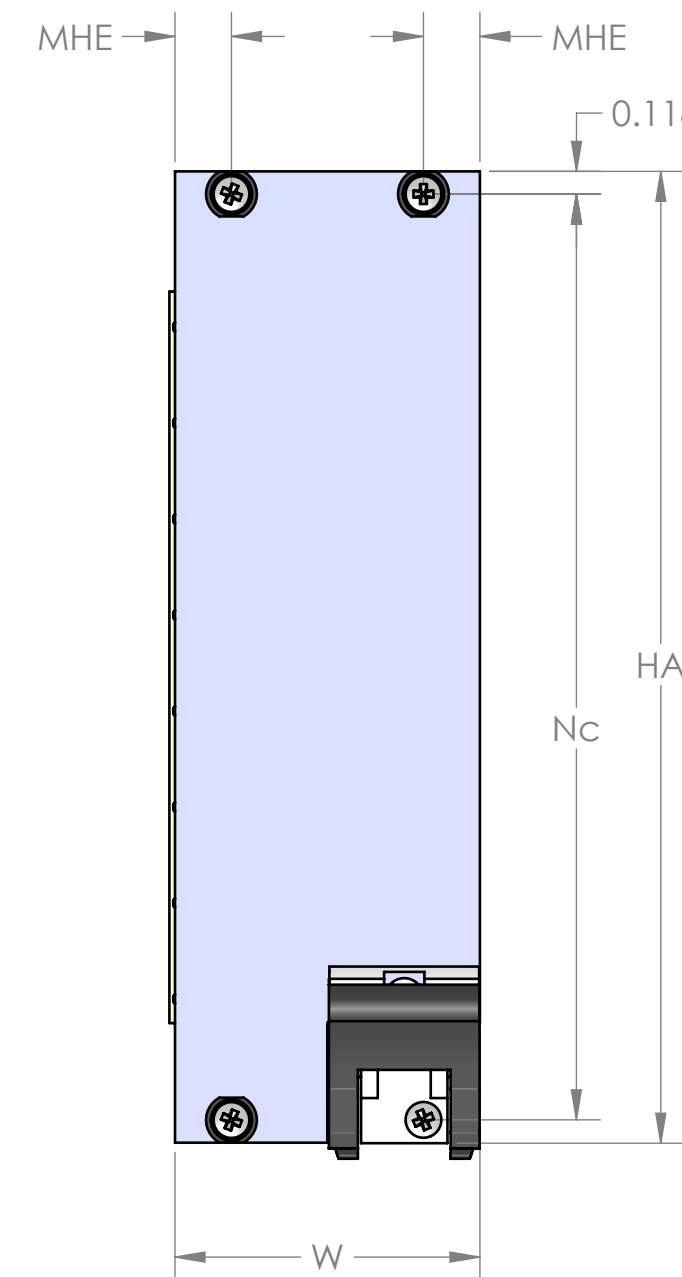
**DETAIL G  
SCALE 4 : 1**



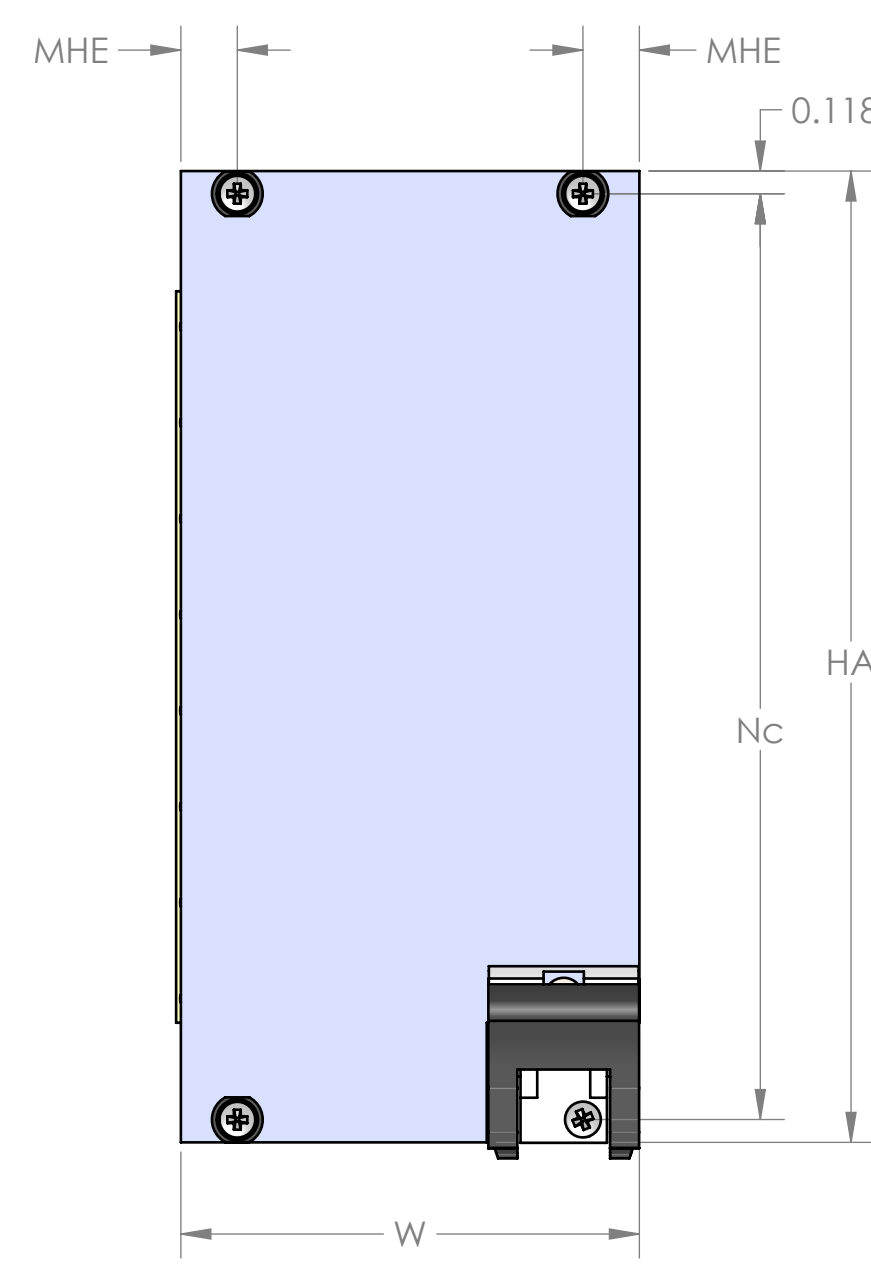
**3U X 4HP**



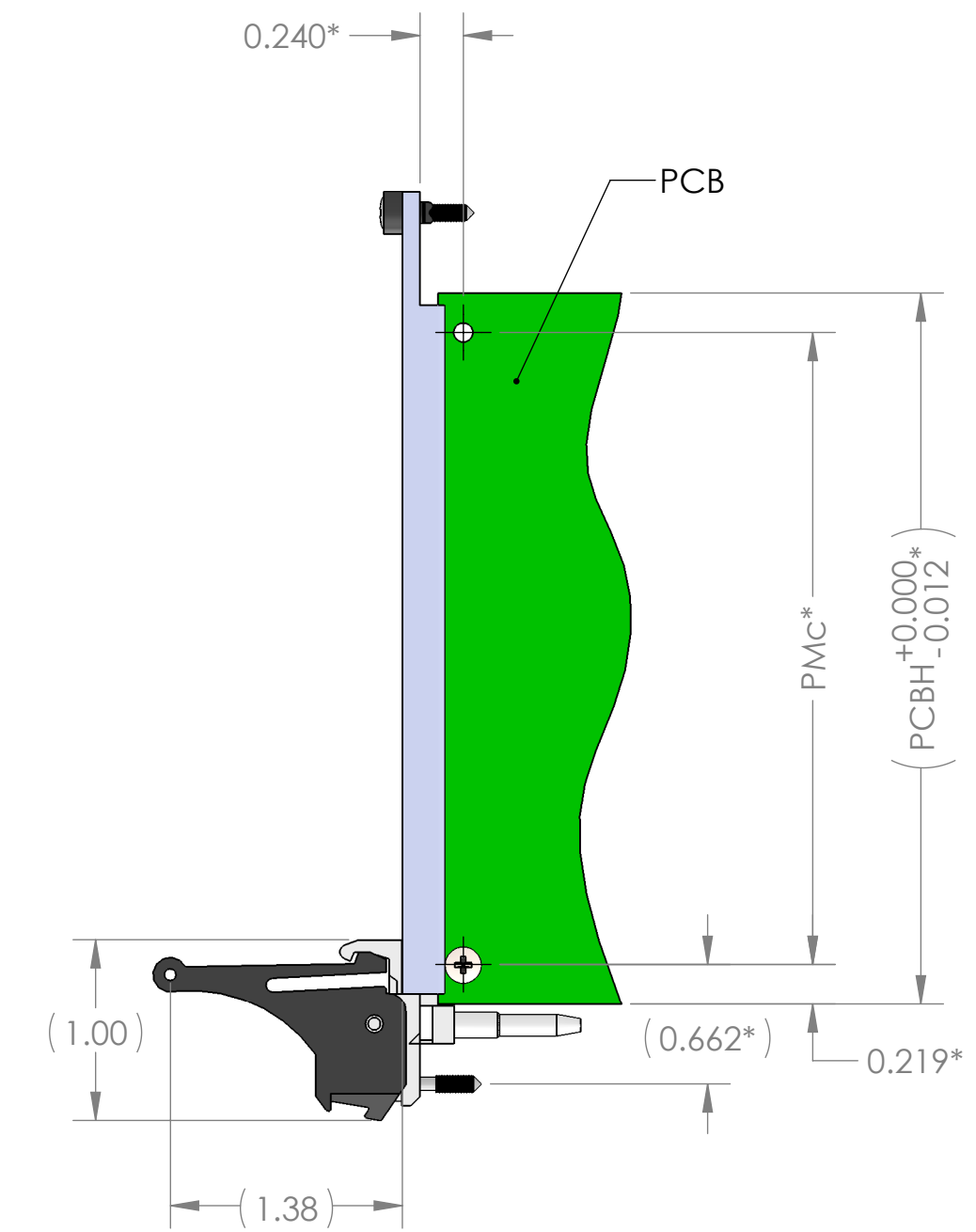
**3U X 5HP**



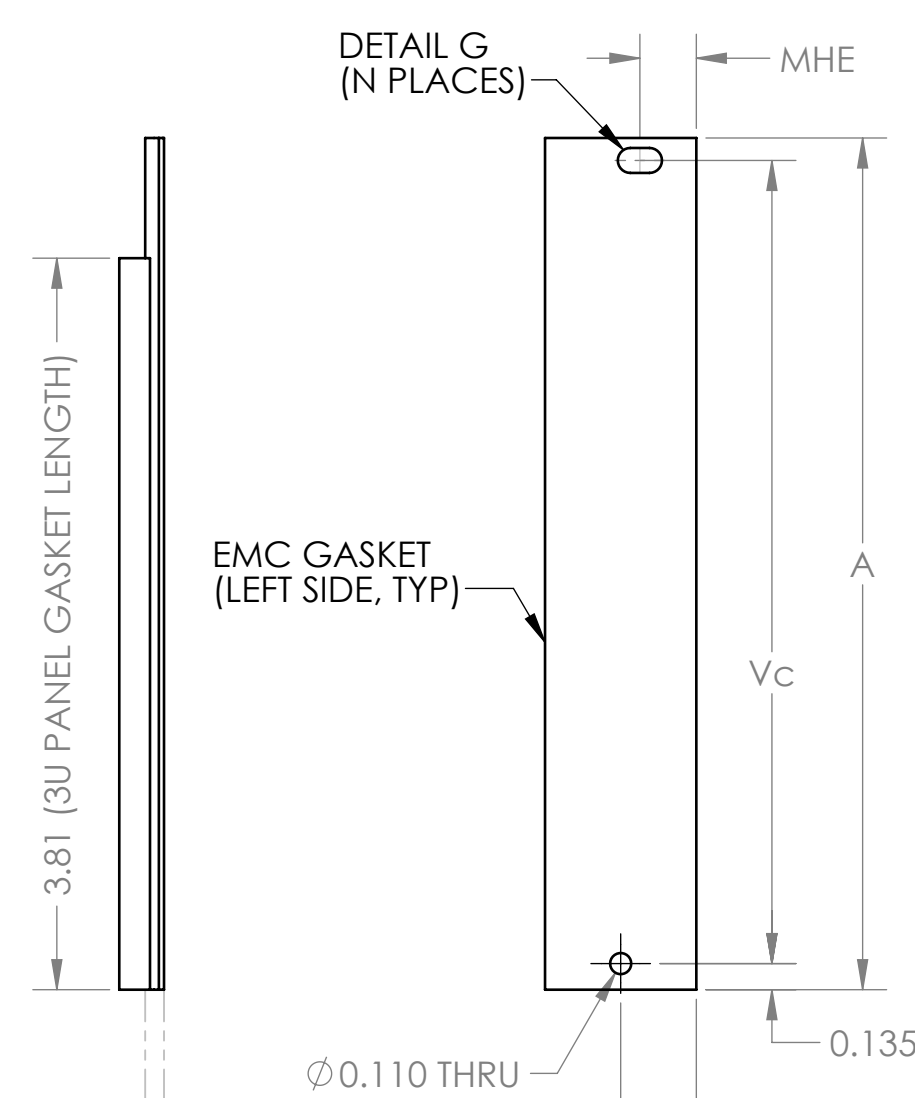
**3U X 8HP**



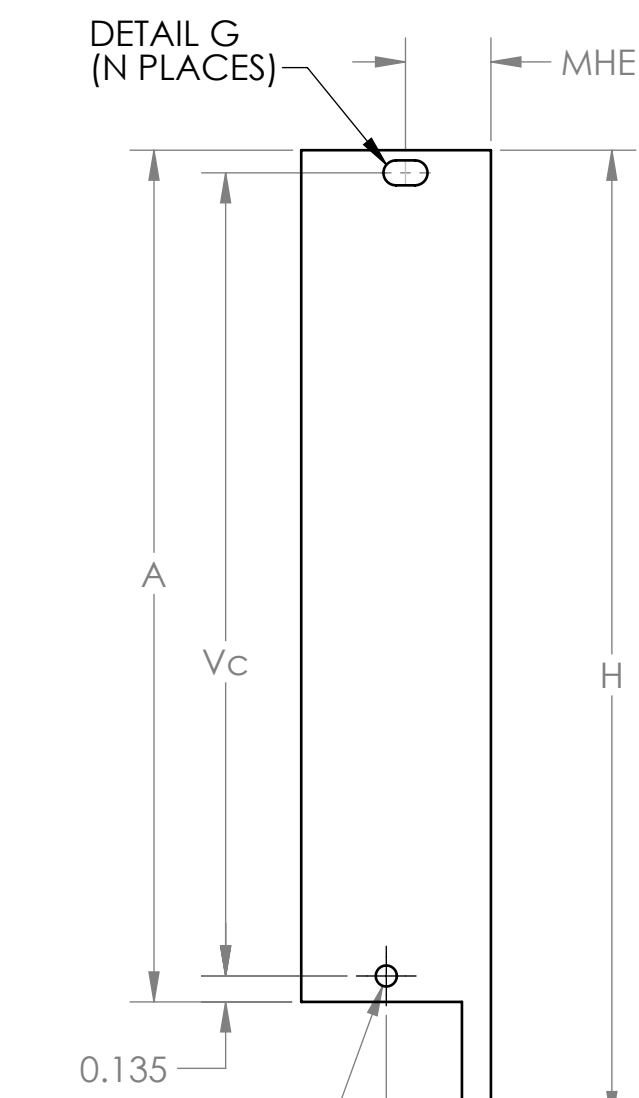
**3U X 12HP**



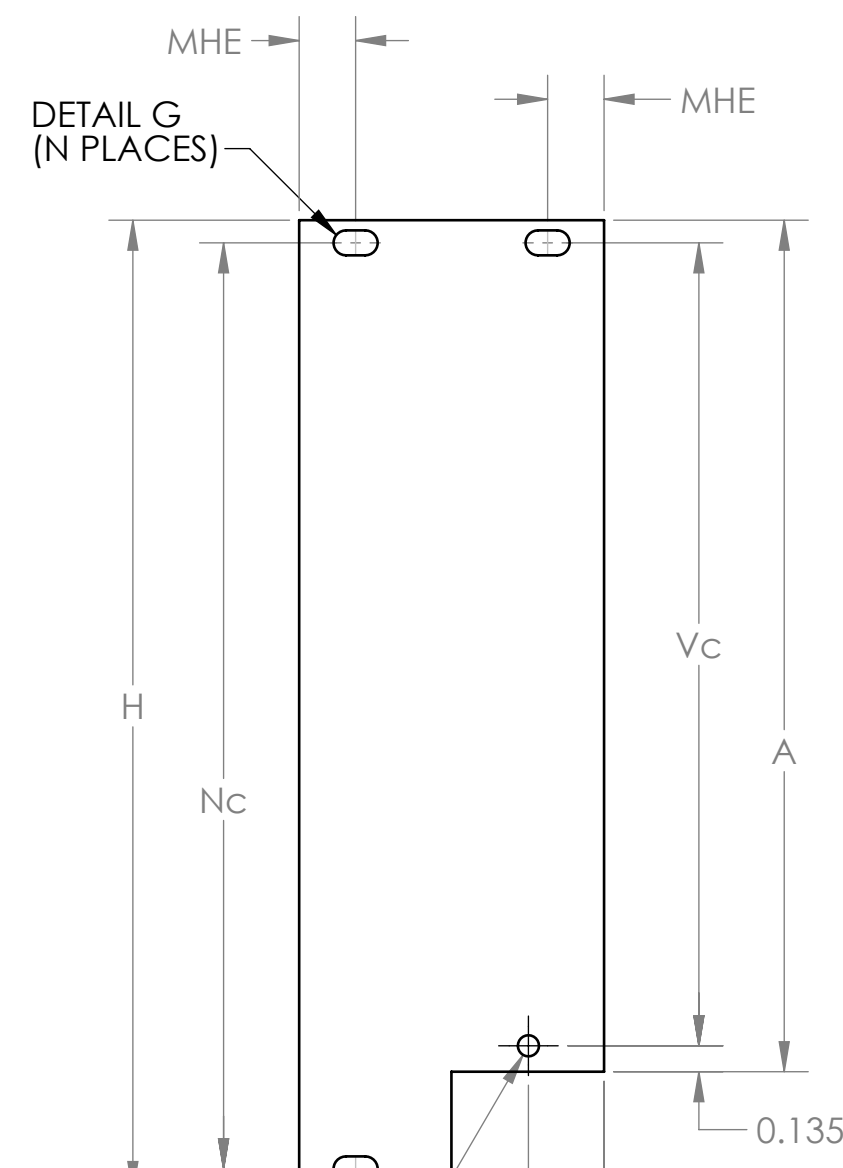
**SIDE VIEW 3U PANELS**



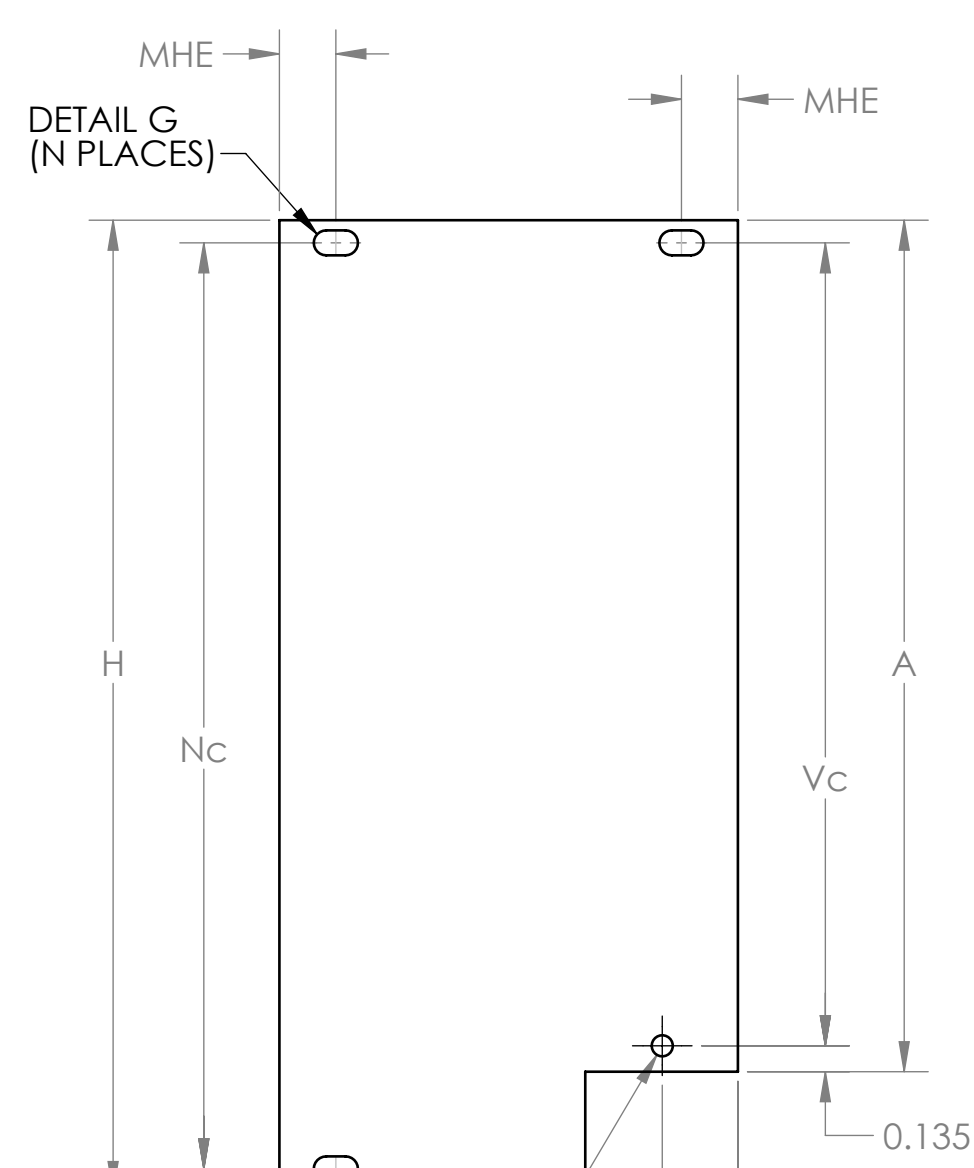
**3U X 4HP**



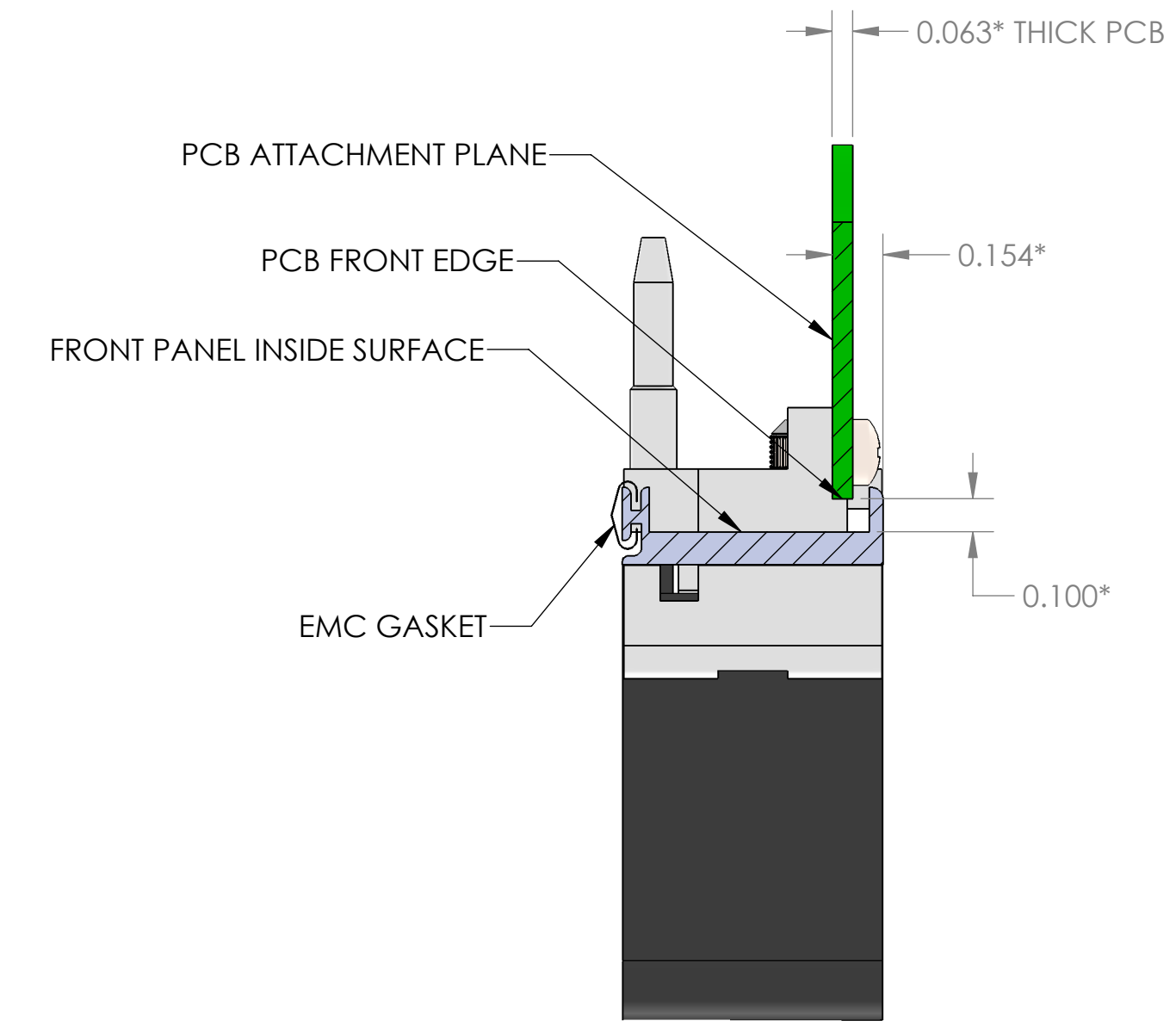
**3U X 5HP**



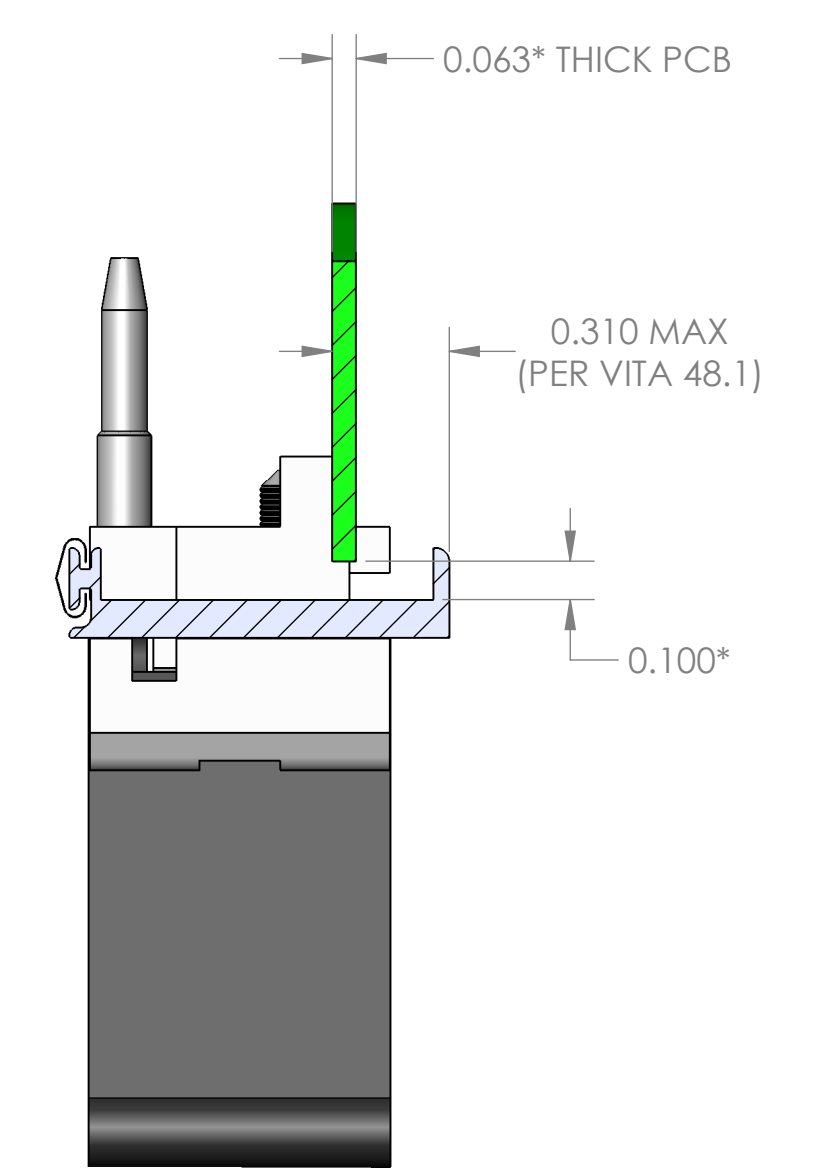
**3U X 8HP**



**3U X 12HP**



**SECTION H-H  
FOR 3U, 6U, AND 9U  
4HP, 8HP, 12HP WIDE PANELS.  
RTM PLUG-IN CARDS.  
SCALE 2 : 1**



**SECTION K-K  
FOR 3U, 6U, AND 9U  
5HP WIDE PANELS.  
RTM PLUG-IN CARDS.  
SCALE 2 : 1**

**3U RTM (REAR TRANSITION MODULE) PLUG-IN CARD**