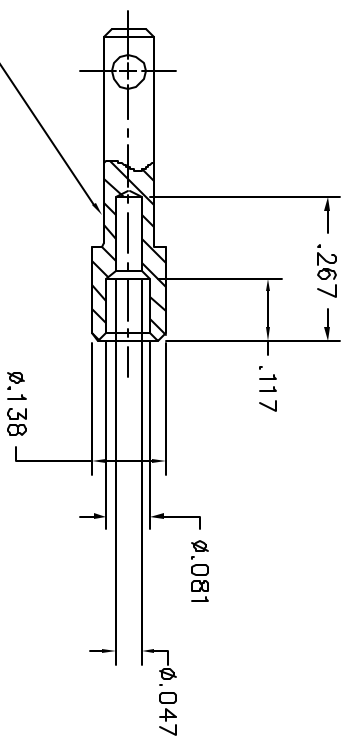
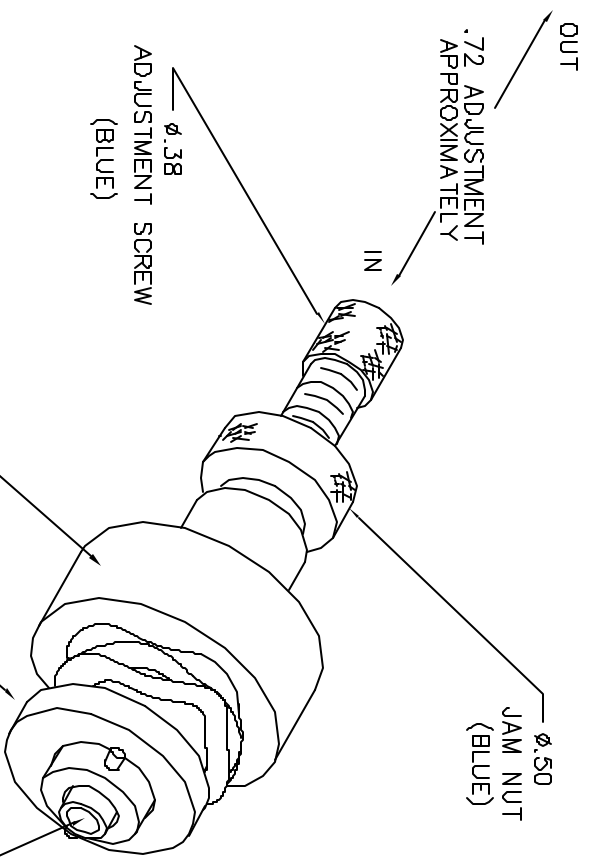


REVISIONS			
REV. SYM.	E.C.O. NUMBER	DESCRIPTION	BY DATE APP'D DATE
3		REDESIGNED	AMM 2-14-02 2-14-02



**UNCONTROLLED DOCUMENT
WILL NOT BE UPDATED**

RESTRICTED & CONFIDENTIAL

CONFIDENTIAL PROPERTY OF DANIELS MANUFACTURING CORP. NOT TO BE DISCLOSED TO OTHERS, REPRODUCED OR USED FOR ANY OTHER PURPOSE EXCEPT AS AUTHORIZED IN WRITING BY DANIELS MANUFACTURING CORP. THIS DRAWING IS THE PROPERTY OF DANIELS MANUFACTURING CORP. AND IS LOANED TO YOU FOR YOUR USE ONLY. IT IS NOT TO BE REPRODUCED OR TRANSMITTED IN ANY FORM OR BY ANY MEANS, ELECTRONIC OR MECHANICAL, INCLUDING PHOTOCOPYING, RECORDING, OR BY ANY INFORMATION STORAGE AND RETRIEVAL SYSTEM, WITHOUT THE WRITTEN PERMISSION OF DANIELS MANUFACTURING CORP. WHICH LENT.

DO NOT SCALE DRAWING

ITEM	PART NO.	QTY.	DESCRIPTION/REMARKS
DRN.	DATE		
CHKD.	DATE		
APP'D.	DATE		
APP'D.	DATE		

SIZE	SCALE	CAD P/N	SHEET	OF
B	NTS	SK2-2-ENV	1	1
POSTING		P/N	REV.	
		SK2/2-ENV	3	

DANIELS MANUFACTURING CORP.
DANIELS, FLORIDA
CAGE 11851

ENVELOPE DRAWING
UNIVERSAL POSITIONER

WHERE USED: ANB