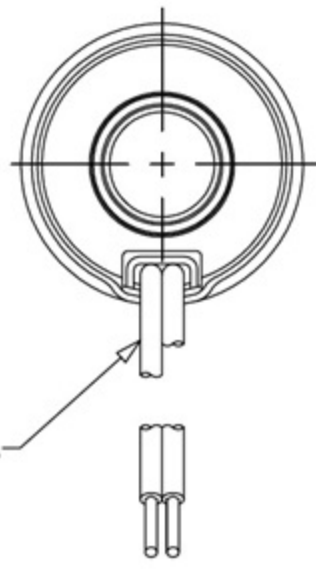


.5625-18 UNF THD' s



10.0 MIN LEADS,
#24 AWG
PVC INSULATION

UNLESS OTHERWISE SPECIFIED ALL DIMENSIONS IN: <input type="checkbox"/> METRIC (mm) <input checked="" type="checkbox"/> INCHES METRIC DECIMAL X.X ± 0.5 mm .XX ± .010 IN X.XX ± 0.13 mm .XXX ± .005 IN		TITLE SOLENOID - TUBULAR	
ANGLE: ± ES-612 & ES-613 APPLIES THIRD ANGLE PROJECTION		CODE IDENT 81840	DRWG. NO.: 195205-XXX
Saia Burgess LLC 801 Scholtz Dr. Vandalia, OH 45377		A	SCALE: NONE SHEET 1 OF 1