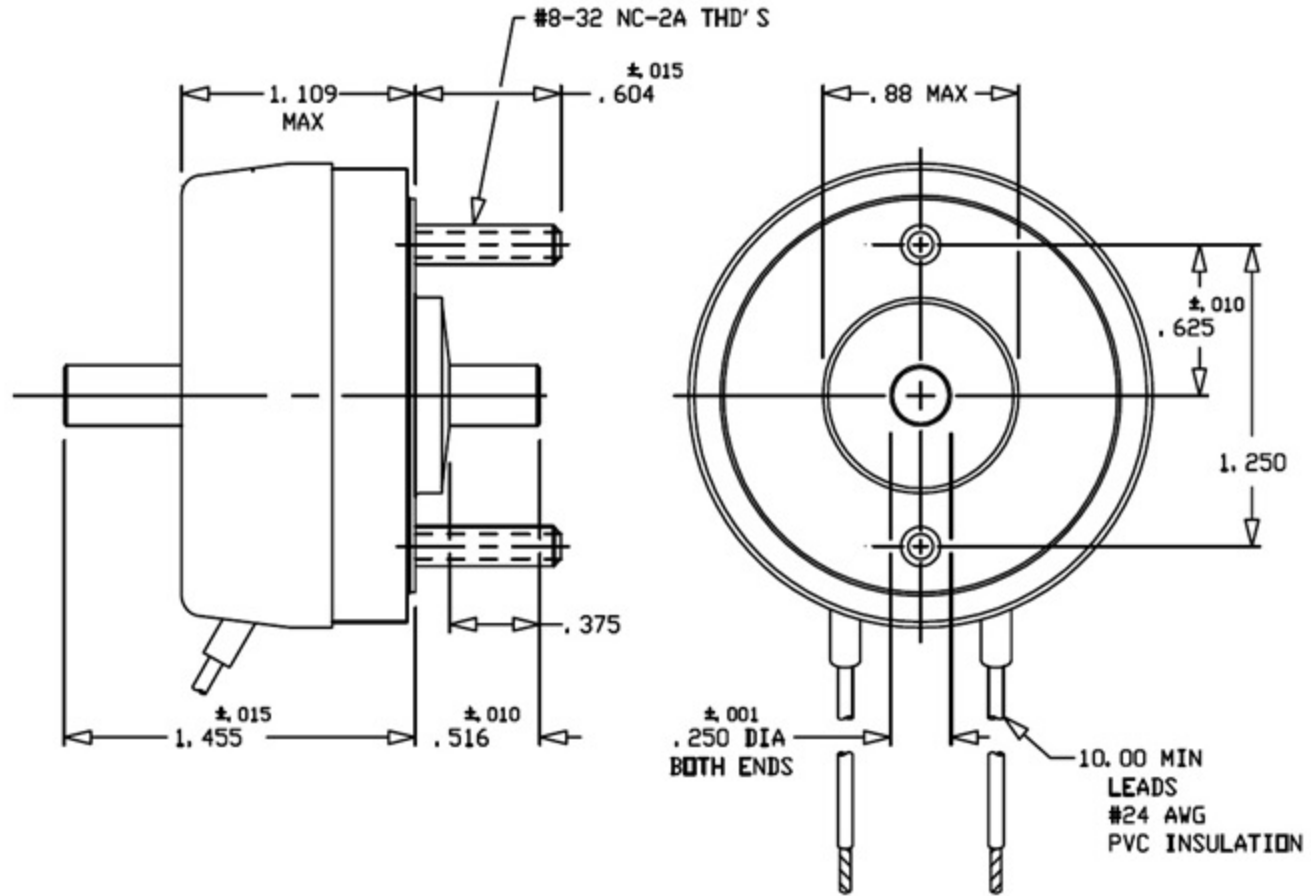
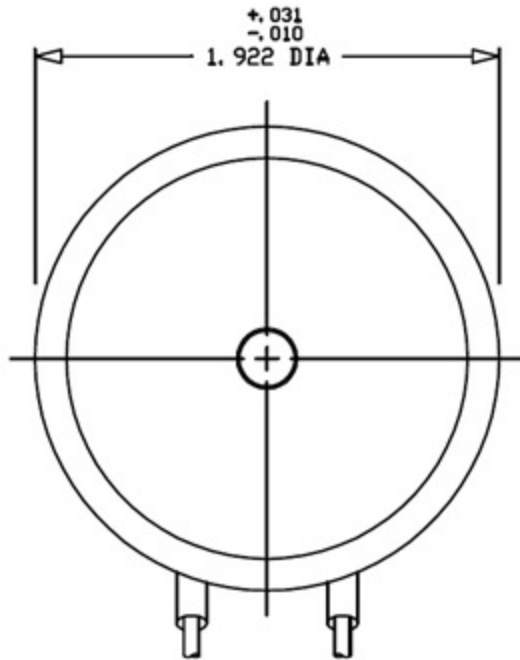
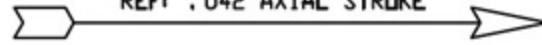


25° R. H. STROKE



REF: .042 AXIAL STROKE



UNLESS OTHERWISE SPECIFIED  
ALL DIMENSIONS IN:  INCHES  METRIC (mm)  
METRIC: X.X ± 0.5 mm, X.XX ± 0.13 mm  
INCHES: .XX ± .010 IN, .XXX ± .005 IN  
ANGLES: ±  
ES-612 & ES-613 APPLIES  
THIRD ANGLE PROJECTION

TITLE  
**SOLENOID - ROTARY**

CODE IDENT  
81840

DRWG. NO.:  
**H-15165-XXX**

**Saia Burgess LLC**  
801 Scholtz Dr.  
Vandalia, OH 45377

A

SCALE: NONE SHEET 1 OF 1