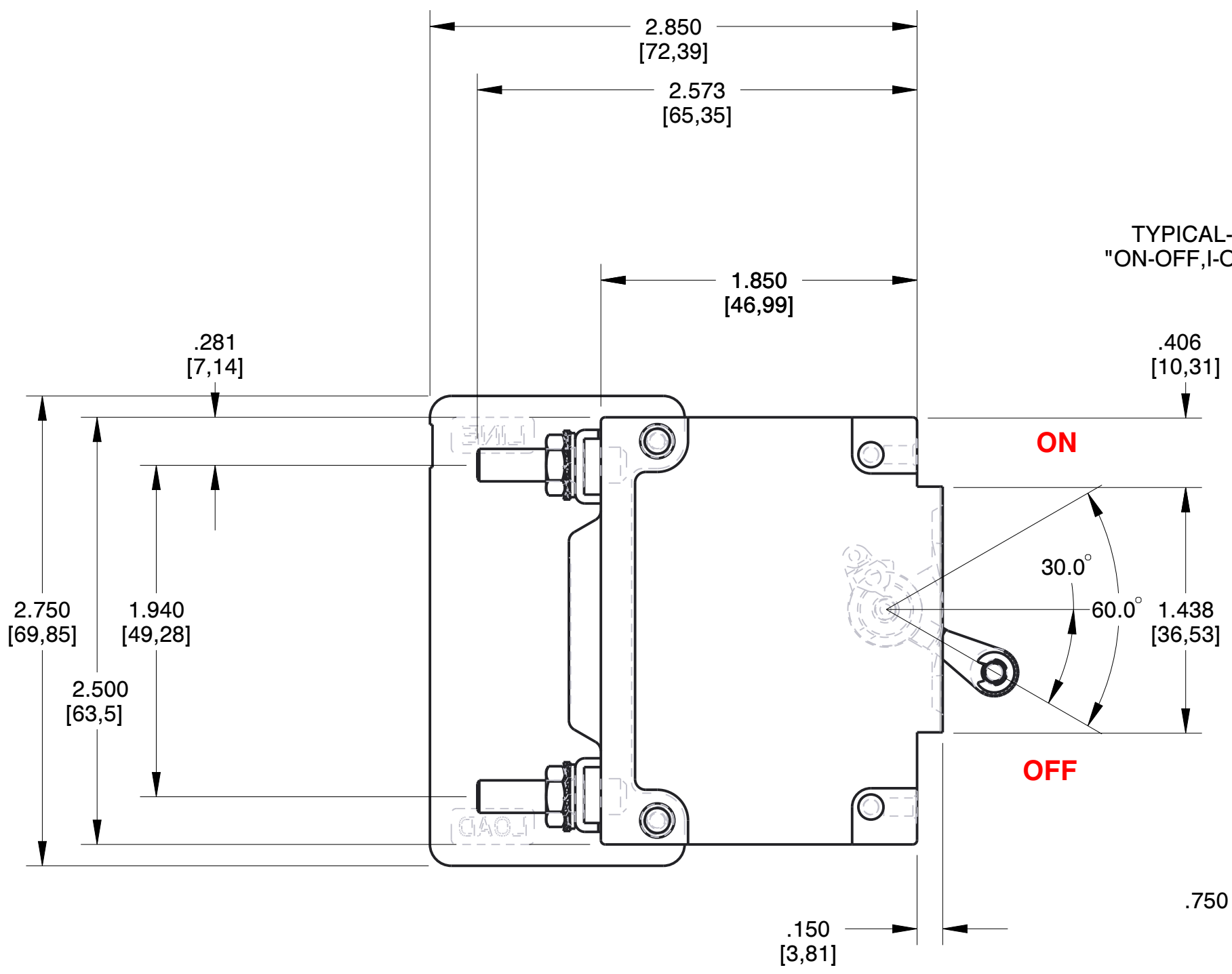
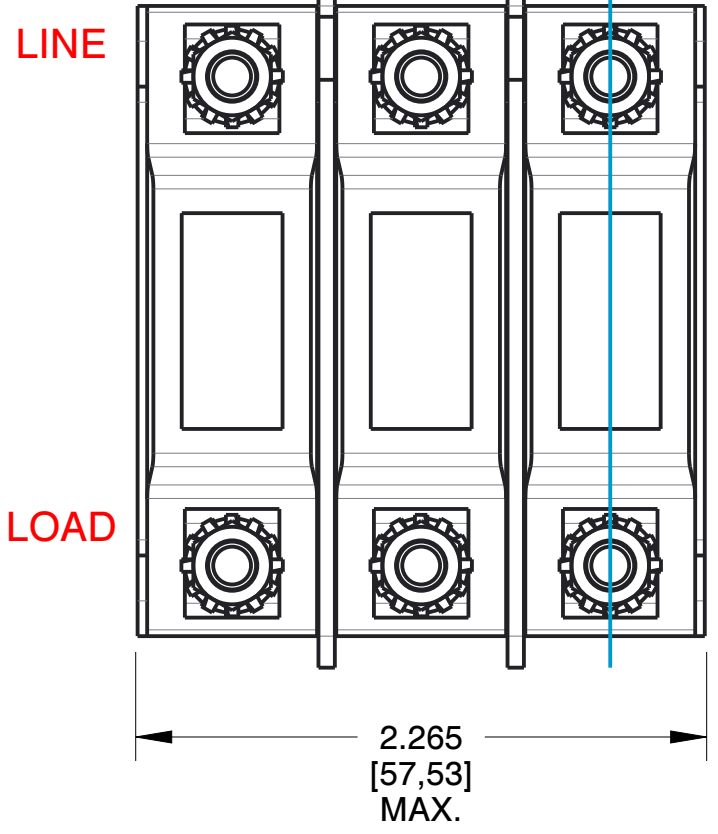
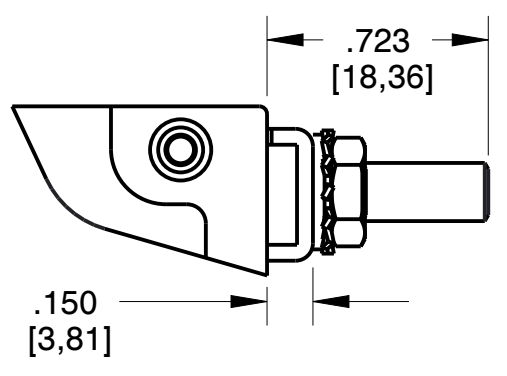
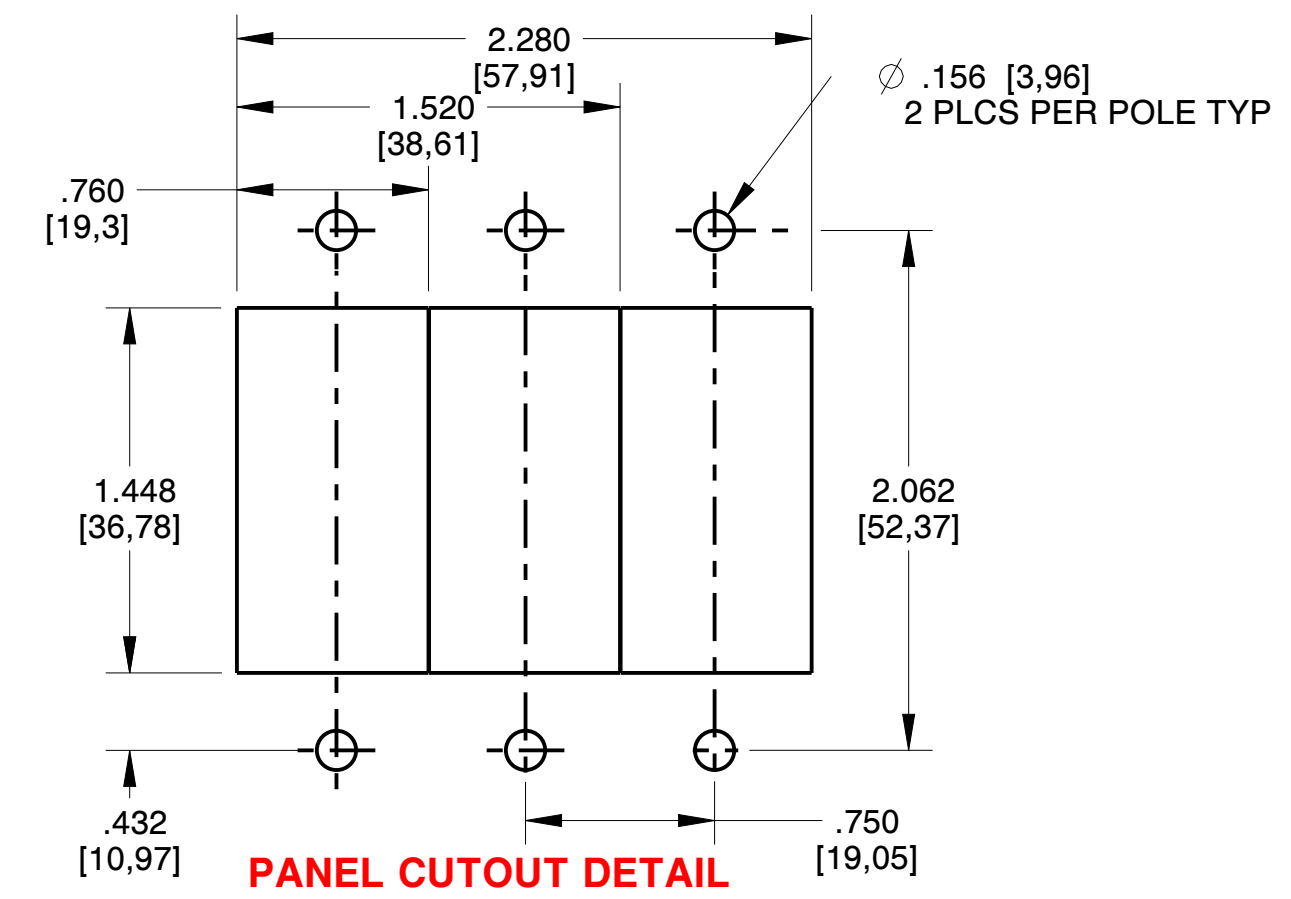
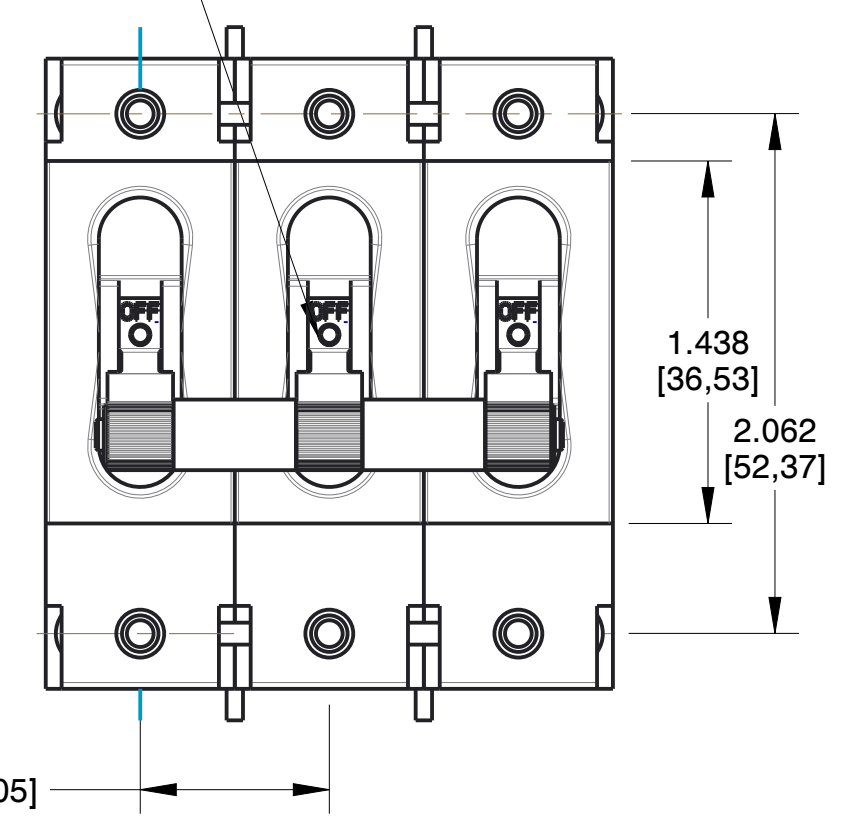


DRAWING FILE NO. CA3-B0-21-650-12A-C		REV 08-16-17
REVISIONS		
DATE	DESCRIPTION	
08-16-17	DRAWING CREATED	

TERMINAL DIAGRAM



TYPICAL-OPTIONAL
"ON-OFF,I-O" LEGEND



CIRCUIT SCHEMATIC		TIGHTENING TORQUE SPECIFICATION	
ANSI	IEC	THREAD SIZE	TORQUE
SERIES TRIP		#6-32[M3] MOUNTING INSERT	7-9-IN-LBS [0.8-1.0 NM]
LINE	LINE(NETS)	#10-32 & M5 THD STUDS	15-20 IN-LBS [1.7-2.3 NM]
LOAD	LOAD(LAST)	#10-32 THD SCREW	15-20 IN-LBS [1.7-2.3 NM]
		#1/4-20 & M6 THD STUDS	30-35 IN-LBS [3.4-4.0]

TERMINAL HARDWARE				
TERMINAL DESCRIPTION	CODE	AGENCY APPROVAL	AMPERE RATING	HARDWARE SUPPLIED
#10-32 STUD	1	ALL	.02-50	LOCK WASHER - FLAT WASHER - NUT
M5 STUD	4	ALL	.02-50	LOCK WASHER - FLAT WASHER - NUT
#1/4-20 STUD	3	ALL	.02-80	LOCK WASHER - FLAT WASHER - NUT
			81-100	LOCK WASHER - NUT - (2) FLAT WASHER - NUT
M6 STUD	6	ALL	.02-80	LOCK WASHER - FLAT WASHER - NUT
			81-100	LOCK WASHER - NUT - (2) FLAT WASHER - NUT
#10-32 SCREW	2 & 5	UL RECOGNIZED	.02-50	SADDLE CLAMP- FLAT WASHER - SCREW
		UL-489 LISTED	.02-50	LOCK WASHER - FLAT WASHER - SCREW
		TUV & VDE CERTIFIED	.02-16	SADDLE CLAMP- FLAT WASHER - SCREW
		TUV & VDE CERTIFIED	16.1-50	LOCK WASHER - FLAT WASHER - SCREW

- NOTES:**
- SCHEMATIC SHOWN REPRESENTS CURRENT TRIP CIRCUITS.
 - MULTI-POLE UNITS ARE ASSEMBLED AT FACTORY WITH COMMON HANDLE TIE.
 - PANEL THICKNESS SHOULD BE 0.04 TO 0.10 INCHES

PROPRIETARY NOTICE
NOTICE TO ALL PERSONS RECEIVING THIS DRAWING, THIS DOCUMENT IS THE PROPERTY OF CARLING TECHNOLOGIES, INC. AND IS NOT TO BE DISCLOSED, REPRODUCED IN WHOLE OR IN PART OR USED FOR MANUFACTURING PURPOSES BY ANYONE WITHOUT THE CONSENT OF CARLING TECHNOLOGIES, INC.

DISCLAIMER
MANUFACTURER RESERVES THE RIGHT TO CHANGE PRODUCT SPECIFICATIONS WITHOUT PRIOR NOTICE.

Carling Technologies
Innovative Designs. Powerful Solutions.

60 JOHNSON AVE
PLAINVILLE, CT 06062, USA
PHONE: (860) 793-9281
SALES: SALES@CARLINGTECH.COM
APPLICATION SUPPORT: TEAM2@CARLINGTECH.COM

**C-SERIES
CIRCUIT BREAKER**

DO NOT SCALE DRAWING
UNLESS OTHERWISE SPECIFIED
DIMENSIONS: IN [MM]
TOLERANCES: ± .020 [0.51]

DRAWING FILE NO. **CA3-B0-21-650-12A-C** SIZE **C**
PRODUCT SERIES: C-SERIES C.B. SHEET 1 OF 1