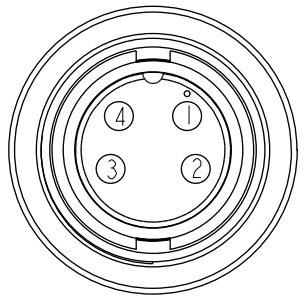
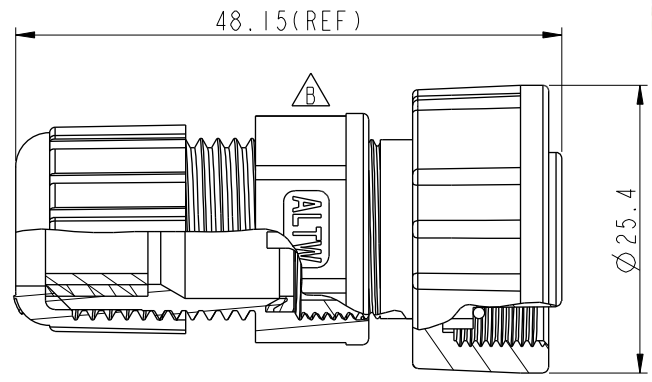
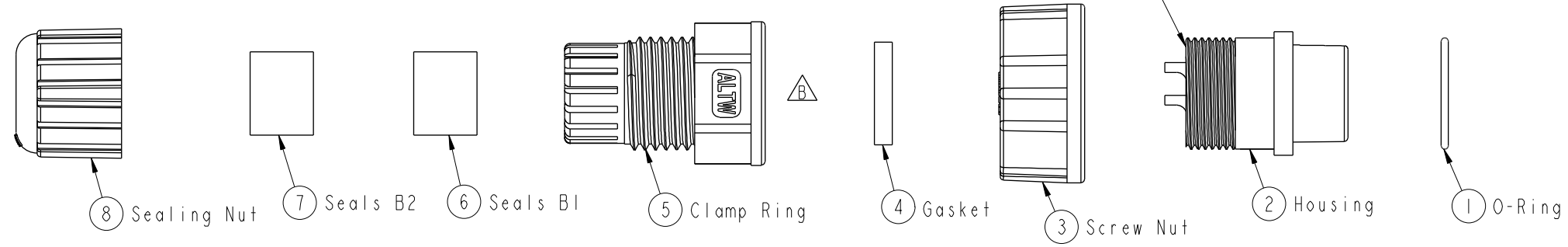


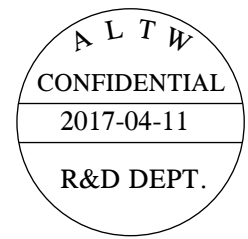
THIS DOCUMENT IS SUBJECT TO CHANGE WITHOUT NOTICE. IT IS CONFIDENTIAL AND A PROPERTY OF Amphenol LTW. DISCLOSURE TO THIRD PARTY HAS TO BE AUTHORIZED BY Amphenol LTW.

REV.	ECN NO.	DATE	SIGN	DESCRIPTION
B	LEN1741178	2017/04/11	Ruru	Change Logo

With Liquid Glue
點防水膠



Pin Assignments
Front View 前視圖



Note:

- * CC Important Dimension.
- * Waterproof Rate : IP67
- * Seals B1 for Cable OD: $\text{Ø}7.6\text{mm} \sim \text{Ø}9.6\text{mm}$
(防水墊圈B1線徑: $\text{Ø}7.6\text{mm} \sim \text{Ø}9.6\text{mm}$)
- * Seals B2 for Cable OD: $\text{Ø}4.0\text{mm} \sim \text{Ø}7.6\text{mm}$
(防水墊圈B2線徑: $\text{Ø}4.0\text{mm} \sim \text{Ø}7.6\text{mm}$)
- * One Set Unassembled in One PE Bag
(每一組未組裝, 放置於一個PE袋, 並封口)
- * Ring: Black, EPDM
- * Housing: Black, Nylon+GF
- * Pin: Copper Alloy, Gold Plated
- * Screw Nut: Black, Nylon+GF
- * Gasket : Black, EPDM
- * Seals : Black, EPDM
- * Clamp Ring: Black, Nylon
- * Sealing Nut: Black, Nylon
- * Liquid Glue: Clear

UNIT: mm TOLERANCE .X ±0.25 .XX ±0.1 .XXX ±0.05 ANGLES ±1°	TITLE Middle Assy Screw 4Pin F Conn F Pin			Amphenol LTW 安費諾亮泰企業股份有限公司		ITEM NO	CB-04BFFA-SL7001	DRAWN BY	Ruru	DATE	2017-04-11	
	SCALE	2:1	SIZE			A4	SHEET	1	OF	1	CHECKED BY	Rita
	REV.	B	WC-REV.	A.3	CC : Inspection item		CUSTOMER	ALTW	APPROVED BY	Max	DATE	2017-04-11
	2017-04-11											