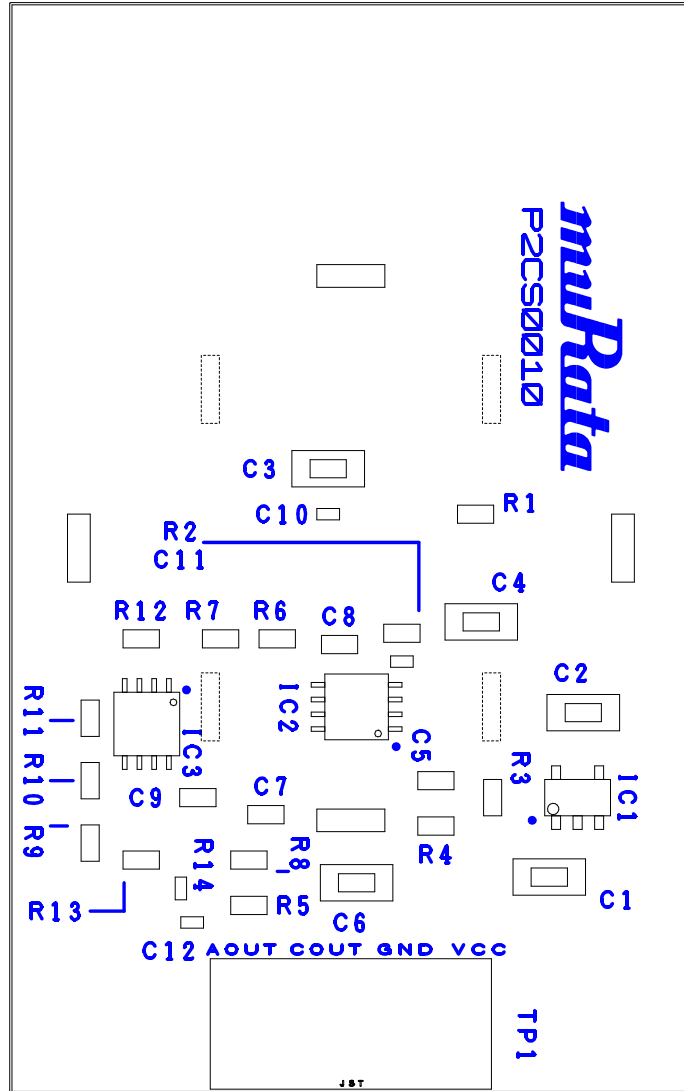
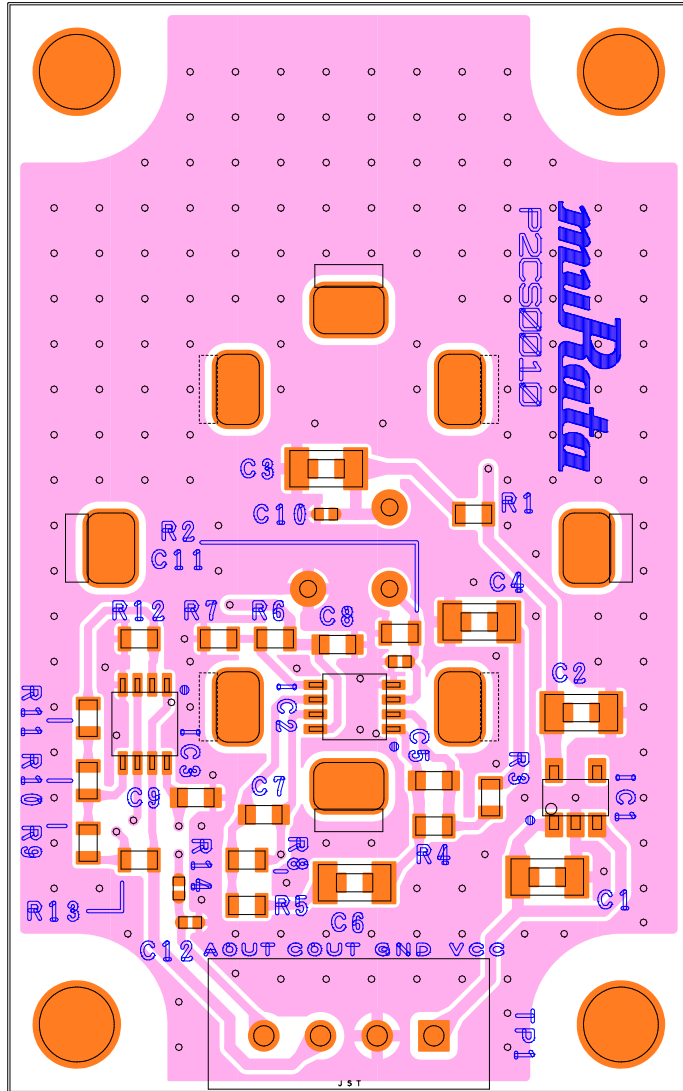
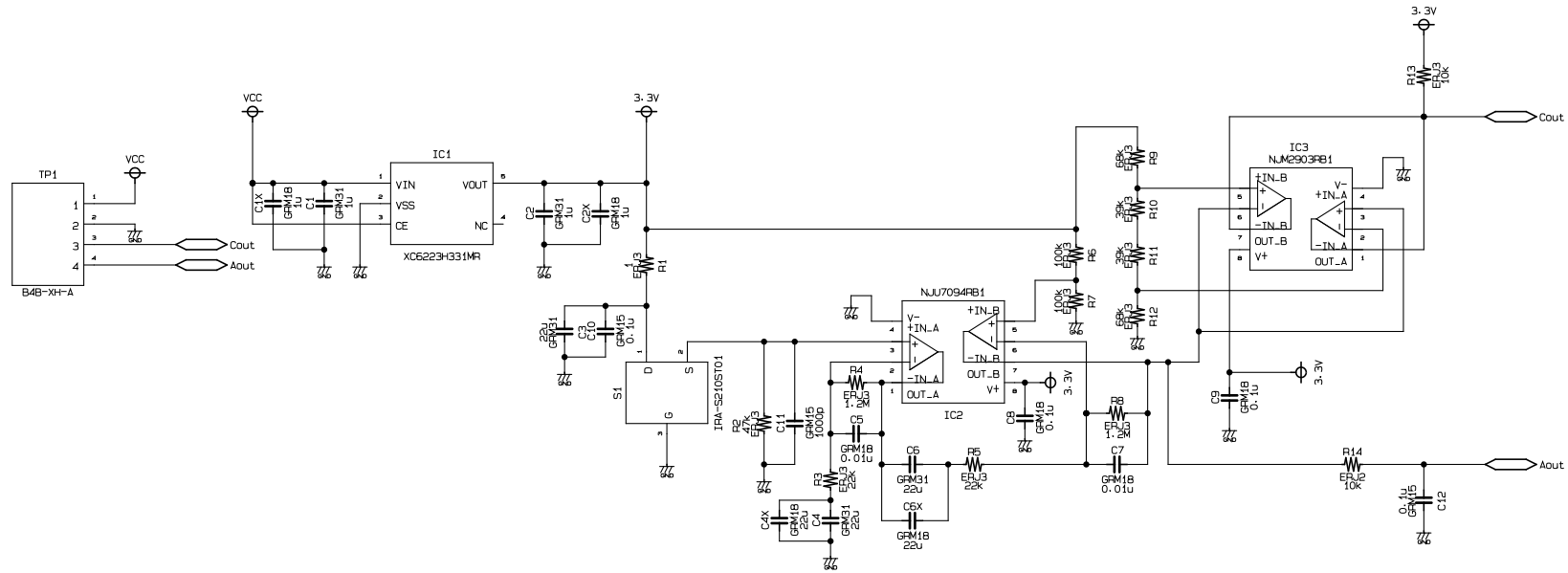


muRata
P2CS00110







REV.	ITEM	DESIGN	DATE

UNIT mm	GENERAL DIMENSION TOLERANCE
MATERIAL	NUM ± ANG ±
muRata MURATA MFG. CO., LTD	

TITLE ()				PLOT DATE : 15/10/23 16:15:51	
SCHEMATICS				PLOT USER : MM06793	
DESIGN	DRAWN	CHECK	APPROVED	REMARK	

PLOT DATE : 15/10/23 16:15:51	
PLOT USER : MM06793	
REMARK	