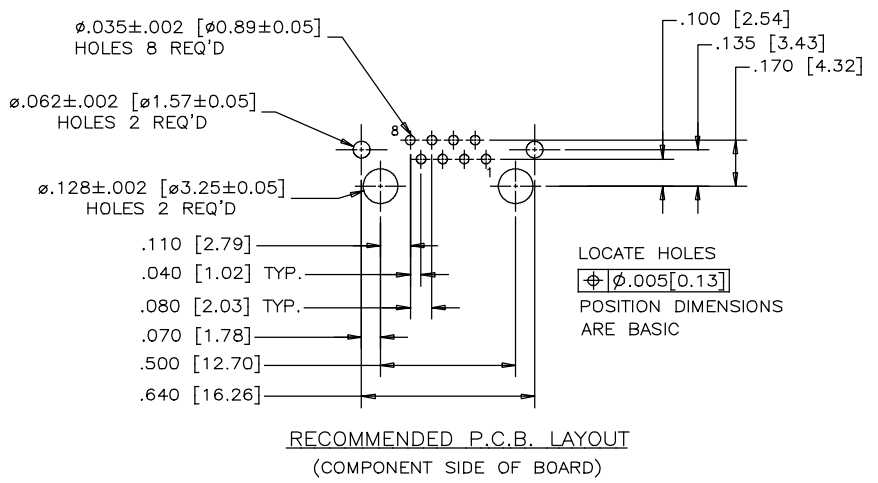
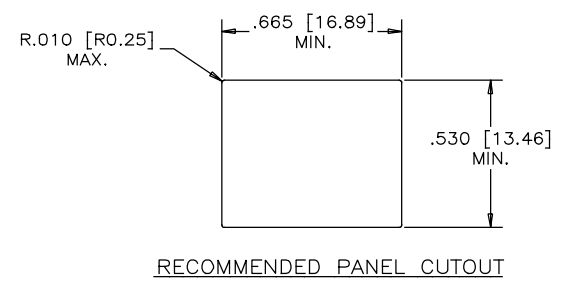
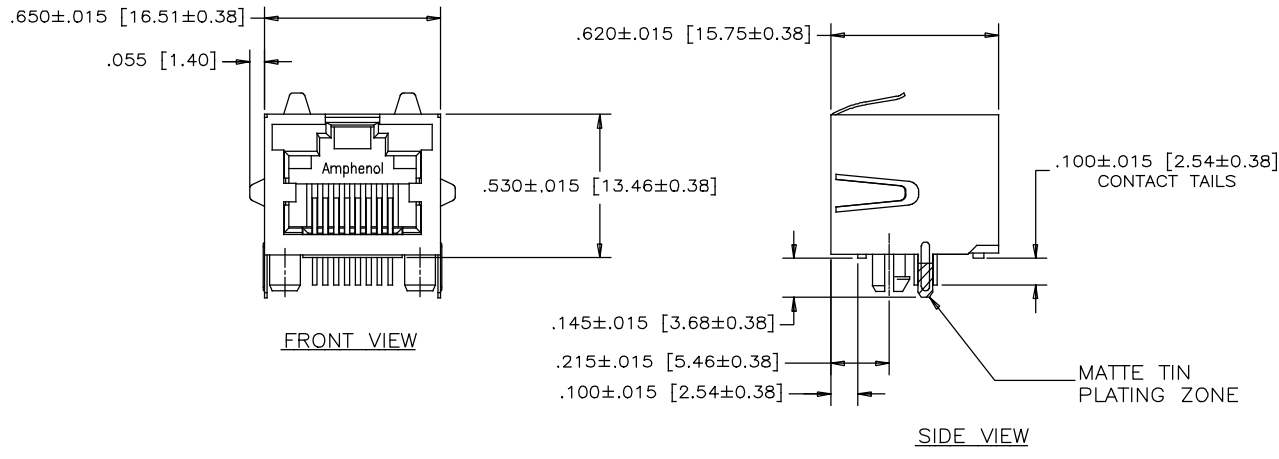


REVISIONS			
REV	DESCRIPTION, ECN, EAR NO.	DATE	APP'D
A	PROPOSAL	OCT23/13	L.CHAN
B	UPDATED DIMENSIONS OF PANEL	OCT07/14	L.CHAN
C	CHANGE SHIELD PCB TAIL PLATING	FEB24/17	L.CHAN



1. **MATERIALS:**
 PLASTIC HOUSING: HIGH TEMPERATURE THERMOPLASTIC
 FLAMMABILITY RATING UL 94V-0
- CONTACTS: PHOSPHOR BRONZE
 PLATING: 50 μ" [1.27 MICRONS]
 MIN. GOLD ON MATING SURFACES.
 50 μ" [1.27 MICRONS]
 MIN. NICKEL UNDERPLATE
 100 μ" [2.54 MICRONS]
 MIN. MATTE TIN ON CONTACT TAILS.
- SHIELD: STAINLESS STEEL WITH MATTE TIN PLATING ON SOLDER TAIL
- PART NUMBER: RJHSE-5480

THIS DOCUMENT CONTAINS PROPRIETARY INFORMATION AND SUCH INFORMATION MAY NOT BE DISCLOSED TO OTHERS FOR ANY PURPOSE OR USED FOR MANUFACTURING PURPOSES WITHOUT WRITTEN PERMISSION FROM AMPHENOL CANADA CORP.

UNLESS SPECIFIED OTHERWISE	DRAWN FRANK W	DATE OCT23/13	Amphenol Canada Corp. www.amphenolcanada.com
PRIMARY UNITS INCH	CHECKED LAWRENCE C	OCT23/13	
SECONDARY MILLIMETER	M.E. APP'D		TITLE
REFERENCE IN PARENTHESES	Q.A. APP'D		HIGH SPEED, RJ45, MODULAR JACK, 8 POSITION, 8 CONTACTS, SHIELDED, WITHOUT LEDs - RoHS COMPLIANT
GENERAL TOLERANCES	DWG APPR.		DWG. NO.
1 DECIMAL PLACE ±0.025	ENG. REL. NO.		P-RJHSE-5480
2 DECIMAL PLACES ±0.020	REF.		REV C
3 DECIMAL PLACES ±0.015	THIRD ANGLE PROJECTION	DO NOT SCALE DRAWING	CODE ID NO. 03554 DWG SIZE: C SCALE: N/A SHEET 1 OF 1
ANGULAR DEGREES ±1.0°			