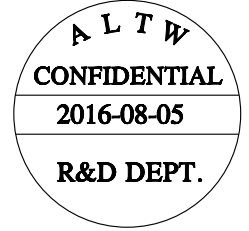
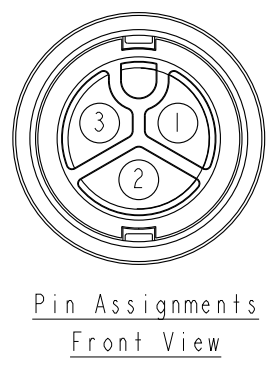
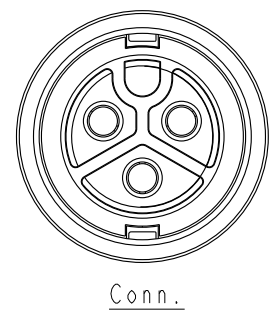
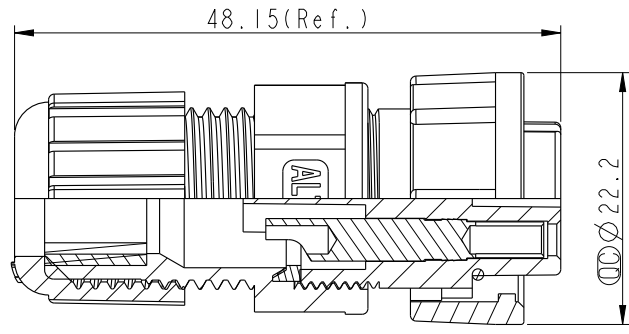
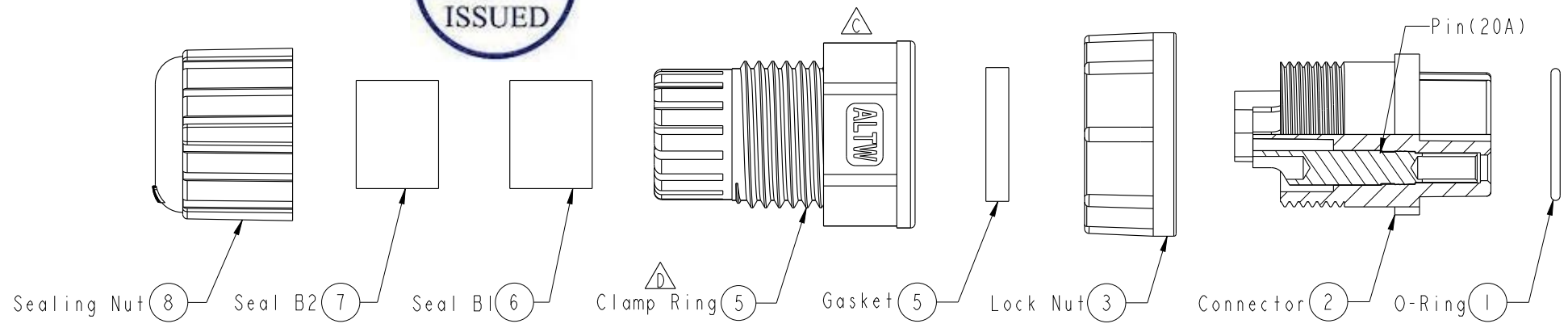


THIS DOCUMENT IS SUBJECT TO CHANGE WITHOUT NOTICE. IT IS CONFIDENTIAL AND A PROPERTY OF AMPHENOL LTW. DISCLOSURE TO THIRD PARTY HAS TO BE AUTHORIZED BY AMPHENOL LTW.

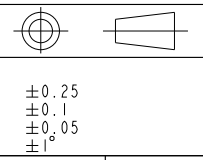
REV.	ECN NO.	DATE	SIGN	DESCRIPTION
B	LEN-020038	2010/01/20	Vicky	Remove Note.
C	LEN1480171	2014/08/01	Aric	Change Old Logo To New Logo.
D	LE31680524	2016/08/05	Joy	Modify The Material Of The Clamp Ring



- Notes:**
- \* **CC** Important Dimensions To Check.
  - \* Waterproof Rate: IP67.
  - \* Housing: Nylon+GF, Black.
  - \* Female Pin: Copper Alloy, Gold Plated.
  - \* O-Ring: Silicon, Gray.
  - \* Lock Nut: Nylon+GF, Black.
  - \* Gasket: Silicon, Gray.
  - \* **AD** Clamp Ring: Nylon66, Black.
  - \* Sealing Nut: Nylon+GF, Black.
  - \* Seal B1 For Cable OD:  $\varnothing$ 7.6mm~9.6mm.
  - \* Seal B2 For Cable OD:  $\varnothing$ 4.0mm~7.6mm.

UNIT:mm

TOLERANCE	
.X	$\pm 0.25$
.XX	$\pm 0.1$
.XXX	$\pm 0.05$
ANGLES	$\pm 1^\circ$



TITLE	Power, Assy Lock 3Pin F Conn. F Pin 20A		
SCALE	3:2	SIZE	A4
REV.	D	WC-REV.	A.5
		<b>CC</b>	Inspection item

**Amphenol LTW**  
安費諾亮泰企業股份有限公司

ITEM NO	PWC-03BFFA-LL7001
DWG NO	PWC-03BFFA-LL7001
CUSTOMER	ALTW

DRAWN BY	Joy
CHECKED BY	Ma Fei
APPROVED BY	Jerry

DATE	2016-08-05
DATE	2016-08-05
DATE	2016-08-05