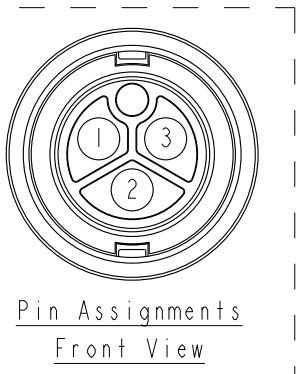
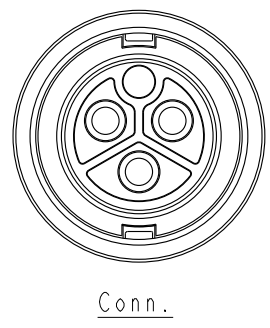
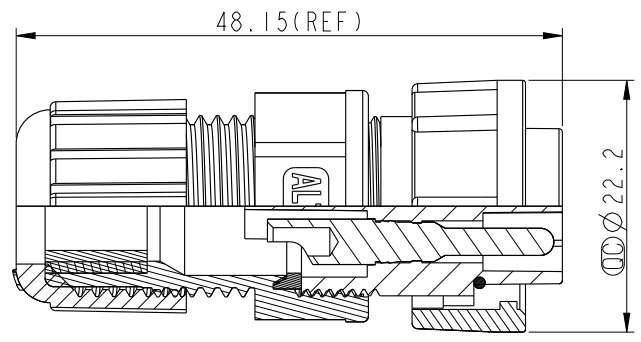
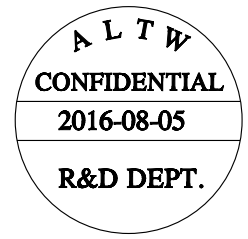
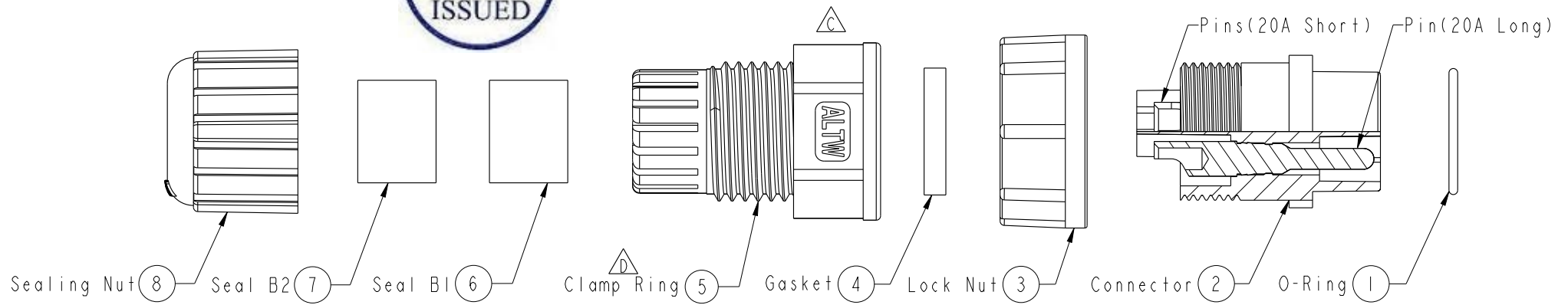


THIS DOCUMENT IS SUBJECT TO CHANGE WITHOUT NOTICE. IT IS CONFIDENTIAL AND A PROPERTY OF AMPHENOL LTW. DISCLOSURE TO THIRD PARTY HAS TO BE AUTHORIZED BY AMPHENOL LTW.

REV.	ECN NO.	DATE	SIGN	DESCRIPTION
B	LEN-020039	2010/01/20	Vicky	Remove Note.
C	LEN1580259	2015/05/28	Jinhai	Change Logo
D	LE31680525	2016/08/05	Joy	Modify The Material Of The Clamp Ring



- Notes:**
- \*  $\varnothing$  Important Dimensions To Check.
  - \* Waterproof Rate: IP67.
  - \* Housing: Nylon+GF, Black.
  - \* Male Pin: Copper Alloy, Gold Plated.
  - \* O-Ring: Silicon, Gray.
  - \* Lock Nut: Nylon+GF, Black.
  - \* Gasket: Silicon, Gray.
  - \* Clamp Ring: Nylon66, Black.
  - \* Sealing Nut: Nylon+GF, Black.
  - \* Seal B1 For Cable OD:  $\varnothing$ 7.6mm~9.6mm.
  - \* Seal B2 For Cable OD:  $\varnothing$ 4.0mm~7.6mm.
  - \* One Set Unassembled In One PE Bag.

UNIT:mm		
TOLERANCE		
±0.5		

TITLE Power, Assy Lock 3Pin F Conn. M Pin 20A			
SCALE 3:2	SIZE A4	SHEET 1 OF 1	
REV. D	WC-REV. A.3	$\varnothing$ : Inspection item	

**Amphenol LTW**  
安費諾亮泰企業股份有限公司

ITEM NO. PWC-03BFMA-LL7001	DRAWN BY Joy	DATE 2016-08-05
DWG NO. PWC-03BFMA-LL7001	CHECKED BY Ma Fei	DATE 2016-08-05
CUSTOMER ALTW	APPROVED BY Jerry	DATE 2016-08-05