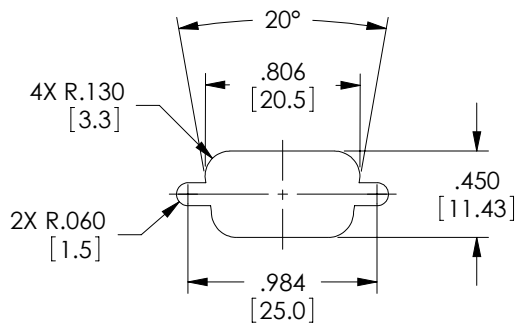
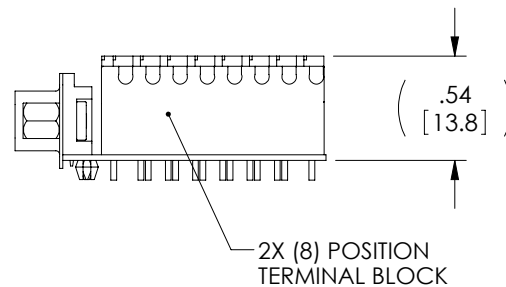
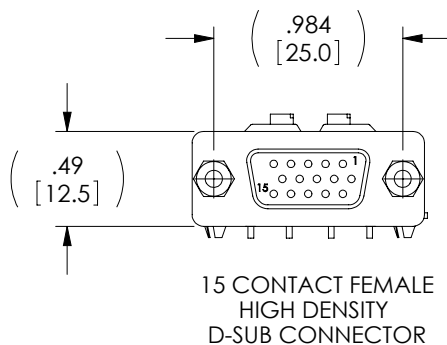
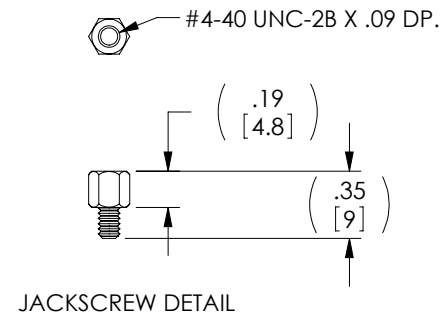
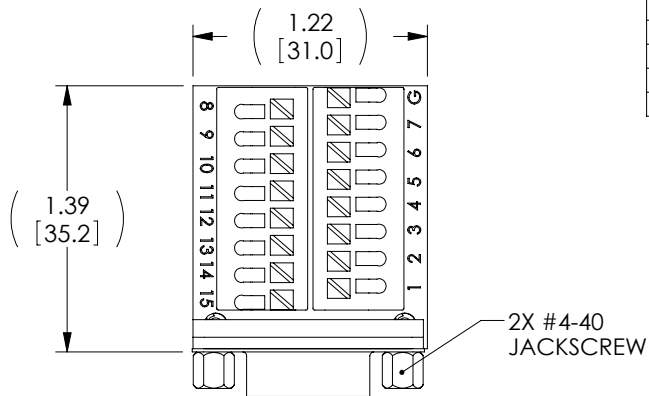


THE INFORMATION CONTAINED IN THIS DRAWING IS THE SOLE PROPERTY OF L-COM, INC. ANY REPRODUCTION IN PART OR WHOLE WITHOUT THE WRITTEN PERMISSION OF L-COM, INC. IS PROHIBITED.

REVISIONS			
REV	DESCRIPTION	DATE	APPROVED
A	INITIAL RELEASE	4/26/11	D.GRIFFIN

WIRE MAP	
HD15	TERMINAL BLOCK
1	1
2	2
3	3
4	4
5	5
6	6
7	7
8	8
9	9
10	10
11	11
12	12
13	13
14	14
15	15
SHELL	GND



RECOMMENDED PANEL OPENING  
(MAX PANEL THICKNESS: 0.06")

**RoHS Compliant** ✓

**NOTES:**

- VOLTAGE RATING: 1000V AC & 500V DC
- COMPONENT SHALL BE TESTED FOR CONTINUITY.
- COMPONENT SHALL BE INDIVIDUALLY PACKAGED IN ACCORDANCE WITH L-COM SPEC. PS-0031.

UNLESS OTHERWISE SPECIFIED, DIMENSIONS ARE IN INCHES [mm] OVERALL CABLE LENGTH TOLERANCE: <math>\leq 12 [305]</math> = +1 [25] / -0 <math>> 12 [305] \leq 60 [1524]</math> = +2 [51] / -0 <math>> 60 [1524] \leq 120 [3048]</math> = +4 [102] / -0 <math>> 120 [3048] \leq 300 [7620]</math> = +6 [152] / -0 <math>> 300 [7620]</math> = +3% / -0%	APPROVALS	DATE	<b>L-com</b> Global Connectivity 45 BEECHWOOD DRIVE NORTH ANDOVER, MA 01845
	DRAWN BY D. CASTRO	4/22/11	
ALL OTHER DIMENSIONAL TOLERANCES: .X = ±.2 .XX = ±.02 .XXX = ±.005	CHECKED BY D. PARHAM	4/22/11	CATEGORY DATA
	APPROVED BY S. SMITH	4/25/11	PRODUCT DESCRIPTION CONN, HB 15F FLD TERM SCREWLESS
PROJECTION 	CONFIGURATION DETAILS OF UNDIMENSIONED FEATURES MAY VARY	COLOR VARIATIONS MAY OCCUR	SIZE <b>A</b>
			FSCM NO. <b>43321</b>
			DWG. NO. DGSH15FT
			REV. <b>A</b>
			SCALE: NONE
			CAD FILE: DGSH15FT.SLDDRW
			SHEET 1 OF 1