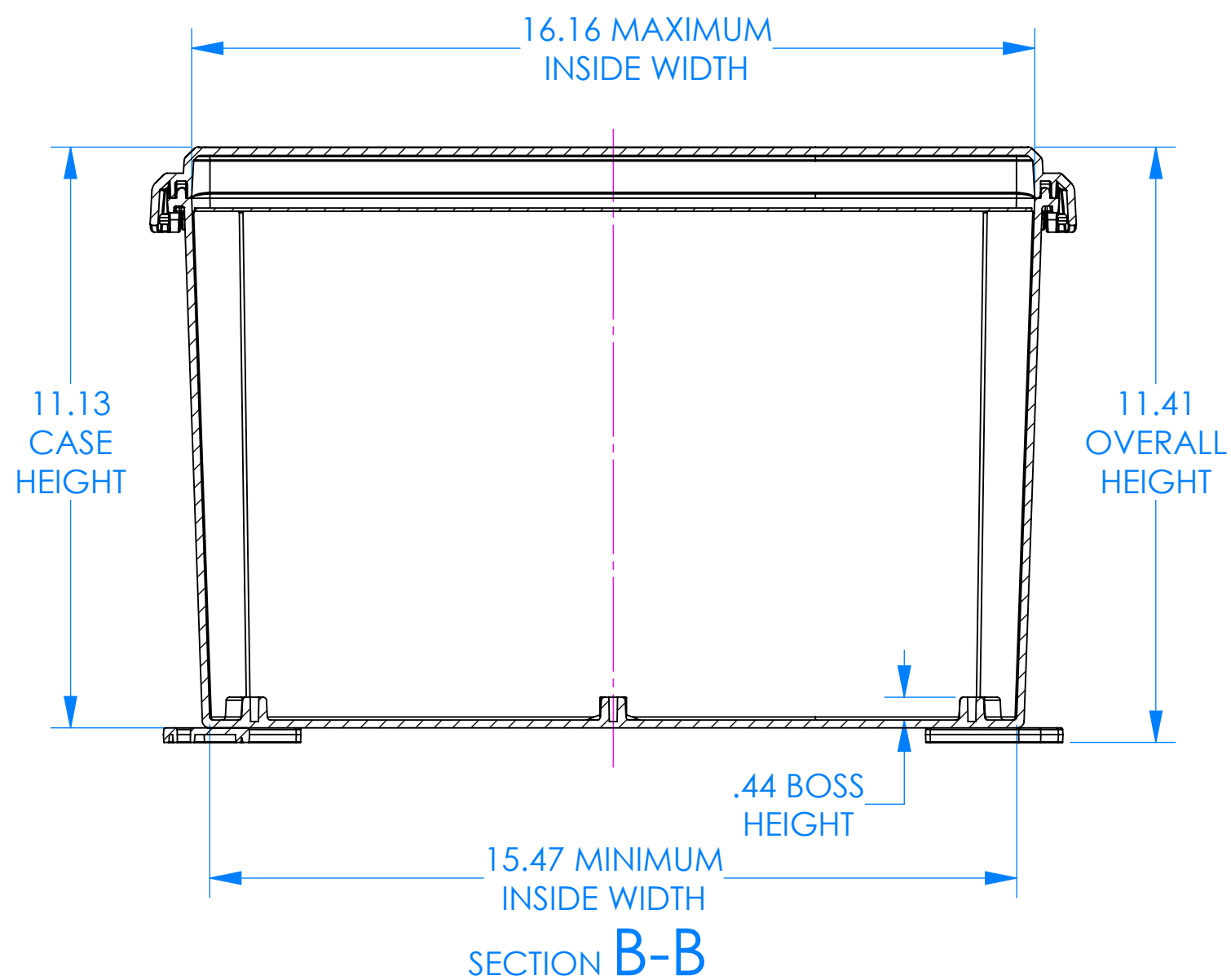
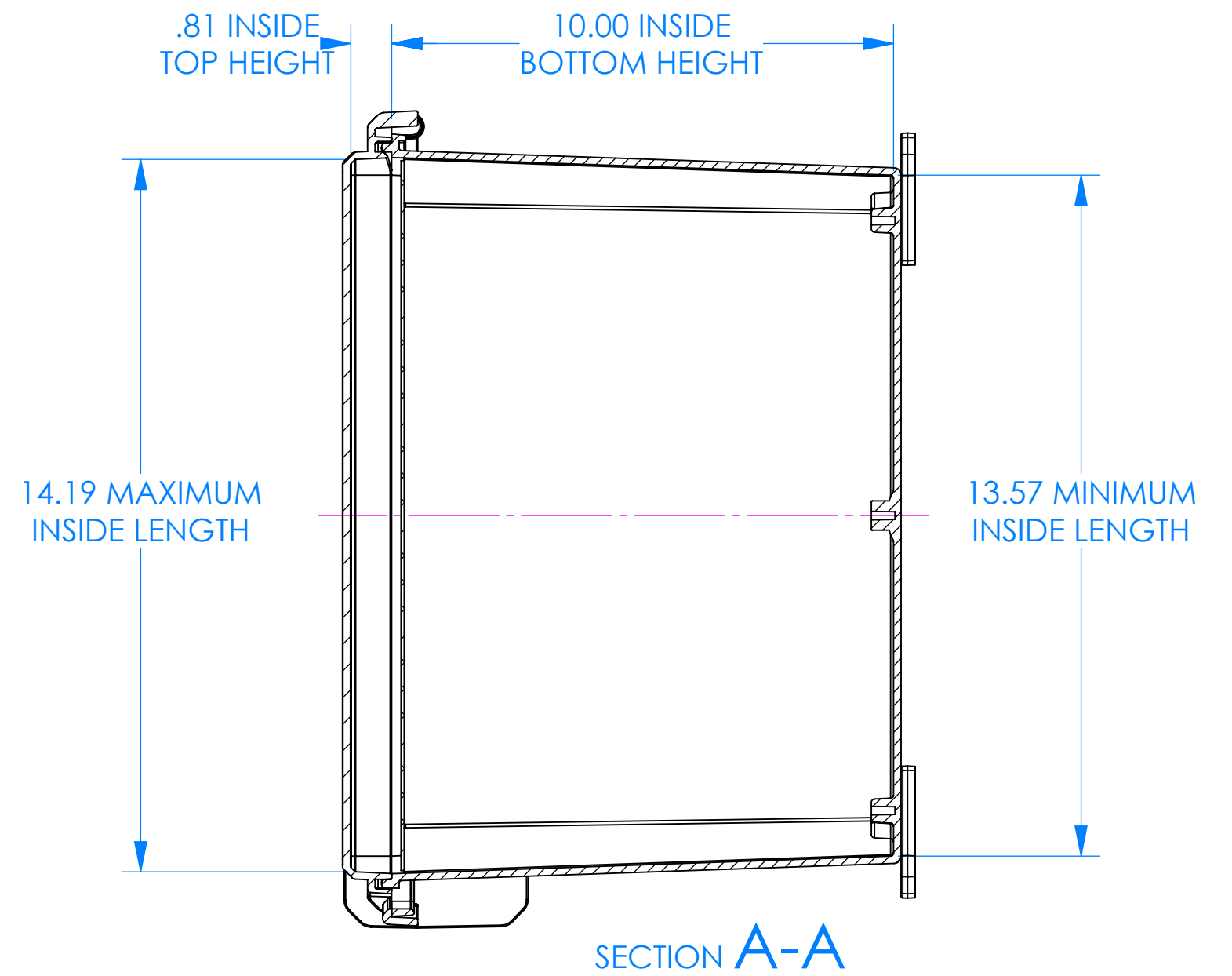
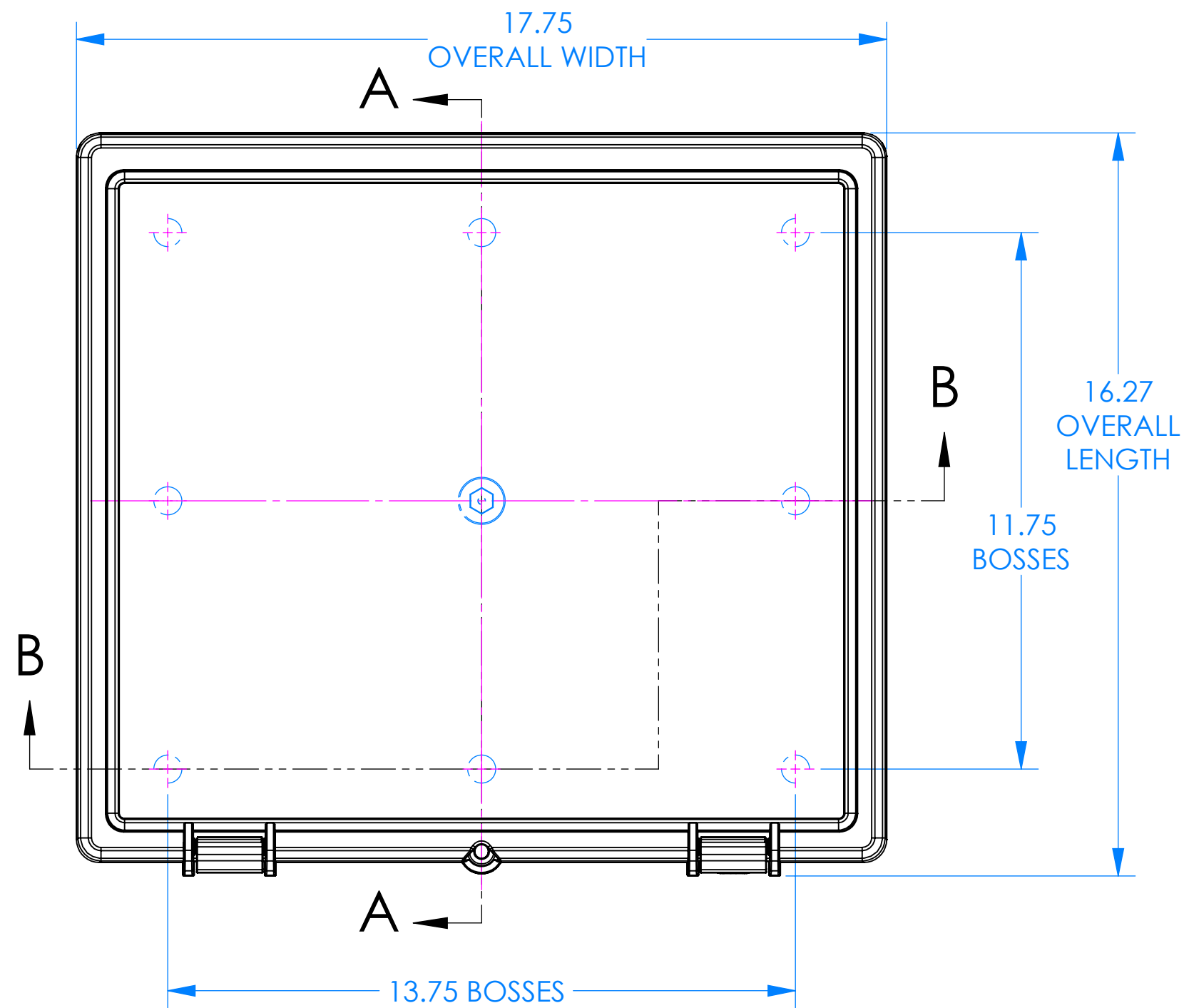


SERPAC I652HL

Electronic Enclosures

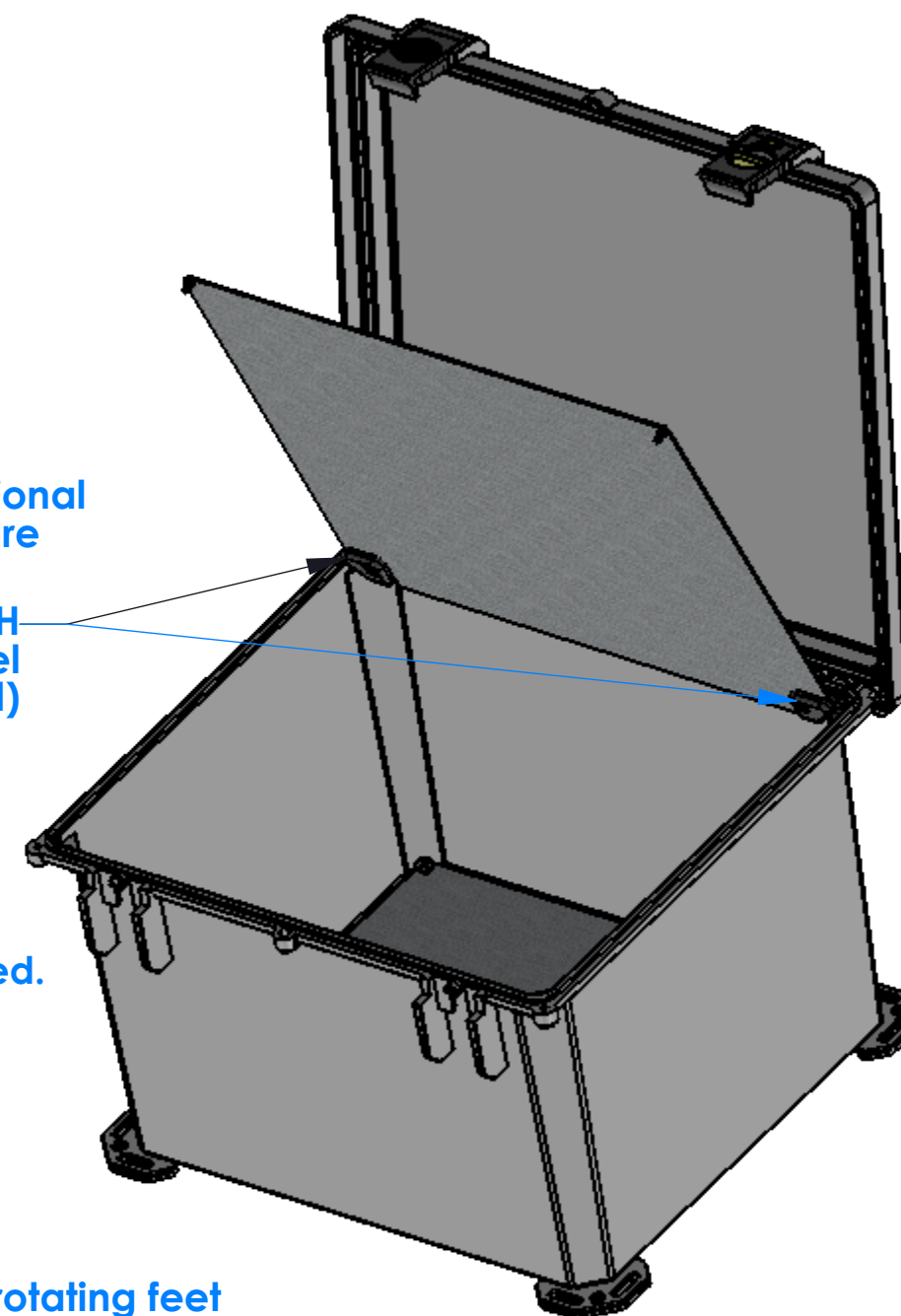


See pdf pages 2-4 for optional panels and panel hardware

Hinges for pn 7300TH hinged aluminum panel (2 included)

Aluminum panels for bottom, hinge, and top are not included. They are available as options:
Bottom panel p/n 73000
Hinged panel p/n 73020
Top panel p/n 73040

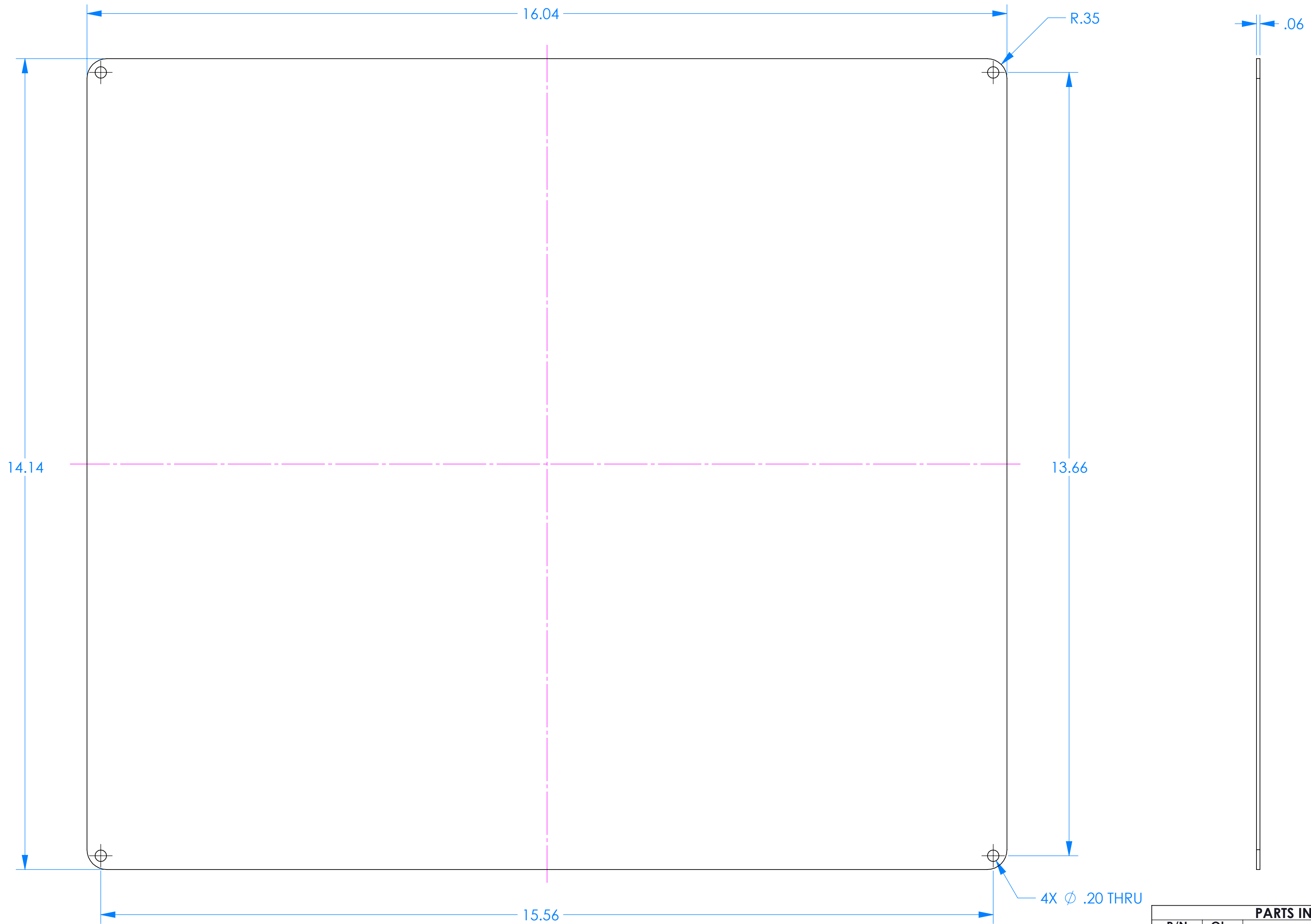
Open I652HL with rotating feet (4 included)



-Material: UV stabilized Polycarbonate
Flammability UL 94 V-2
-Watertight enclosure meets or exceed Nema 4 and or IP67.

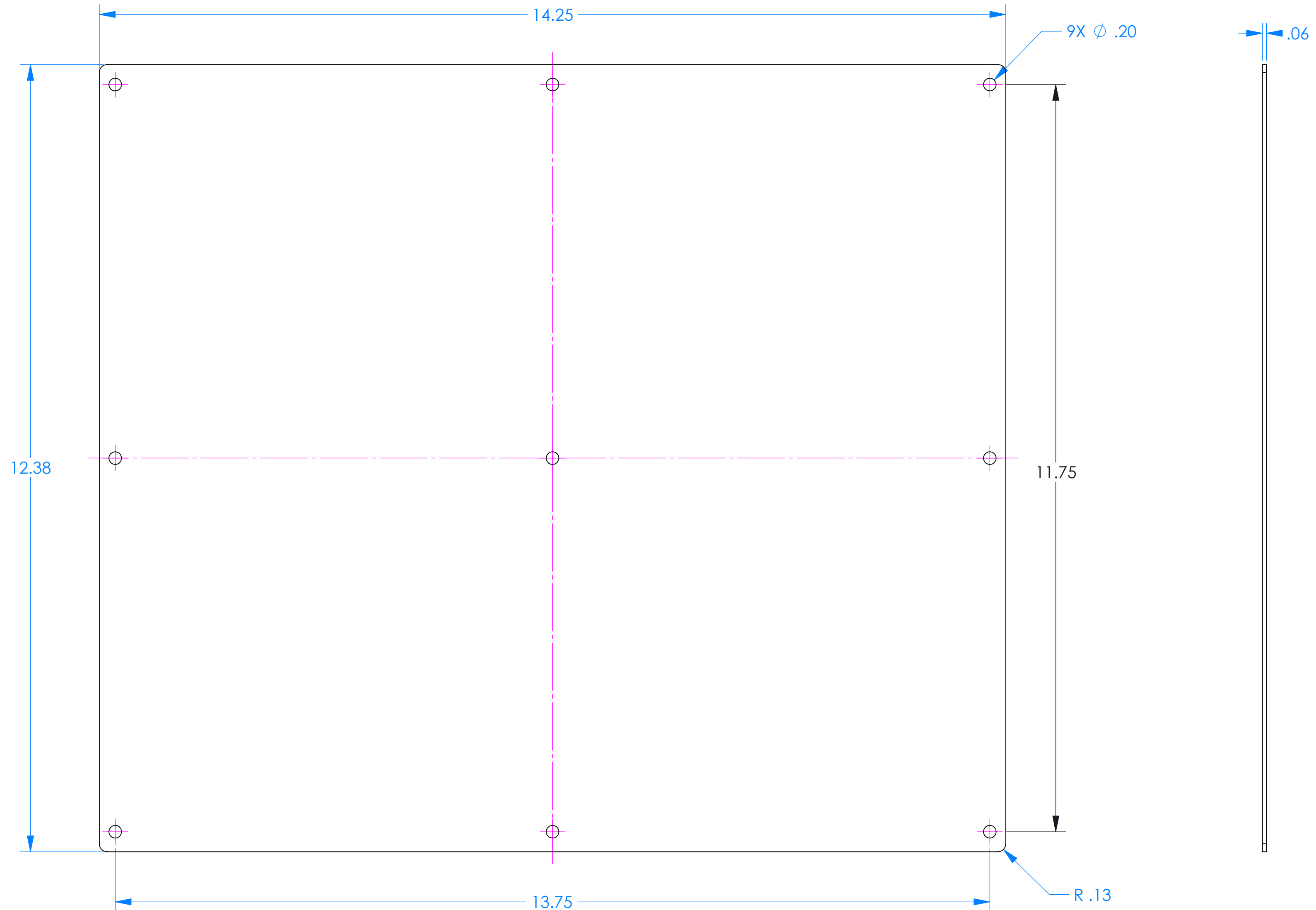
PARTS INCLUDED		
P/N	Qty.	Description
650 HLT	1	650 HL Top
650 HLB	1	650 HL Bottom
8650	1	650 Perimeter O-ring
7011M	2	I-Series Safety Latch
1355	4	Corner Mounting Feet
1308	1	350 Panel hinge A
1309	1	350 Panel hinge B
6028	9	SS #10 X 5/8" Pan H/L

7300T Top Panel Kit for I652HL



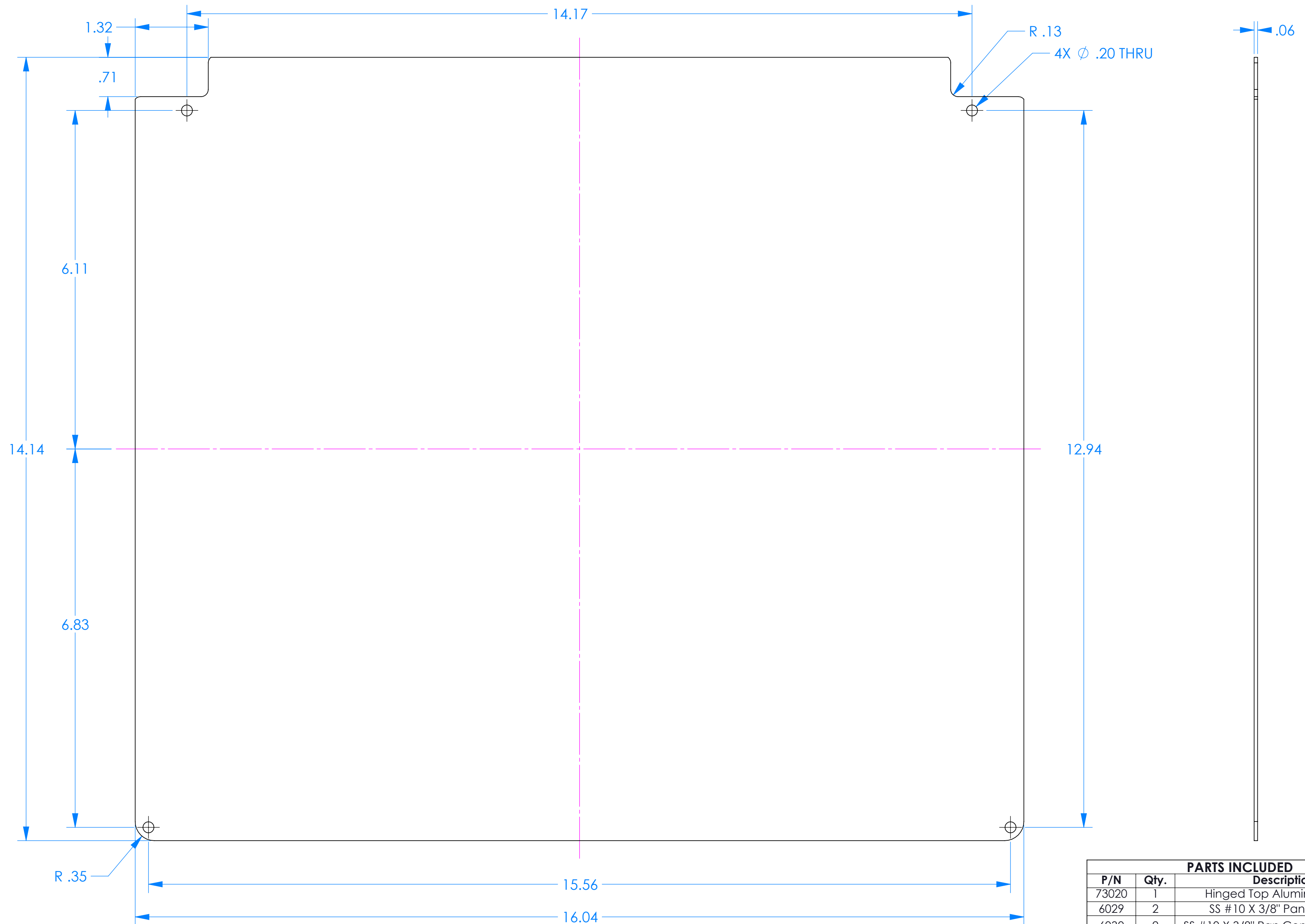
PARTS INCLUDED		
P/N	Qty.	Description
73040	1	Top Aluminum Panel
6029	4	SS #10 X 3/8" Pan HL Screw

7300B Bottom Panel Kit for I652HL



PARTS INCLUDED		
P/N	Qty.	Description
73000	1	Bottom Aluminum Panel
6029	9	SS #10 X 3/8" Pan HL Screw

7300TH Hinged Top Panel Kit for I652HL



PARTS INCLUDED		
P/N	Qty.	Description
73020	1	Hinged Top Aluminum Panel
6029	2	SS #10 X 3/8" Pan HL Screw
6030	2	SS #10 X 3/8" Pan Combo H/L Screw
6105	2	SS #10-32 X 1/8" Nut