

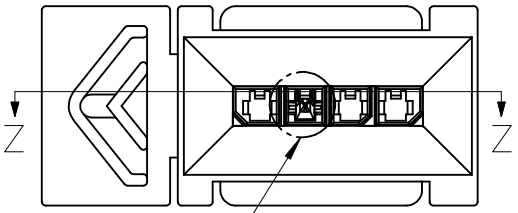
PLUG SHOWN MOUNTED IN PANEL

TOOLED	CKT SIZE	MATERIAL NUMBER	DIM "B"	DIM "C"	DIM "G"	DIM "H"
TBD	02	46625-0200	3.00 / .118	20.3 / .80	14.85 / .585	20.85 / .821
TBD	03	46625-0300	6.00 / .236	23.3 / .92	17.85 / .703	23.85 / .939
TBD	04	46625-0400	9.00 / .354	26.3 / 1.04	20.85 / .821	26.85 / 1.057
TBD	05	46625-0500	12.00 / .472	29.3 / 1.16	23.85 / .939	29.85 / 1.175
TBD	06	46625-0600	15.00 / .591	32.3 / 1.28	26.85 / 1.057	32.85 / 1.293
TBD	07	46625-0700	18.00 / .709	35.3 / 1.39	29.85 / 1.175	35.85 / 1.411
TBD	08	46625-0800	21.00 / .827	38.3 / 1.51	32.85 / 1.293	38.85 / 1.530
TBD	09	46625-0900	24.00 / .945	41.3 / 1.63	35.85 / 1.411	41.85 / 1.648
TBD	10	46625-1000	27.00 / 1.063	44.3 / 1.75	38.85 / 1.530	44.85 / 1.766
TBD	11	46625-1100	30.00 / 1.181	47.3 / 1.87	41.85 / 1.648	47.85 / 1.884
TBD	12	46625-1200	33.00 / 1.299	50.3 / 1.98	44.85 / 1.766	50.85 / 2.002

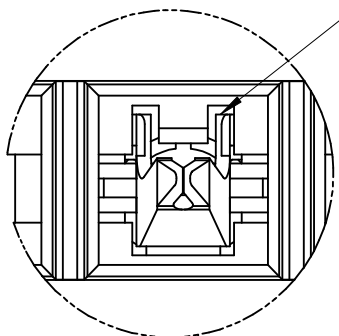
NOTES:

- MATERIAL: UNFILLED NYLON, UL94V-0 (HALOGEN-FREE), COLOR - BLACK.
- FINISH: N/A
- PRODUCT SPECIFICATION: PS-44300-001
- PACKAGING SPECIFICATION: BULK PACKED PER PK-46625-001
- THIS PLUG MATES WITH MOLEX SINGLE ROW BMI RECEPTACLE SERIES 46623.
- THIS PLUG TO BE USED WITH MOLEX MALE CRIMP TERMINAL SERIES 43031.
- THIS PLUG IS DESIGNED FOR USE WITH 1.57/.062 MAXIMUM TO 1.27/.050 MINIMUM THICK PANELS.
- HOUSING MAY EXHIBIT A SURFACE IMPERFECTION KNOWN AS "SINK MARKS" UP TO 0.60/.024 MAX. THIS IS COSMETIC DEFECT AND DOES NOT AFFECT FUNCTION OF THE CONNECTOR.
- THIS PART CONFORMS TO CLASS 'B' REQUIREMENTS OF COSMETIC SPECIFICATION PS-45499-002.

REVISION NOTES EC NO: UCP2013-1077 DR: WIMSTROH 2012/09/14 CHKD: SSOUSEK 2012/09/14 APPR: FSMITH 2012/09/25	QUALITY SYMBOLS ∇=0 ∇=0 ∇=0	GENERAL TOLERANCES (UNLESS SPECIFIED)		DIMENSION STYLE MM/IN		SCALE 4:1	DESIGN UNITS METRIC	THIRD ANGLE PROJECTION	
				mm	INCH	DRAWN BY BANDERSON	DATE 2012/05/25	MICRO-FIT (3.0) SINGLE ROW BMI PANEL MOUNT PLUG molex DOCUMENT NO. SD-46625-001 SHEET NO. 1 OF 2	
		4 PLACES ± --- ± ---		± --- ± ---		CHECKED BY BANDERSON	DATE 2012/05/25		
		3 PLACES ± --- ± .010		± .014		APPROVED BY FSMITH	DATE 2012/09/25		
2 PLACES ± 0.25 ± ---		± --- ± ---							
1 PLACE ± 0.35 ± ---		± --- ± ---							
0 PLACE ± --- ± ---		ANGULAR ±1/2°		MATERIAL NO.					
DRAFT WHERE APPLICABLE MUST REMAIN WITHIN DIMENSIONS		SEE CHART		THIS DRAWING CONTAINS INFORMATION THAT IS PROPRIETARY TO MOLEX INCORPORATED AND SHOULD NOT BE USED WITHOUT WRITTEN PERMISSION					

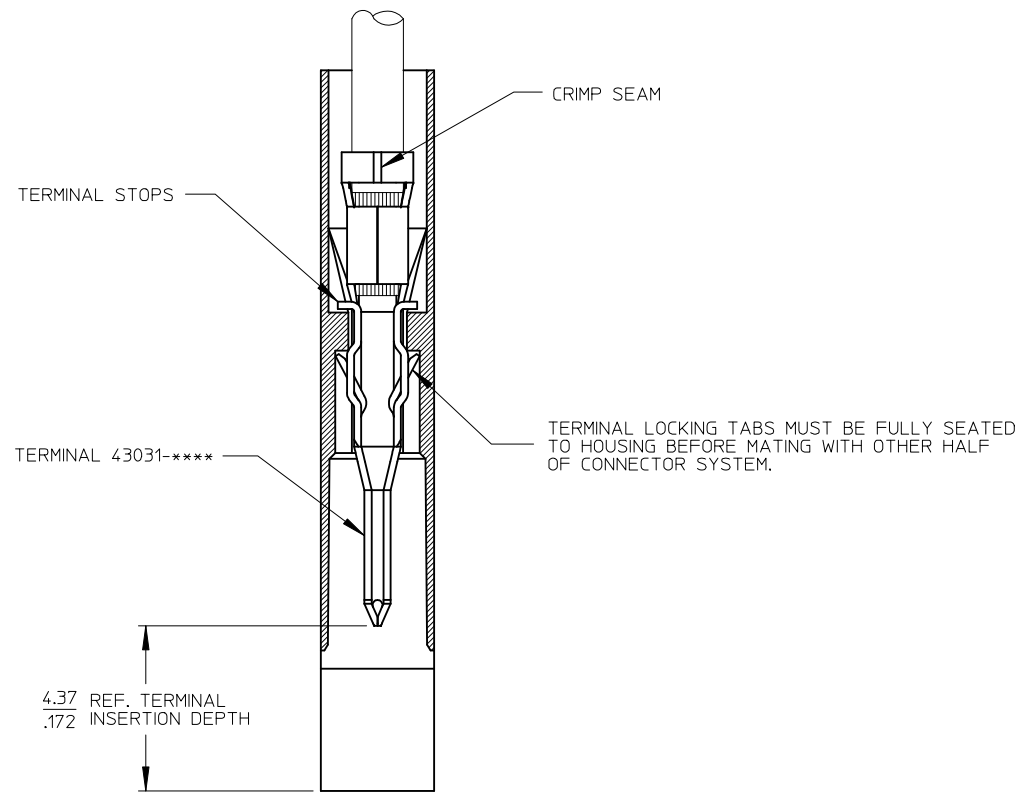


SEE DETAIL 1



TERMINAL ORIENTATION:
STOP TABS AND CRIMP SEAM FACE UP.

DETAIL 1
SCALE 20:1



SECTION Z-Z
(SCALE 10:1)

SEE SHEET 1 EC NO: UCP2013-1077 DRAWN: M. STROH 2012/09/14 CHKD: S. SOUSEK 2012/09/14 APPR: F. SMITH 2012/09/25	QUALITY SYMBOLS ▽=0 ▽=0 ▽=0	GENERAL TOLERANCES (UNLESS SPECIFIED) mm INCH 4 PLACES ± --- ± --- 3 PLACES ± --- ± .010 2 PLACES ± 0.25 ± .014 1 PLACE ± 0.35 ± --- 0 PLACE ± --- ± ---	DIMENSION STYLE MM/IN DRAWN BY DATE BANDERSON 2012/05/25 CHECKED BY DATE BANDERSON 2012/05/25 APPROVED BY DATE FSMITH 2012/09/25	SCALE 4:1 DESIGN UNITS METRIC	THIRD ANGLE PROJECTION
	MATERIAL NO. DOCUMENT NO. SHEET NO. SEE CHART SD-46625-001 2 OF 2				
	ANGULAR ±1/2° DRAFT WHERE APPLICABLE MUST REMAIN WITHIN DIMENSIONS				
	SIZE C THIS DRAWING CONTAINS INFORMATION THAT IS PROPRIETARY TO MOLEX INCORPORATED AND SHOULD NOT BE USED WITHOUT WRITTEN PERMISSION				
	TITLE MICRO-FIT (3.0) SINGLE ROW BMI PANEL MOUNT PLUG molex				