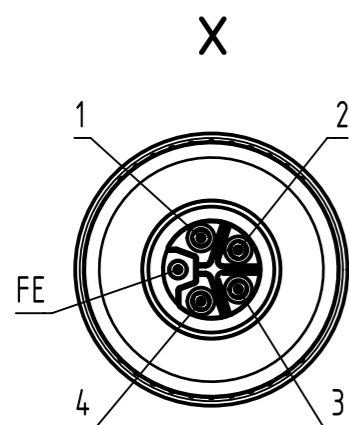
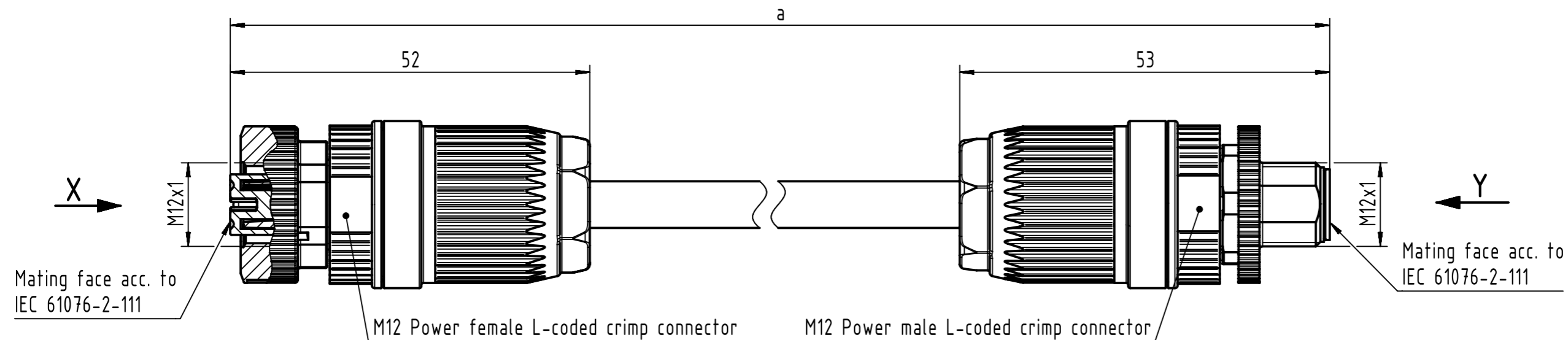
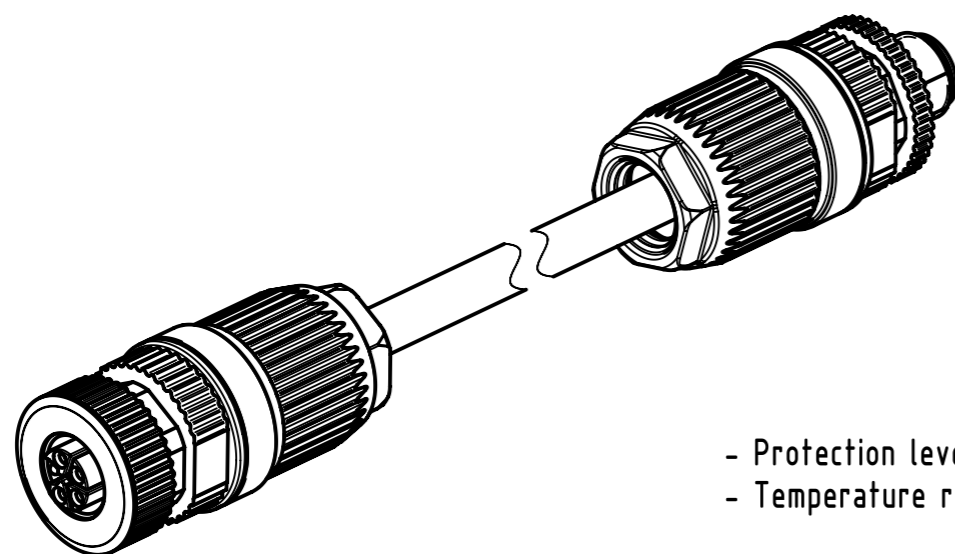
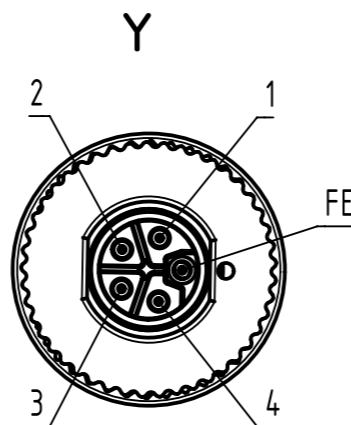
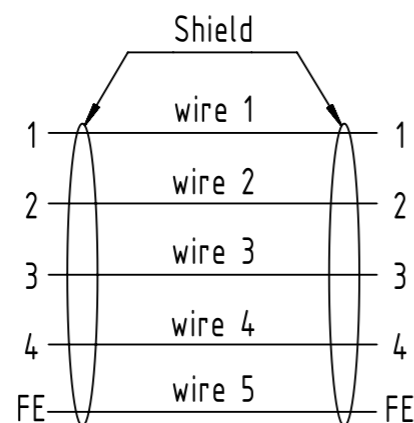


Connector Location A

Connector Location B



Loading-Plan:



- Protection level: IP65/67
 - Temperature range: -40°C ... +80°C

| | | |
|-----------------------|------|---------|
| length in "1m" step | 100 | XXX=000 |
| | 99 | XXX=990 |
| | . | . |
| length in "0.1m" step | 12 | XXX=120 |
| | 11 | XXX=110 |
| | 10 | XXX=100 |
| | 9.9 | XXX=099 |
| | 9.8 | XXX=098 |
| | . | . |
| | 0.5 | XXX=005 |
| | 0.4 | XXX=004 |
| | 0.3 | XXX=003 |
| | 0.2 | XXX=002 |
| Step | a[m] | XXX |

| | |
|------------|-----------|
| 6.0 to 100 | ±1% |
| 0.6 to 5.9 | +0.04 |
| 0.2 to 0.5 | +0.02 |
| a [m] | Tolerance |

| | |
|---------------------------------------|----------------|
| F-CY-OZ flexible, PVC grey, 5x2,5 mm² | 2133A7A8519XXX |
| Type of cable | Part no. |

| | | | | | | | |
|--|--|----------------------|--------------------------|--------------------------|--------------------|------------------------|---|
| All rights reserved Department HCS - RO HARTING Customised Solutions D-32427 Minden | All Dimensions in mm Tech. Character. Free size tol. According to production drawing 2016-10-17 | Created by COSTEA | Inspected by MUNTEANV | Standardisation AVRAM | Date 2016-10-19 | State Final Release | Doc-Key / ECM-Nr. 100694575/UGD/001/A 5000001104-19 |
| | Title M12 L-coded Cable Assembly | Type TB | Number 2133A7A8519XXX | Rev. A | Page 1/1 | | |