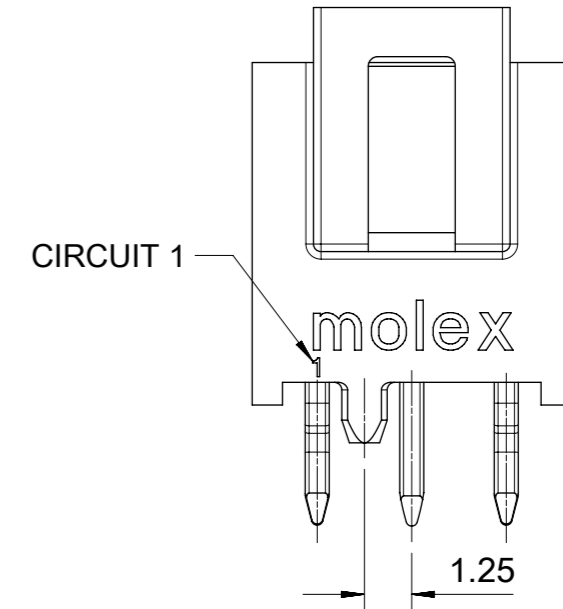
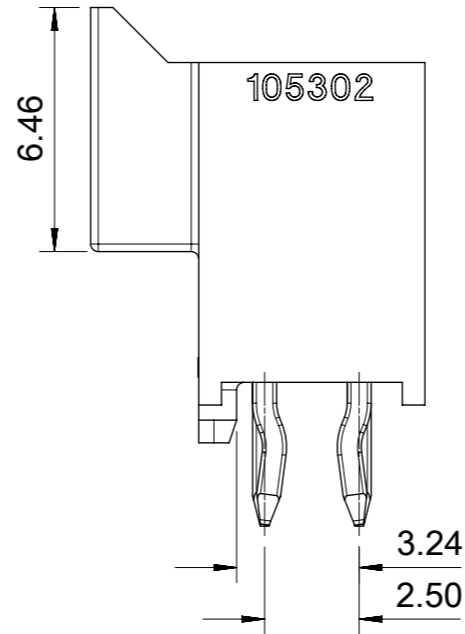
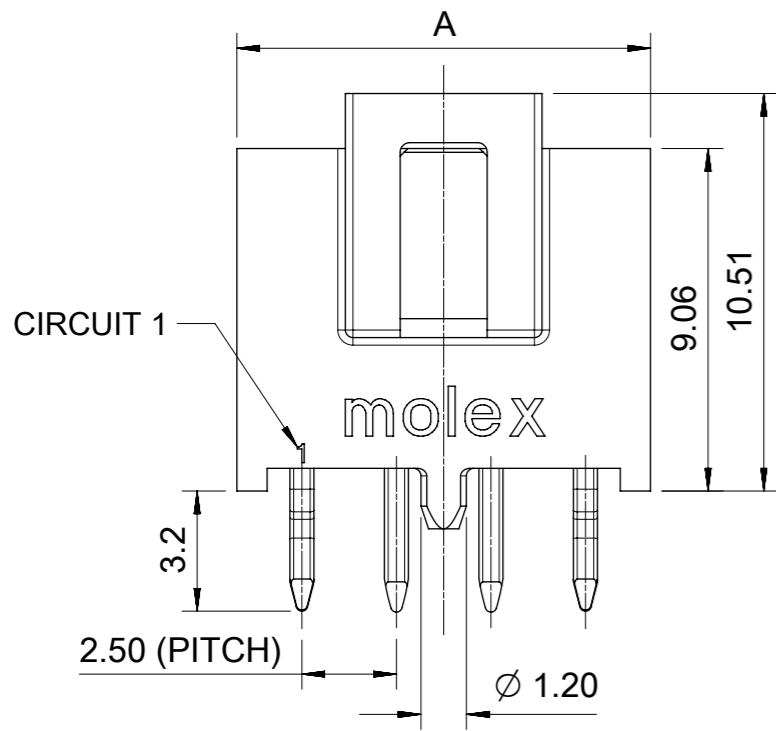
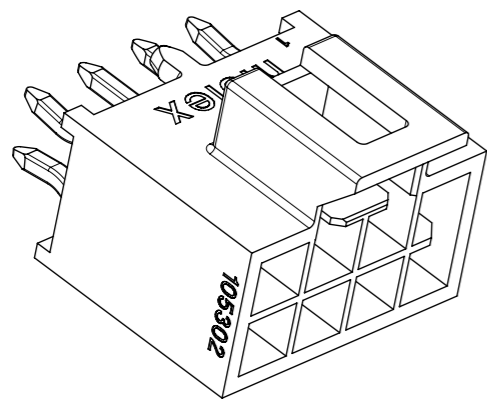


RECOMMENDED PCB(CONNECTOR SIDE VIEW)
THICKNESS=1.6 TO 2.4 MM



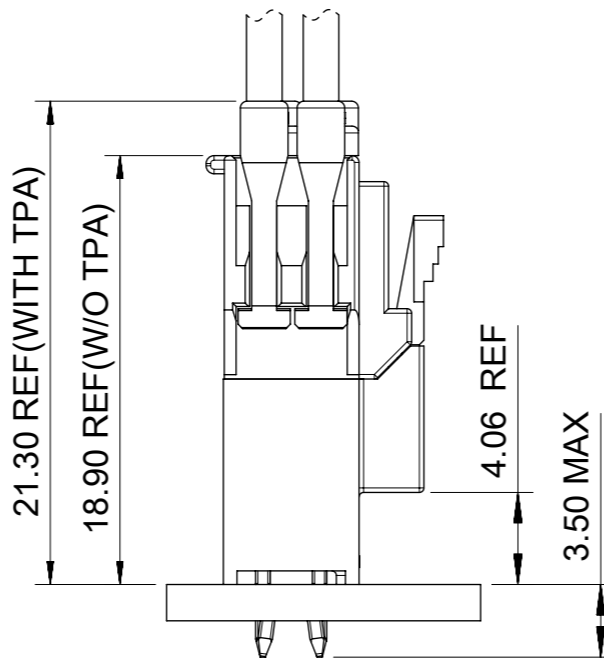
ONLY FOR CKT 6, 10, 14
OTHER DIMENSIONS REFER TO LEFT VIEWS.



QUALITY SYMBOLS		THIS DRAWING CONTAINS INFORMATION THAT IS PROPRIETARY TO MOLEX ELECTRONIC TECHNOLOGIES, LLC AND SHOULD NOT BE USED WITHOUT WRITTEN PERMISSION									
∇_A	= 0	EC NO: 115635 DRWN: GLLI CHK'D: APPR: AYIN	2017/03/29 2017/05/15	GENERAL TOLERANCES (UNLESS SPECIFIED)		DIMENSION UNITS	SCALE				
∇_E	= 0			ANGULAR TOL $\pm 3.0^\circ$		MM	5:1				
∇_F	= 0			4 PLACES \pm		DRWN BY	DATE				
∇_G	= 0			3 PLACES ± 0.1		GLLI	2013/10/30				
∇_H	= 0			2 PLACES ± 0.2		CHK'D BY	DATE				
∇_I	= 0			1 PLACE ± 0.3		APPR BY	DATE				
∇_J	= 0	0 PLACES \pm		AYIN	2015/04/08	DRAWING SIZE		THIRD ANGLE PROJECTION			
∇_K	= 0	DRAFT WHERE APPLICABLE MUST REMAIN WITHIN DIMENSIONS		A3				PRODUCT CUSTOMER DRAWING			
∇_L	= 0					SERIES	MATERIAL NUMBER	CUSTOMER			
						105310	SEE SHEET 2	GENERAL MARKET			
						DOCUMENT NUMBER		DOC TYPE	DOC PART	SHEET NUMBER	
						SD-105310-100		PSD	000	1 OF 4	

PART NUMBER	DIM 'A'	DIM 'B'	CKT SIZE	PLATING
105310-1104	5.94	2.50	4	TIN ▽ D
105310-1106	8.44	5.00	6	
105310-1108	10.94	7.50	8	
105310-1110	13.44	10.00	10	
105310-1112	15.94	12.50	12	
105310-1114	18.44	15.00	14	
105310-1116	20.94	17.50	16	
105310-1204	5.94	2.50	4	
105310-1206	8.44	5.00	6	
105310-1208	10.94	7.50	8	
105310-1210	13.44	10.00	10	
105310-1212	15.94	12.50	12	
105310-1214	18.44	15.00	14	
105310-1216	20.94	17.50	16	
105310-1304	5.94	2.50	4	GOLD 0.76
105310-1306	8.44	5.00	6	
105310-1308	10.94	7.50	8	
105310-1310	13.44	10.00	10	
105310-1312	15.94	12.50	12	
105310-1314	18.44	15.00	14	
105310-1316	20.94	17.50	16	

COLOR: BLACK



105310- * * * *
 CIRCUIT SIZE
 PLATING OPTION
 1 - TIN
 2 - GOLD 0.38
 3 - GOLD 0.76
 COLOR OPTION
 1 - BLACK
 2 - NATURAL

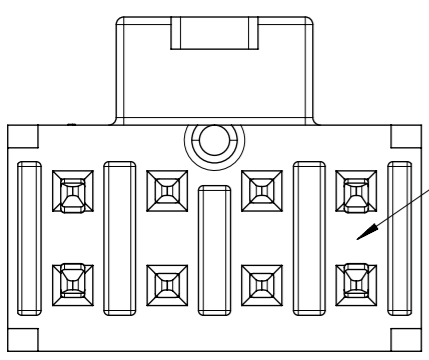
PART NUMBER	DIM 'A'	DIM 'B'	CKT SIZE	PLATING
105310-2104	5.94	2.50	4	TIN ▽ D
105310-2106	8.44	5.00	6	
105310-2108	10.94	7.50	8	
105310-2110	13.44	10.00	10	
105310-2112	15.94	12.50	12	
105310-2114	18.44	15.00	14	
105310-2116	20.94	17.50	16	
105310-2204	5.94	2.50	4	
105310-2206	8.44	5.00	6	
105310-2208	10.94	7.50	8	
105310-2210	13.44	10.00	10	
105310-2212	15.94	12.50	12	
105310-2214	18.44	15.00	14	
105310-2216	20.94	17.50	16	
105310-2304	5.94	2.50	4	GOLD 0.76
105310-2306	8.44	5.00	6	
105310-2308	10.94	7.50	8	
105310-2310	13.44	10.00	10	
105310-2312	15.94	12.50	12	
105310-2314	18.44	15.00	14	
105310-2316	20.94	17.50	16	

COLOR: NATURAL

NOTES FOR ALL PARTS

1> MATERIAL:
 HOUSING: LCP; TERMINAL: BRASS.
 2> PLATING FINISHED:
 TERMINAL:
 CONTACT AREA: a. TIN 1.5MICRONS MIN; b. GOLD 0.38 MICRONS MIN;
 c. GOLD 0.76 MICRONS MIN.
 SOLDER AREA: TIN 1.5 MICRONS MIN, UNDER PLATING NICKEL 1.25 MICRONS MIN.
 SOLDER CLIP: TIN 2.5 MICRONS MIN, UNDER PLATING NICKEL 1.25 MICRONS MIN.
 3> PRODUCT SPECIFICATION: PS-105300-100.

4> PACKAGE: TRAY, PK-105309-100.
 5> ALL COMPONENTS AND PRODUCT COMPLIANT TO RoHS DIRECTIVE 2011/65/EU AND ELV DIRECTIVE 2000/53/EC.
 6> PRODUCT MATE WITH SERIES OF 105308(RECEPTACLE), 105300(CRIMP TERMINAL).
 7> PARTS CONFORM TO CLASS 'B'REQUIREMENTS OF COSMETIC SPECIFICATION PS-45499-002.
 8> DISCOLORATION IN THE BANDOLIER PIN CARRIER AREA OF THE PIN IS INHERENT TO THE PLATING PROCESS AND IS DUE TO THE MASKING DEFECT OF THE CARRIER, THIS DISCOLORATION IS IN A NON-FUNCTION AREA OF THE PIN AND WILL NOT AFFECT THE PERFORMANCE OF THE HEADER ASSEMBLY.

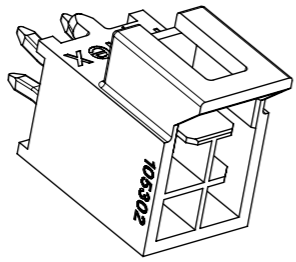
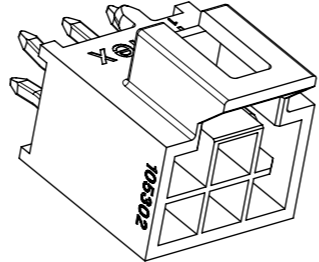
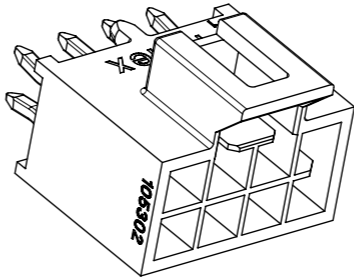
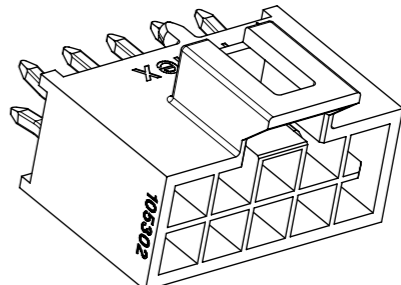
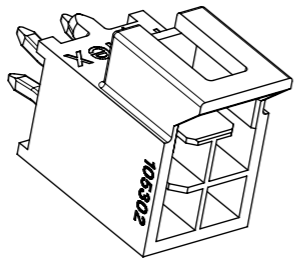
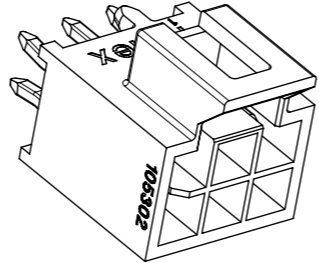
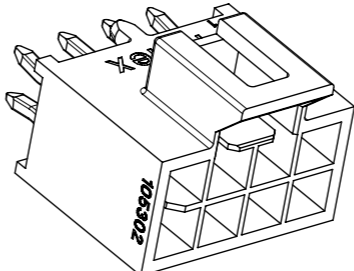
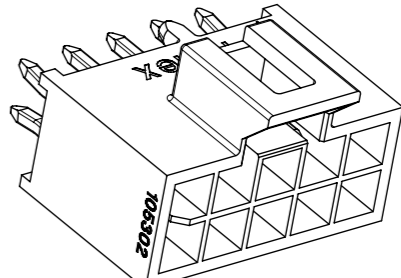
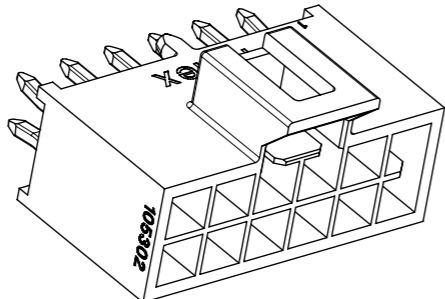
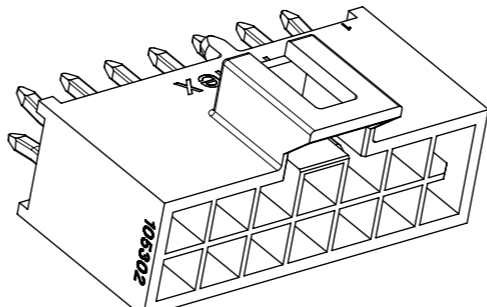
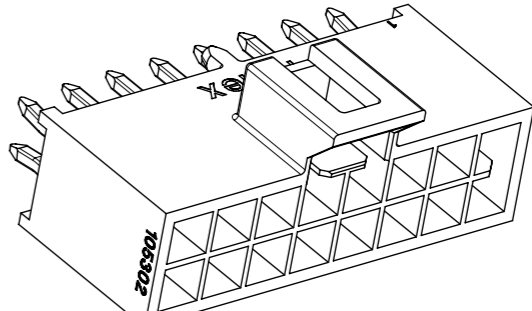
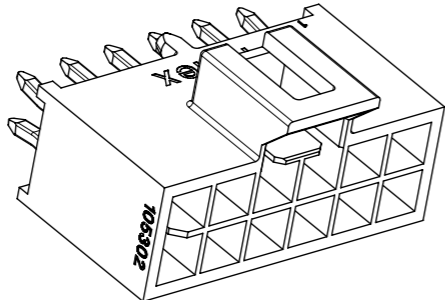
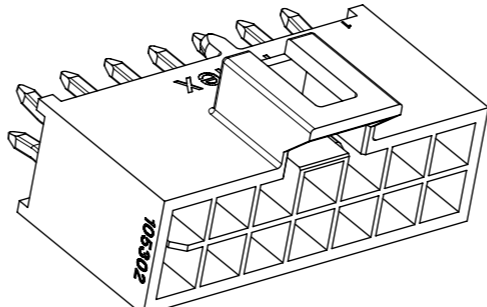
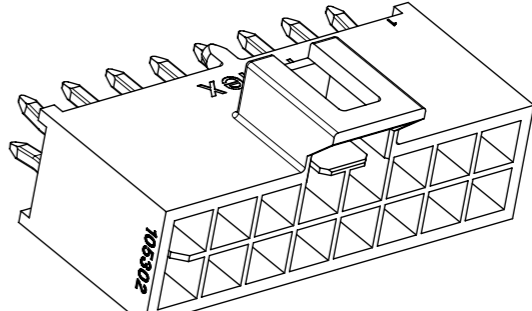


IF ANY NUMBER MARK APPEARS ON THIS SURFACE, PLEASE DISREGARD IT, IT IS NO ANY FUCTION AND NO ANY RELATION TO PIN NUMBER, IT IS JUST FOR MOLDING IDENDIFICATION.


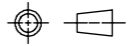
QUALITY SYMBOLS	
▽A	= 0
▽E	= 0
▽F	= 0
▽B	= 0
▽C	= 0
▽D	= 0
▽	= 0
▽	= 0
▽	= 0

THIS DRAWING CONTAINS INFORMATION THAT IS PROPRIETARY TO MOLEX ELECTRONIC TECHNOLOGIES, LLC AND SHOULD NOT BE USED WITHOUT WRITTEN PERMISSION

2017/03/29	2017/05/15	GENERAL TOLERANCES (UNLESS SPECIFIED)	DIMENSION UNITS	SCALE				
EC NO: 115635	DRWN: GLLI		ANGULAR TOL ± 3.0 °	MM		3:1		
		4 PLACES ±		DRWN BY		DATE	HEADER OF NANO-FIT, D/R, KINK, VERTICAL POWER CONNECTOR	
3 PLACES ± 0.1	GLLI	2013/10/30						
2 PLACES ± 0.2	CHK'D BY	DATE	PRODUCT CUSTOMER DRAWING					
1 PLACE ± 0.3	AYIN	2015/04/08						
0 PLACES ±	APPR BY	DATE	SERIES	MATERIAL NUMBER	CUSTOMER			
DRAFT WHERE APPLICABLE MUST REMAIN WITHIN DIMENSIONS	D	REV	105310	SEE CHART	GENERAL MARKET			
			DRAWING SIZE	THIRD ANGLE PROJECTION	DOCUMENT NUMBER	DOC TYPE	DOC PART	SHEET NUMBER
			A3		SD-105310-100	PSD	000	2 OF 4

	4 CKT	6 CKT	8 CKT	10 CKT
BLACK				
NATURAL				
	12 CKT	14 CKT	16 CKT	
BLACK				
NATURAL				



THIS DRAWING CONTAINS INFORMATION THAT IS PROPRIETARY TO MOLEX ELECTRONIC TECHNOLOGIES, LLC AND SHOULD NOT BE USED WITHOUT WRITTEN PERMISSION											
QUALITY SYMBOLS		2017/03/29		2017/05/15		GENERAL TOLERANCES (UNLESS SPECIFIED)		DIMENSION UNITS		SCALE	
▽A	= 0	EC NO: 115635 DRWN: GLLI CHK'D: AYIN REV APPR: AYIN	D	ANGULAR TOL ± 3.0 °		MM		3:1		 HEADER OF NANO-FIT, D/R, KINK, VERTICAL POWER CONNECTOR	
▽E	= 0			4 PLACES ±		DRWN BY		DATE			
▽F	= 0			3 PLACES ± 0.1		GLLI		2013/10/30			
▽B	= 0			2 PLACES ± 0.2		CHK'D BY		DATE			
▽C	= 0			1 PLACE ± 0.3		APPR BY		DATE			
▽D	= 0			0 PLACES ±		AYIN		2015/04/08			
▽	= 0	DRAFT WHERE APPLICABLE MUST REMAIN WITHIN DIMENSIONS		DRAWING SIZE		THIRD ANGLE PROJECTION		PRODUCT CUSTOMER DRAWING			
■	= 0			A3				SERIES		MATERIAL NUMBER	
▽	= 0							105310		SEE SHEET 2	
								CUSTOMER		GENERAL MARKET	
								DOCUMENT NUMBER		DOC TYPE DOC PART SHEET NUMBER	
								SD-105310-100		PSD 000 3 OF 4	