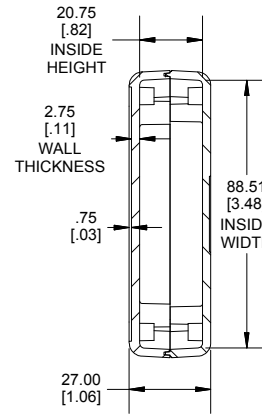
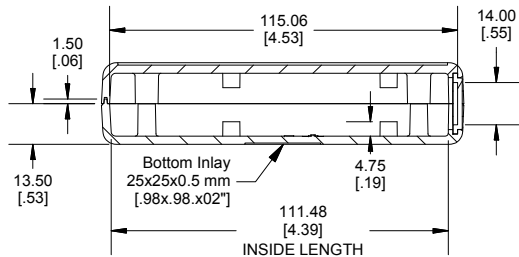
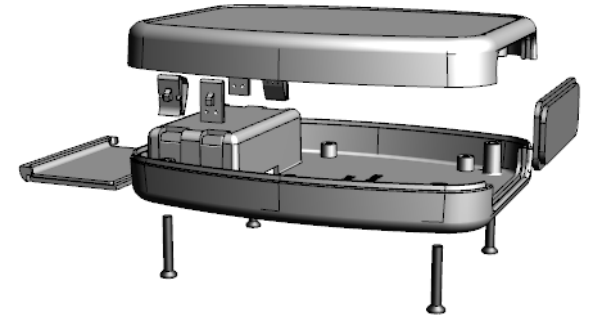


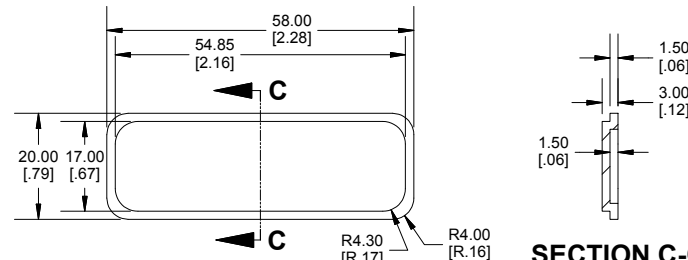
END VIEW



SECTION A-A



SECTION B-B



END PANEL

SECTION C-C

Enclosures can be Factory Modified ( Milling, Drilling, Printing etc.)  
 Contact Factory [mjm@hammondmfg.com](mailto:mjm@hammondmfg.com) for quotes  
 Solid models of this enclosure available in STEP or IGES.  
 (Part number and text placement/orientation on our products are subject to change,  
 we do not recommend using them as a locating reference for modification purposes)

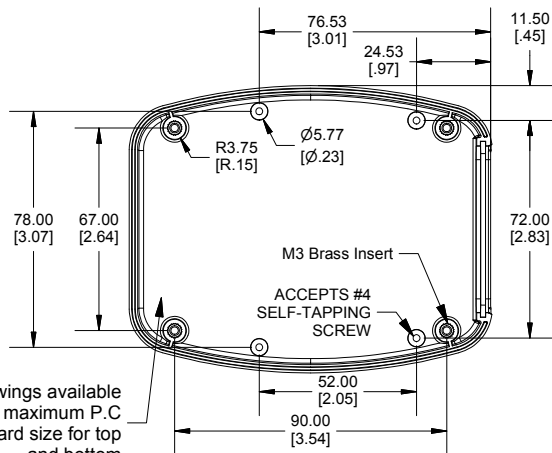
**NOTE**

Purchased assembly includes top and bottom cover, 1 removable panel and 4 cover screws (M3-0.5 x 18mm) . M3 Brass inserts are installed for cover screws. Enclosure molded from FR ABS (UL94-V0) plastic.

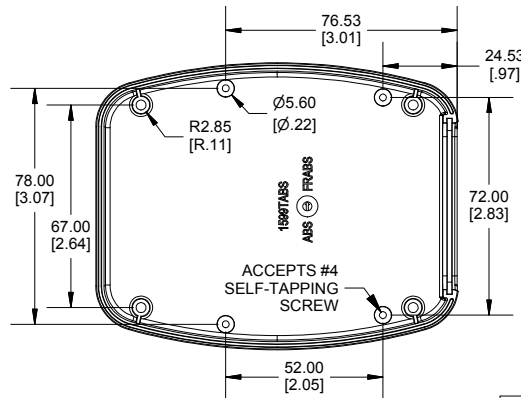
**Recommended Cover Screw Torque - 43-50 ozf.in (30-35cN-m)**

**PART NUMBERS**

1599TABS Enclosure	
Black Enclosure	1599TABSBK
Grey Enclosure	1599TABSGY
ACCESSORIES	
Replacement Cover Screws [M3-0.5 x 18mm] (Pkg 100)	1594MS100 (Silver) 1594MS100BK (Black)
P.C. Board Screws (#4 x 1/4" Self Tapping)	1593ATS50 (Pkg 50) 1593ATS100 (Pkg 100)
1599TABS End Panel (Single Panel)	1599TABSPBK-B (Black) 1599TABSPGY-B (Grey)



INSIDE BOTTOM



INSIDE TOP

Drawings available for maximum P.C Board size for top and bottom

Dimensions:  
mm  
[inches]

