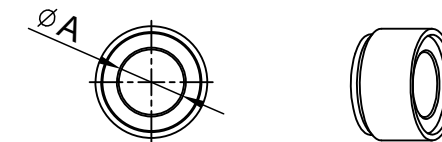
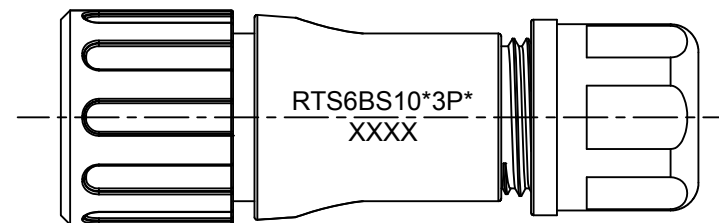
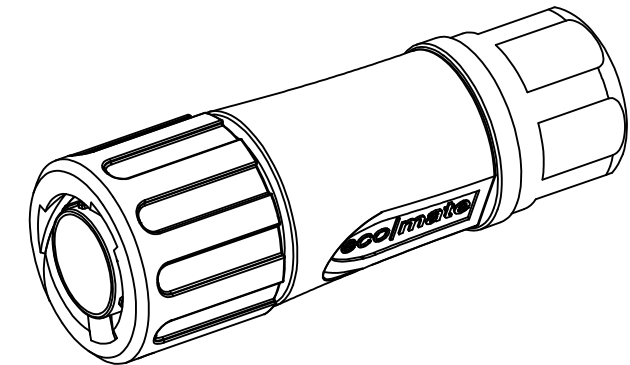
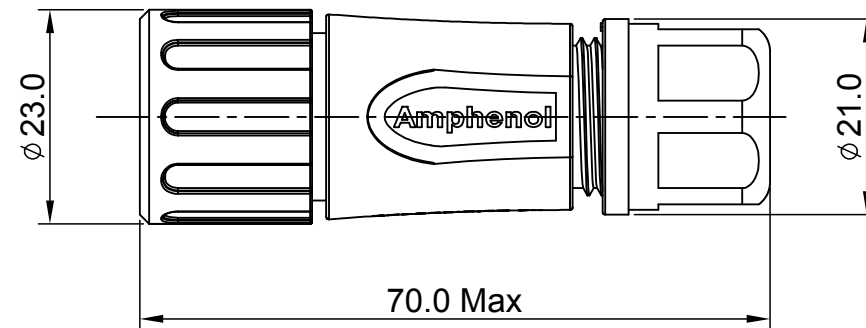
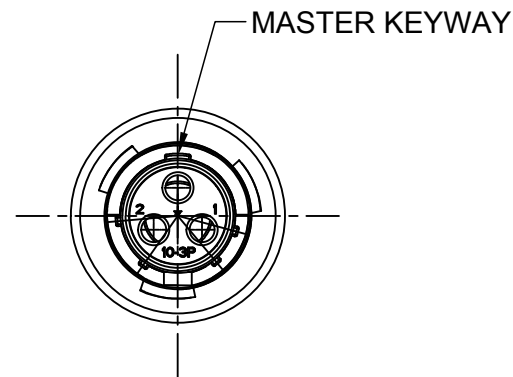


REVISIONS					
REV	ECO	DESCRIPTION	DATE	BY	APPR
A1	--	RELEASED DRAWING	Aug-10-2016	Ben	Tommy
A2	--	UPDATE NOTES	Jun-20-2017	Nick	Tommy



NOTES : (UNLESS OTHERWISE SPECIFIED)

- MATERIAL :
 SHELL : THERMOPLASTIC , UL94 V-0.
 INSERT : THERMOPLASTIC , UL94 V-0.
 COUPLING NUT : THERMOPLASTIC , UL94 V-0.
 O-RING : NBR/SILICONE RUBBER.
 WASHER : SILICONE RUBBER.
 BACK SHELL : THERMOPLASTIC , UL94 V-0.
 CLAMP NUT : THERMOPLASTIC , UL94 V-0.
 CLAMP RING : THERMOPLASTIC , UL94 V-0.
 CABLE SEAL : EPDM.
- SPECIFICATIONS :
 2.1 RATED CURRENT : 13A (MAX).
 2.2 RATED VOLTAGE : 500V(AC/DC).
 2.3 OPERATING TEMPERATURE : SEE TABLE .
 2.4 DIELECTRIC WITHSTANDING VOLTAGE : LESS THAN
 2 MILLIAMPS CURRENT LEAKAGE@2000 VOLTS AC.
 2.5 INSULATION RESISTANCE : 5000 MEGOHMS MIN.
 2.6 IP--CLASS : IP67 AND IP69K.
 2.7 MATING CYCLES DURABILITY : 500 CYCLES MIN.
 2.8 RoHS COMPLIANT.
- SUITABLE CONTACTS : 16# CONTACT.
- ALL DIMENSIONS ARE FOR REFERENCE USE ONLY.

DIMENSION ϕA	CABLE OD RANGE
7.0MM	4.0-6.5MM
8.8MM	5.0-8.8MM

KEY	PART NUMBER	
	-40°C ~ +105°C	-40°C ~ +125°C
N	RTS6BS10N3P	RTS6BS10N3P03

QUANTITY	PART NUMBER	DESCRIPTION	ITEM																		
MATERIALS LIST																					
UNLESS OTHERWISE SPECIFIED 1) All dimensions are in metric(mm). 2) Tolerances are as follows: 1 PL DEC ± 0.30 Fractions $\pm 1/64$ 2 PL DEC ± 0.15 Angles $\pm 1^\circ$ 3 PL DEC ± 0.08 3) Note reference = $\triangle x$		<table border="1"> <thead> <tr> <th colspan="2">SIGNATURES</th> <th>DATE</th> </tr> </thead> <tbody> <tr> <td>DRAWN:</td> <td>Nick</td> <td>Jun-20-2017</td> </tr> <tr> <td>CHECKED:</td> <td>Tod</td> <td>Jun-20-2017</td> </tr> <tr> <td>ENGINEER:</td> <td></td> <td></td> </tr> <tr> <td>APPROVAL:</td> <td>Tommy</td> <td>Jun-20-2017</td> </tr> <tr> <td>CUSTOMER:</td> <td colspan="2"></td> </tr> </tbody> </table>		SIGNATURES		DATE	DRAWN:	Nick	Jun-20-2017	CHECKED:	Tod	Jun-20-2017	ENGINEER:			APPROVAL:	Tommy	Jun-20-2017	CUSTOMER:		
SIGNATURES		DATE																			
DRAWN:	Nick	Jun-20-2017																			
CHECKED:	Tod	Jun-20-2017																			
ENGINEER:																					
APPROVAL:	Tommy	Jun-20-2017																			
CUSTOMER:																					
MATERIAL SPECIFICATIONS:		<p style="text-align: center;">Amphenol</p> <p>Sine Systems - www.amphenol-sine.com 44724 Morley Drive Clinton Township, MI 48036</p> <p style="text-align: center;">ECO-MATE, PLUG, BACK SHELL, SIZE 10, 3POS, PIN.</p>																			
PROCESS SPECIFICATIONS:																					
NEXT ASSY:		<table border="1"> <thead> <tr> <th>SIZE</th> <th>TYPE</th> <th>DWG NO:</th> <th>REVISION</th> </tr> </thead> <tbody> <tr> <td>B</td> <td>C-</td> <td>RTS6BS10*3P*</td> <td>A2</td> </tr> </tbody> </table>	SIZE	TYPE	DWG NO:	REVISION	B	C-	RTS6BS10*3P*	A2											
SIZE	TYPE	DWG NO:	REVISION																		
B	C-	RTS6BS10*3P*	A2																		
		SCALE: NONE	SHEET 1 OF 1																		

TITLE: ECO-MATE, PLUG, BACK SHELL, SIZE 10, 3POS, PIN
 DWG NO: RTS6BS10*3P*
 REV: A2
 SH: 1
 OF: 1