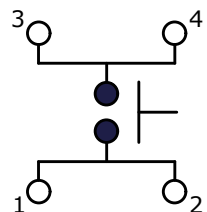


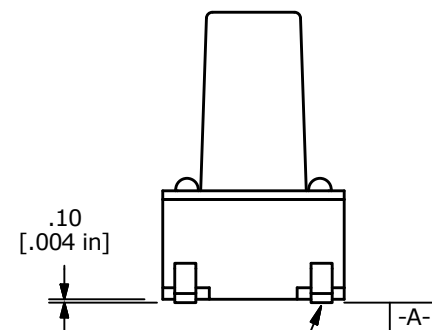
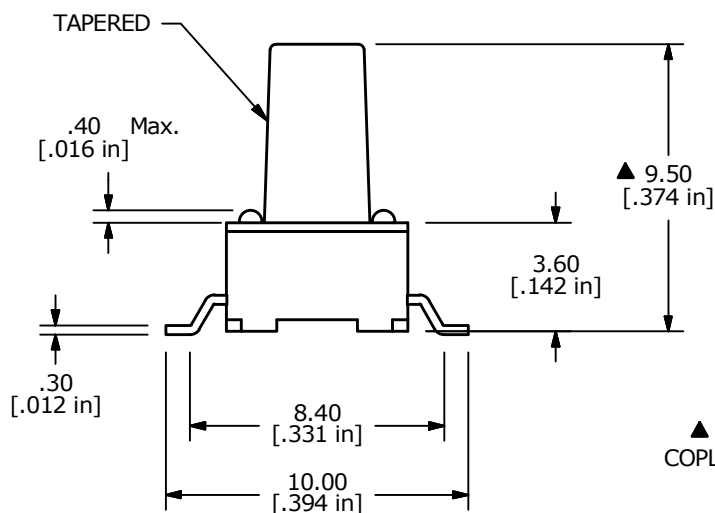
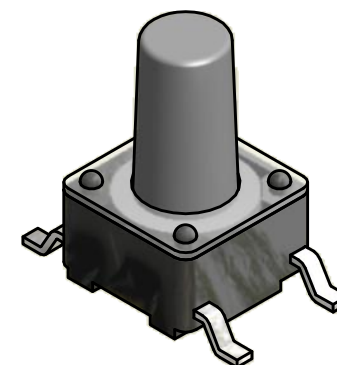
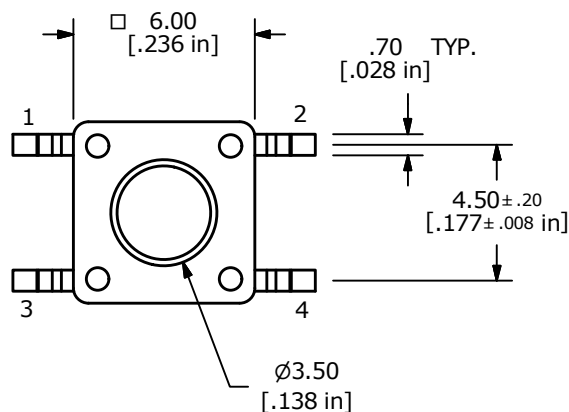
P.C.B. LAYOUT



CIRCUIT: SPST

NOTES:

1. ALL DIMENSIONS IN MM
2. GENERAL TOLERANCE: X.X = ±0.4  
X.XX = ±0.25
3. TERM. NOS. FOR REFERENCE ONLY.
4. RATING: 12VDC, 50mA
- ▲ 5. OPERATING FORCE: 260 ± 50 gms
6. TRAVEL: 0.25 ± .1mm
7. CONTACT RESISTANCE: 100 MILLI OHMS MAX. (INITIAL)
8. MECHANICAL/ELECTRICAL LIFE 100,000 CYCLES MIN.
9. CONTACT MATERIAL: SILVER
10. 2002/95/EC (ROHS) COMPLIANT
- ▲ 11. PACKAGING: TAPE and REEL (qty 500 per Reel)
12. ▲ DENOTES CRITICAL PARAMETER



▲ ALL (4) TERMINALS  
COPLANAR WITHIN .10(.004")

B	22478	update to show 9.50 dimension	9/1/16	MW
A	22365	Release for Production	6/22/2016	MW
REV	PCR NO	DESCRIPTION	DATE	BY

TITLE TL3301BF260QG (Tape and Reel)				
SCALE	DATE	DR	DWG	REV
4:1	6/22/2016	MW	P010695	B

THE INFORMATION CONTAINED IN THIS DOCUMENT IS PROPRIETARY TO E-SWITCH AND IS NOT TO BE COPIED OR TRANSFERRED