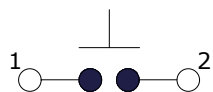
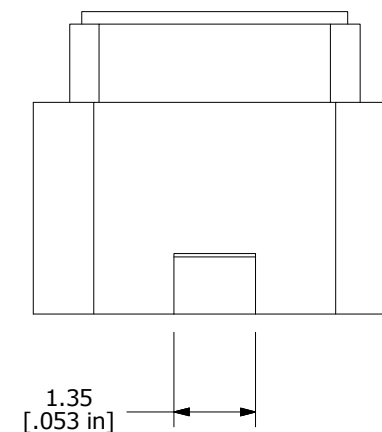
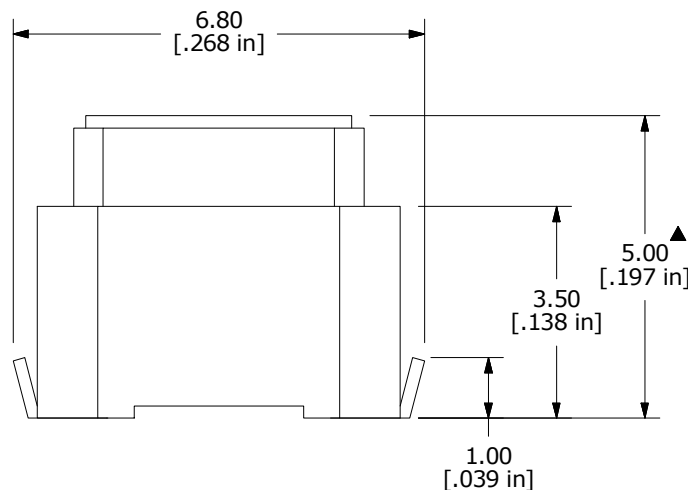


SCALE: 2:1



▲ CIRCUIT: SPST

ACTUATOR COLOR:
BROWN



NOTES:

1. ALL DIMENSIONS IN MM [INCH]
2. TERMINAL NUMBERS FOR REF. ONLY
3. TOLERANCE: X.X = ± 0.4
X.XX = ± 0.25
4. RATING: 50mA @ 12VDC
5. TRAVEL: 1.3 +/-0.2
- ▲ 6. OPERATING FORCE: 260 ± 50gF
7. ELECTRICAL LIFE: 100,000 CYCLES MIN.
8. CONTACT RESISTANCE: 100mΩ MAX.
9. CONTACT MATERIAL: SILVER
10. INSULATION RESISTANCE: >100M OHMS AT 100 VDC
11. DIELECTRIC STRENGTH: 250VAC FOR ONE MINUTE
12. OPERATING TEMPERATURE: -20C to +80C
13. PACKAGING: TAPE AND REEL, 3000 PIECES PER REEL
14. ▲ DENOTES CRITICAL PARAMETER
15. 2011/65/EU (ROHS) COMPLIANT

D	22854	change Note 13 to 3000 pieces	5/17/17	MW
C	22293	Added actuator color brown callout	5/4/16	MJR
B	22222	change Note 13 to 1500 pieces	3/25/16	MW
A	21520	New Release	7/21/14	rc
REV	PCR NO	DESCRIPTION	DATE	BY



TITLE TL9210AF260Q				
SCALE	DATE	DR	DWG	REV
8:1	7/21/2014	rc	P010921	D

THE INFORMATION CONTAINED IN THIS DOCUMENT IS PROPRIETARY TO E-SWITCH AND IS NOT TO BE COPIED OR TRANSFERRED