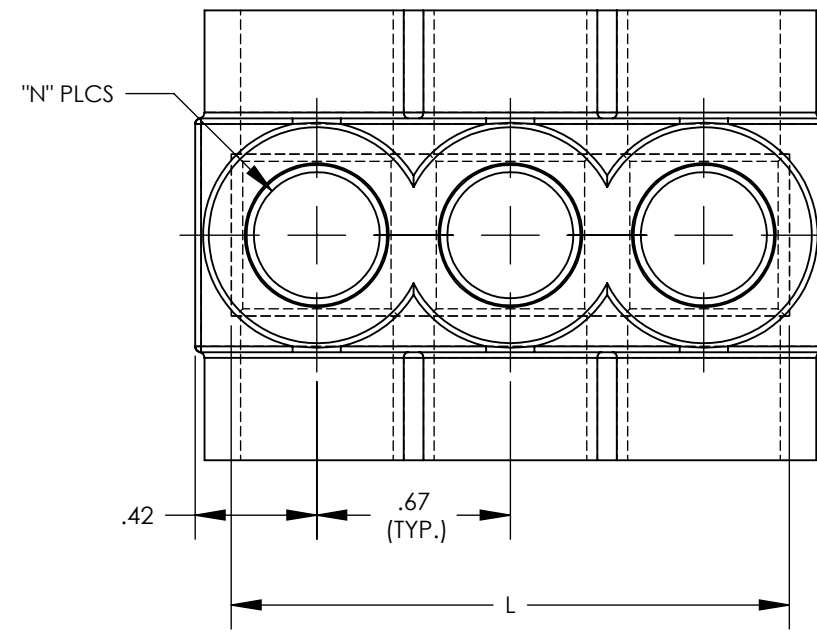
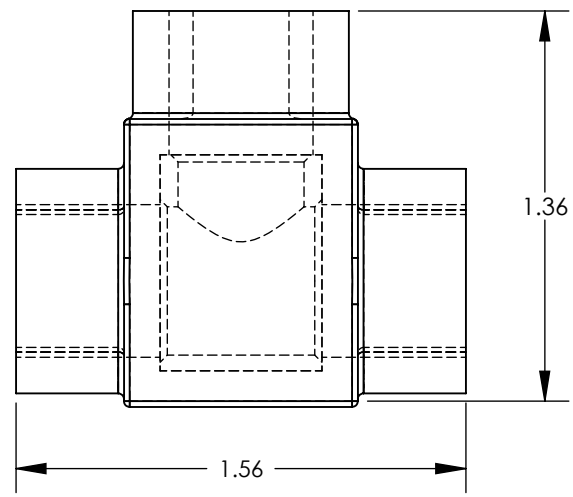
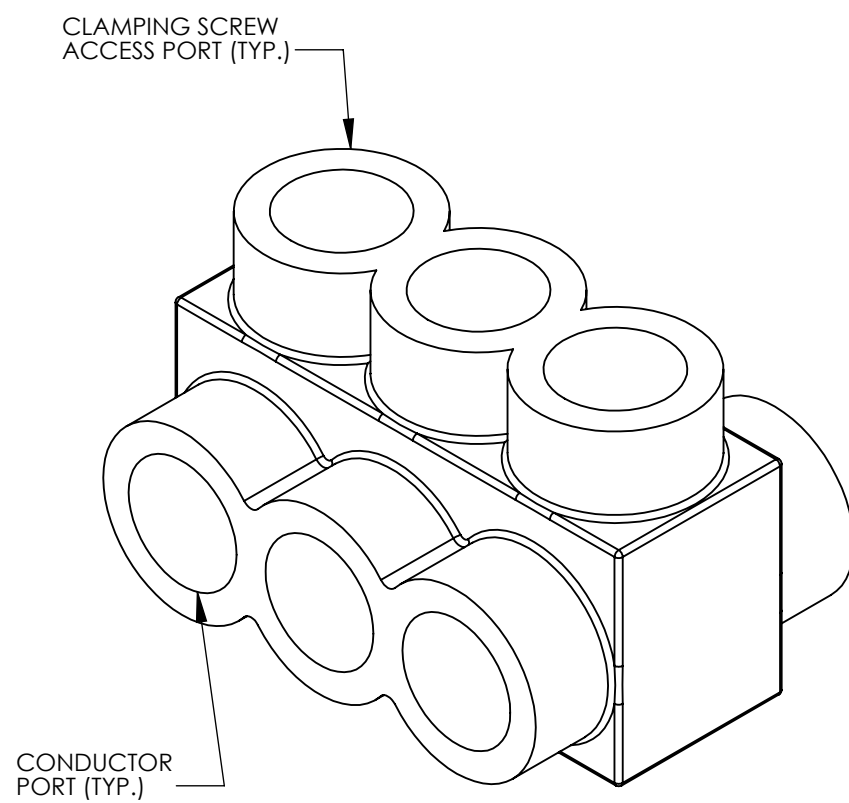
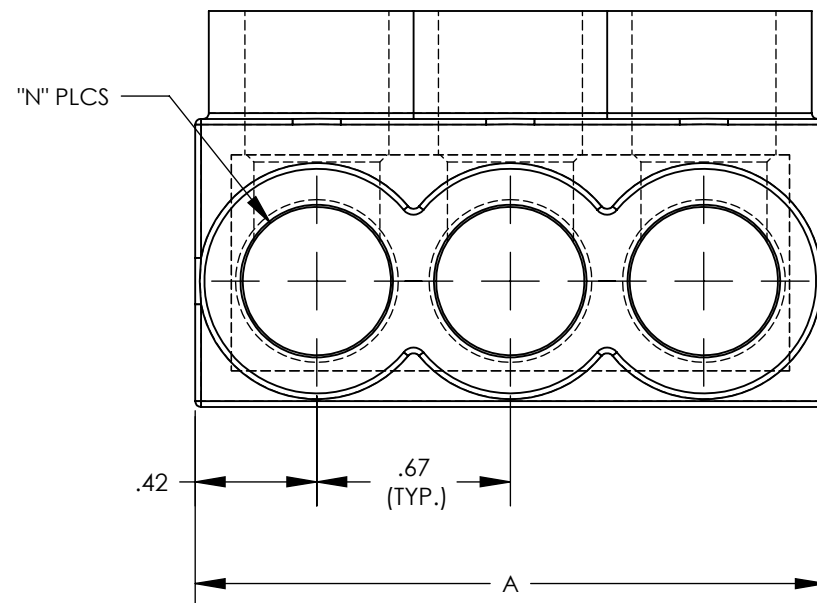


THIS COPY IS PROVIDED ON A RESTRICTED BASIS AND IS NOT TO BE USED IN ANY WAY DETRIMENTAL TO THE INTERESTS OF PANDUIT CORP.



THREE PORT CONNECTOR BLOCK SHOWN WITH PLASTIC CLOSURE PLUGS REMOVED. SEE TABLE FOR DIMENSIONS OF PARTS WITH ADDITIONAL PORTS



PANDUIT FINISHED GOODS P/N	CONDUCTOR RANGE	HEX KEY	SCREW QTY.	CAP (SCREW PORT) QTY.	CAP (WIRE PORT) QTY.	A	L	N	TIGHTENING TORQUE
PCSB210-2-12	# 2/0 - # 14 STR # 10 - # 14 SOL	3/16	2	2	4	1.52	1.265	2	120 in/lb
PCSB210-3-6		3/16	3	3	6	2.19	1.937	3	
PCSB210-4-6		3/16	4	4	8	2.86	2.609	4	
PCSB210-5-6		3/16	5	5	10	3.53	3.281	5	
PCSB210-6-6		3/16	6	6	12	4.20	3.953	6	
PCSB210-8-4		3/16	8	8	16	5.55	5.297	8	
PCSB210-10-2Y	# 2/0 - # 14 STR # 10 - # 14 SOL	3/16	10	10	20	6.89	6.641	10	
PCSB210-12-2Y		3/16	12	12	24	8.24	7.985	12	
PCSB210-14-1Y		3/16	14	14	28	9.58	9.329	14	



- NOTES:
- UL486A-UL486B LISTED, DUAL RATED CU9AL FOR ALUMINUM OR COPPER CONDUCTORS. MEETS OR EXCEEDS ANSI C119.4
 - SEE TABLE FOR WIRE RANGE.
 - STRIP LENGTH: .56 +.06/-0
 - FOR TIGHTENING TORQUE SEE TABLE
 - VOLTAGE RATING: 600 V. MAX. BUILDING WIRE, 1000 V. MAX. IN SIGNS & FIXTURES.
 - TEMPERATURE RATING: 90 °C (CU9AL).
 - CONNECTOR BLOCK BODY ARE MADE FROM ALUMINUM. CONDUCTOR PORTS IN CONNECTOR BLOCK ARE PREFILLED WITH AN OXIDE-INHIBITING COMPOUND.
 - CONNECTOR TO INCLUDE TIN PLATED ALUMINUM CLAMPING SCREWS FOR EACH CONDUCTOR PORT.
 - INSULATION MATERIAL IS CLEAR PVC.
 - CLAMPING SCREW ACCESS PORTS AND ALL WIRE ENTRY PORTS ARE PROVIDED WITH REMOVABLE PLASTIC CLOSURE PLUGS.
 - ALL DIMENSIONS SHOWN ARE NOMINAL.
 - ONLY ONE CONDUCTOR PER PORT ALLOWED.
 - PACKAGE QTY: -12 = 12 PCS.
-6 = 6 PCS.
-4 = 4 PCS.
 - THIS PART IS RoHS COMPLIANT

REV	DATE	BY	CHK	APR	DESCRIPTION	ECN
09	2/13	JHNU	JHNU	RGB	REVISED TITLE BLOCK	N41244BB-C41244

TITLE MULTI-TAP INSULATED CONNECTORS PCSB 2/0 SERIES CUSTOMER DRAWING	
ITEM REVISION NAME N41244BB-C41244/09	PANDUIT
DATASET FILE NAME C41244/09.SLDDRW	
UNLESS OTHERWISE SPECIFIED, DIMENSIONAL TOLERANCES ARE: IN [mm] .X ± .XX ± .02	
MATERIAL SEE NOTES	
DRAWING NUMBER C41244_09	
DRAWN BY MS	DATE 8/99
CHK RLS	SCALE NONE
SHEET 1 OF 1	
SIZE B	