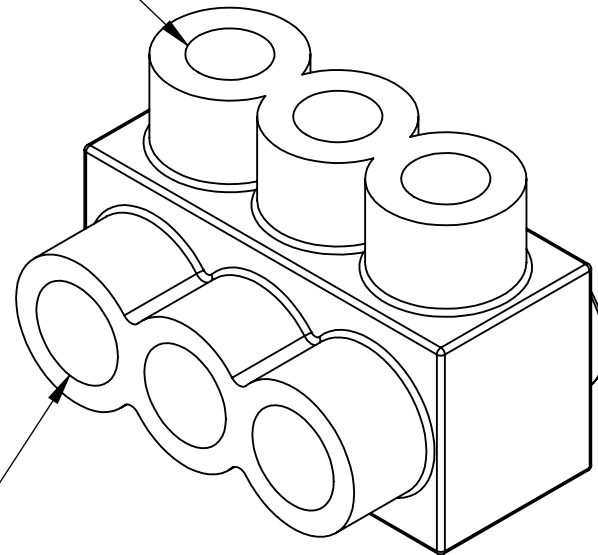
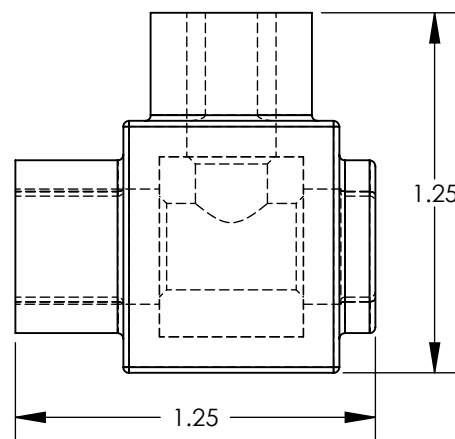
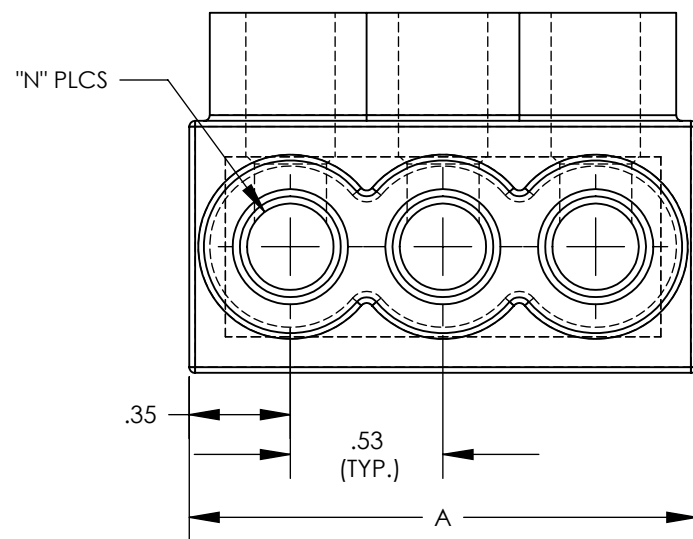


CLAMPLING SCREW ACCESS PORT (TYP.)

CONDUCTOR PORT (TYP.)



THREE PORT CONNECTOR BLOCK SHOWN WITH PLASTIC CLOSURE PLUGS REMOVED. SEE TABLE FOR DIMENSIONS OF PARTS WITH ADDITIONAL PORTS



PANDUIT FINISHED GOODS P/N	CONDUCTOR RANGE	HEX KEY	SCREW QTY.	CAP (SCREW PORT) QTY.	CAP (WIRE PORT) QTY.	A	L	N	TIGHTENING TORQUE
PCSB2/0-2S-6	# 2/0 - # 14 STR # 10 - # 14 SOL	3/16	2	2	2	1.52	1.265	2	12.0 in/lb
PCSB2/0-3S-6Y		3/16	3	3	3	2.19	1.937	3	
PCSB2/0-4S-6Y		3/16	4	4	4	2.86	2.609	4	
PCSB2/0-5S-4Y		3/16	5	5	5	3.53	3.281	5	
PCSB2/0-6S-4Y		3/16	6	6	6	4.20	3.953	6	
PCSB2/0-8S-3Y		3/16	8	8	8	5.55	5.297	8	
PCSB2/0-10S-2Y		3/16	10	10	2.0	6.89	6.641	10	
PCSB2/0-12S-1Y		3/16	12	12	2.4	8.24	7.985	12	
PCSB2/0-14S-1Y		3/16	14	14	2.8	9.58	9.329	14	



NOTES:

- UL486A-UL486B LISTED, DUAL RATED CU9AL FOR ALUMINUM OR COPPER CONDUCTORS. MEETS OR EXCEEDS ANSI C119.4
- SEE TABLE FOR WIRE RANGE.
- STRIP LENGTH: .63 +.06/-0
- FOR TIGHTENING TORQUE SEE TABLE
- VOLTAGE RATING: 600 V. MAX. BUILDING WIRE, 1000 V. MAX. IN SIGNS & FIXTURES.
- TEMPERATURE RATING: 90 °C (CU9AL).
- CONNECTOR BLOCK BODY ARE MADE FROM ALUMINUM. CONDUCTOR PORTS IN CONNECTOR BLOCK ARE PREFILLED WITH AN OXIDE-INHIBITING COMPOUND.
- CONNECTOR TO INCLUDE TIN PLATED ALUMINUM CLAMPING SCREWS FOR EACH CONDUCTOR PORT.
- INSULATION MATERIAL IS CLEAR PVC.
- CLAMPING SCREW ACCESS PORTS AND ALL WIRE ENTRY PORTS ARE PROVIDED WITH REMOVABLE PLASTIC CLOSURE PLUGS.
- ALL DIMENSIONS SHOWN ARE NOMINAL.
- ONLY ONE CONDUCTOR PER PORT ALLOWED.
- PACKAGE QTY: -12 = 12 PCS.
-6 = 6 PCS.
-4 = 4 PCS.
-3 = 3 PCS.
-2 = 2 PCS.
- THIS PART IS RoHS COMPLIANT

REV	DATE	BY	CHK	APR	DESCRIPTION	ECN
06	2/13	JHNU	JHNU	RGB	REVISED TITLE BLOCK	N41523BB-C41523

TITLE MULTI-TAP INSULATED CONNECTORS PCSB2/0 SERIES SINGLE SIDED CUSTOMER DRAWING	
ITEM REVISION NAME	N41523BB-C41523/06
DATASET FILE NAME	C41523/06.SLDDRW
UNLESS OTHERWISE SPECIFIED, DIMENSIONAL TOLERANCES ARE: IN [mm] .X ± .XX ± .02	
.XXX ± ANGLES ±	
THIRD ANGLE PROJECTION	
DRAWN BY	MS
DATE	8/99
CHK	RLS
SCALE	NONE
DRAWING NUMBER C41523_06	
SHEET 1 OF 1	
SIZE B	



SEE NOTES

